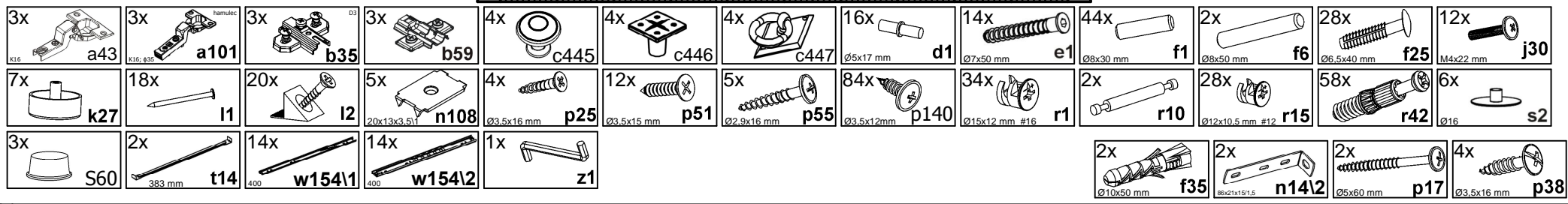
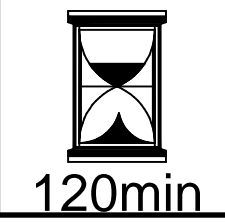
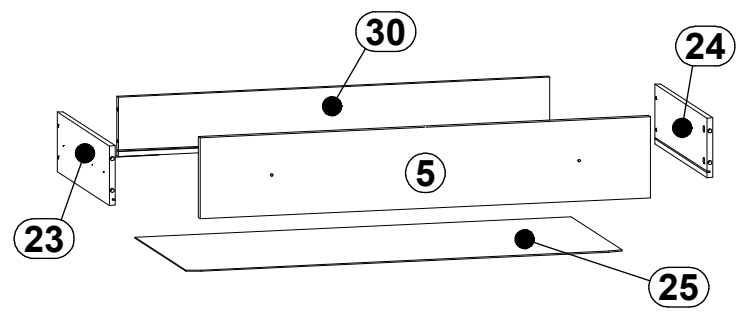
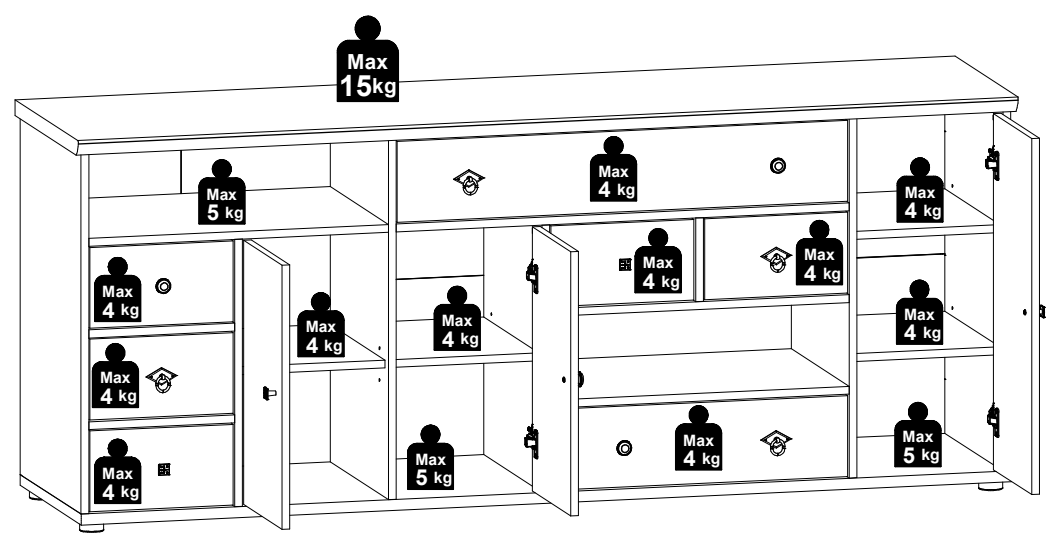
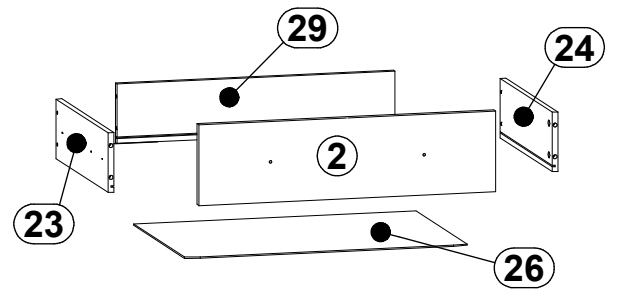
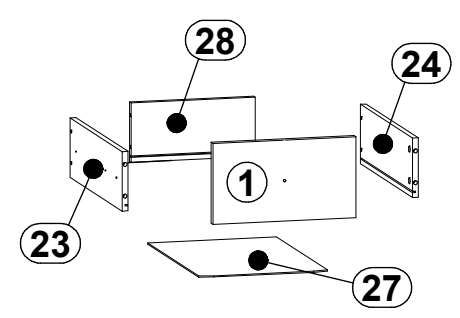
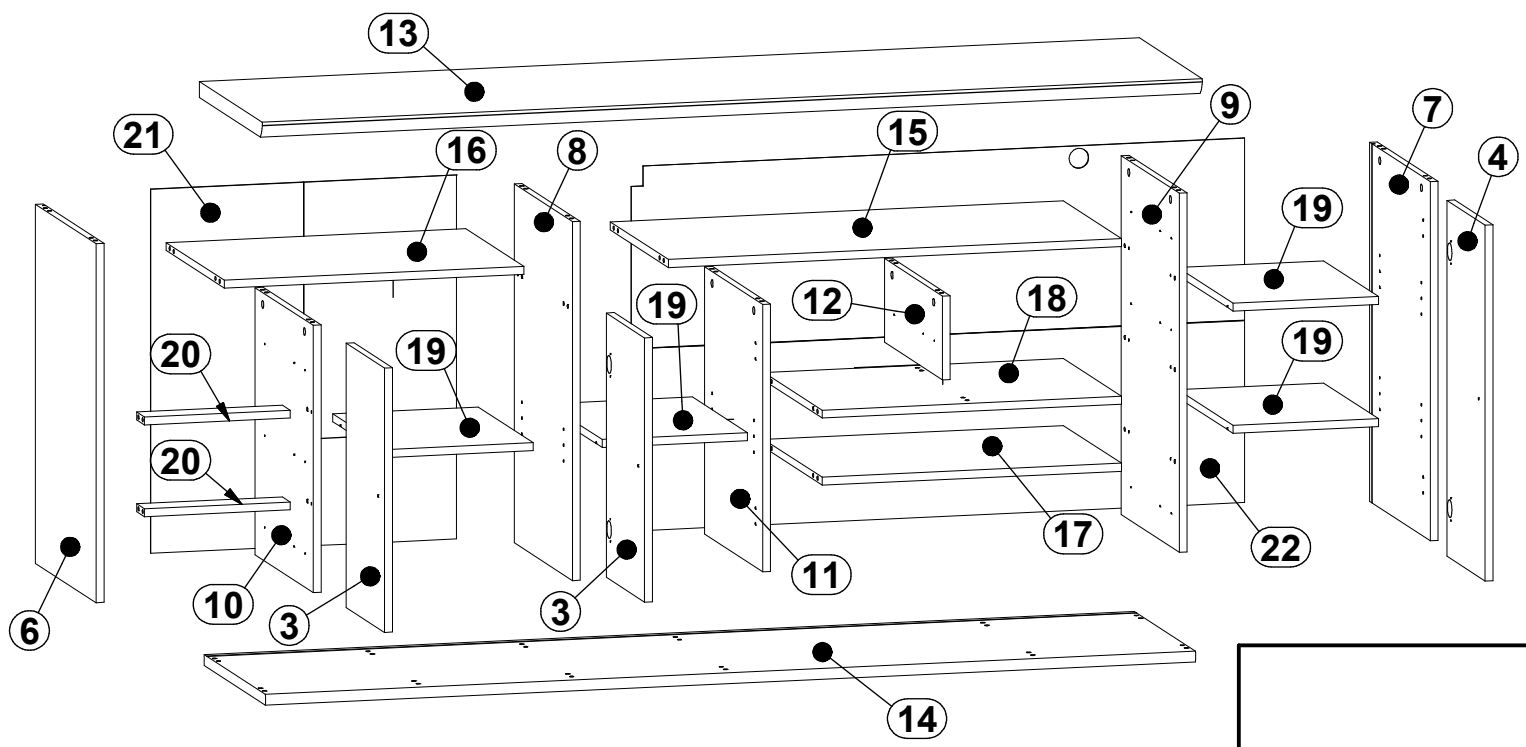
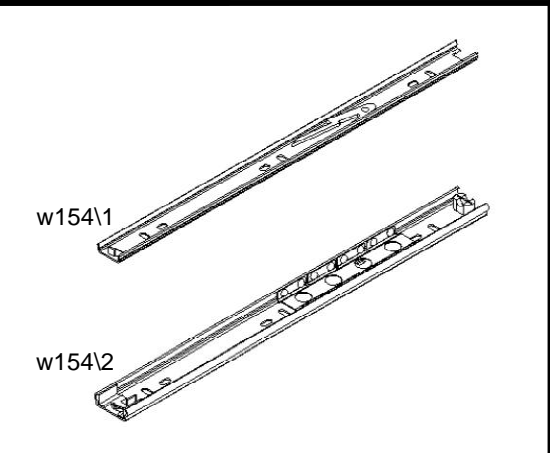
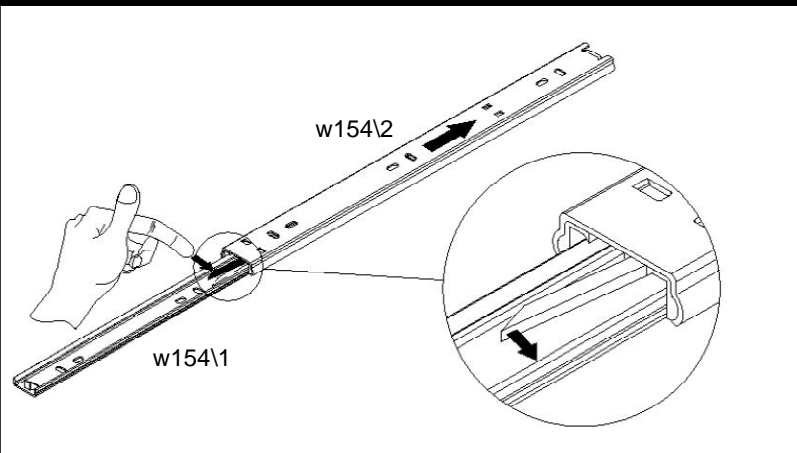


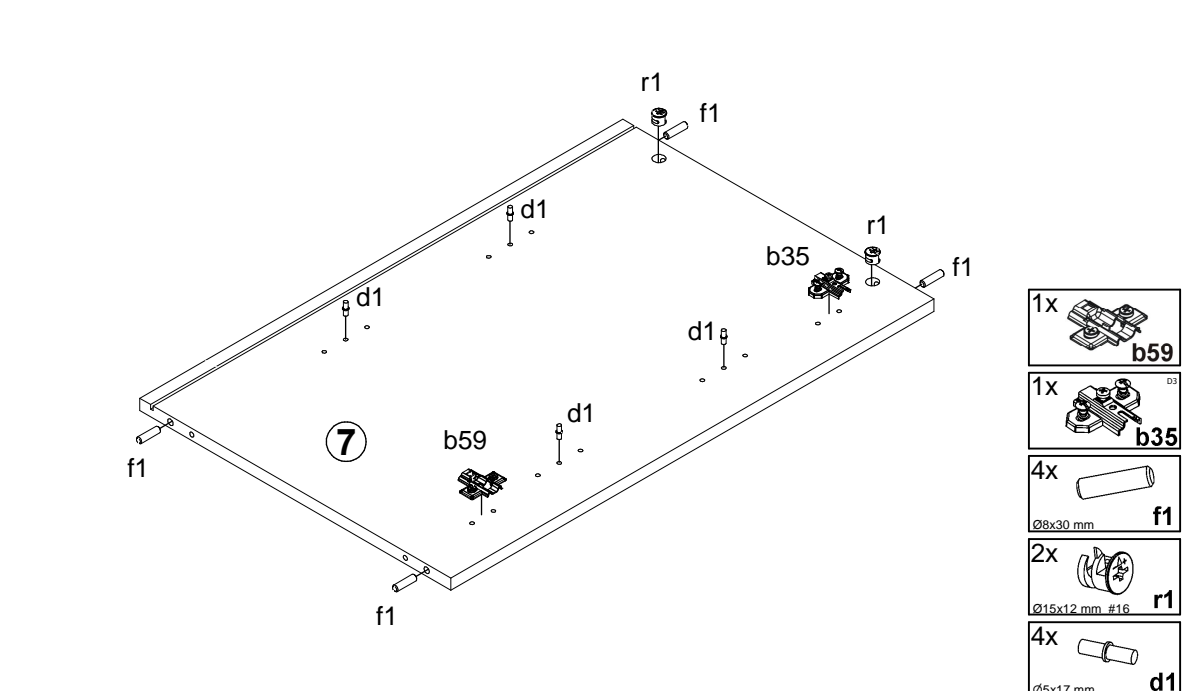
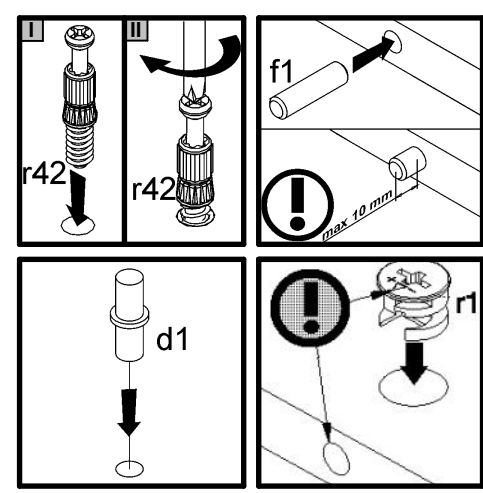
A	B	C (mm)		D	A	B	C (mm)		D
1	S248-0009	163	294	4/4	16	S248-3013	616	446	1/4
2	S248-0012	163	610	4/4	17	S248-3014	616	446	1/4
3	S248-0013	533	294	4/4	18	S248-3017	616	446	1/4
4	S248-0014	718	294	4/4	19	S248-3018	299	423	3/4
5	S248-0015	163	926	4/4	20	S248-4003	300	60	3/4
6	S248-1019	724	466	1/4	21	S248-9302	734	629	1/4
7	S248-1020	724	466	1/4	22	S248-9303	1261	735	2/4
8	S248-1021	724	446	1/4	23	WSK3-507	400	120	3/4
9	S248-1022	724	446	1/4	24	WSK3-508	400	120	3/4
10	S248-1023	539	446	1/4	25	WSP-9092	897	398	4/4
11	S248-1024	539	446	1/4	26	WSP-9093	581	398	2/4
12	S248-1025	169	446	1/4	27	WSP-9094	265	398	3/4
13	S248-2006	1933	484	2/4	28	WTR-5026	255	120	3/4
14	S248-2007	1913	471	2/4	29	WTR-5027	571	120	3/4
15	S248-3012	932	446	3/4	30	WTR-5028	887	120	3/4



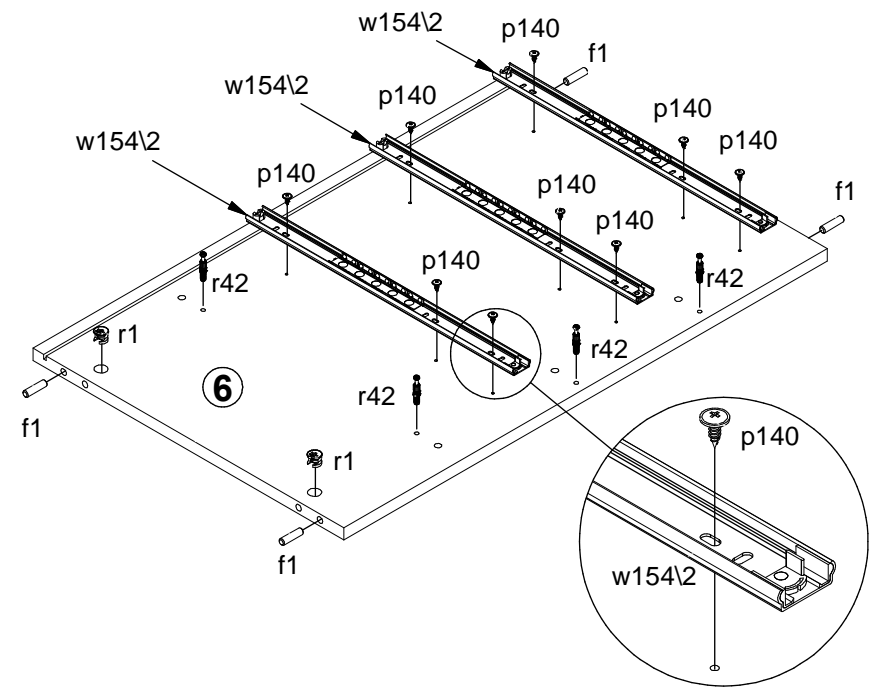




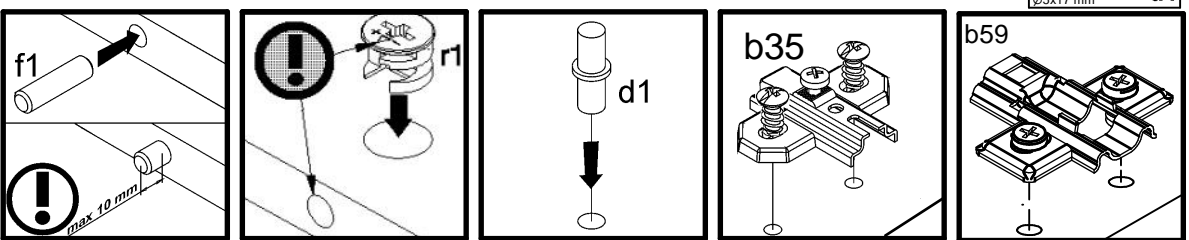
1

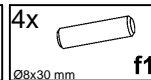
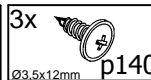
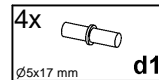
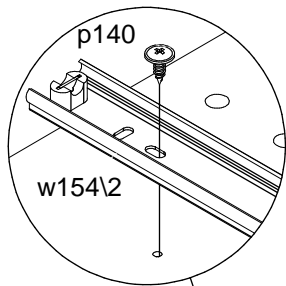
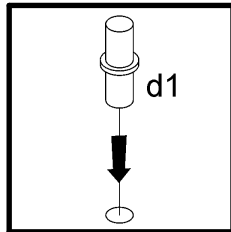
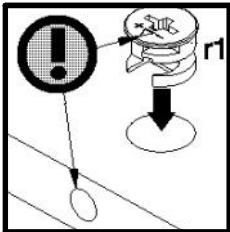
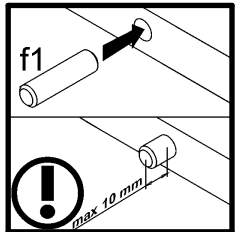


- 1x **b59**
- 1x **b35**
- 4x **f1**
Ø8x30 mm
- 2x **r1**
Ø15x12 mm #16
- 4x **d1**
Ø5x17 mm

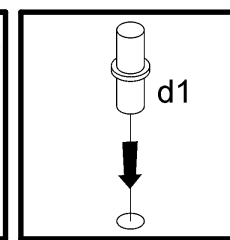
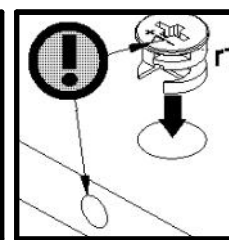
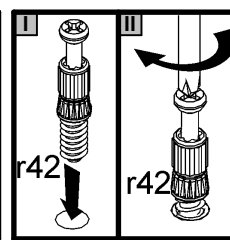
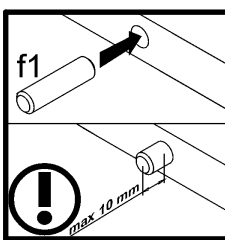
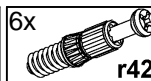
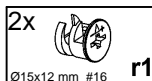
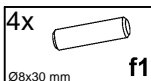
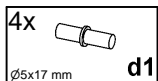
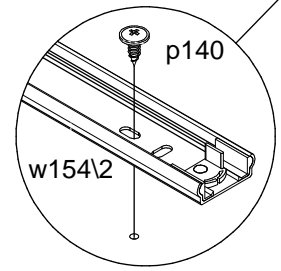
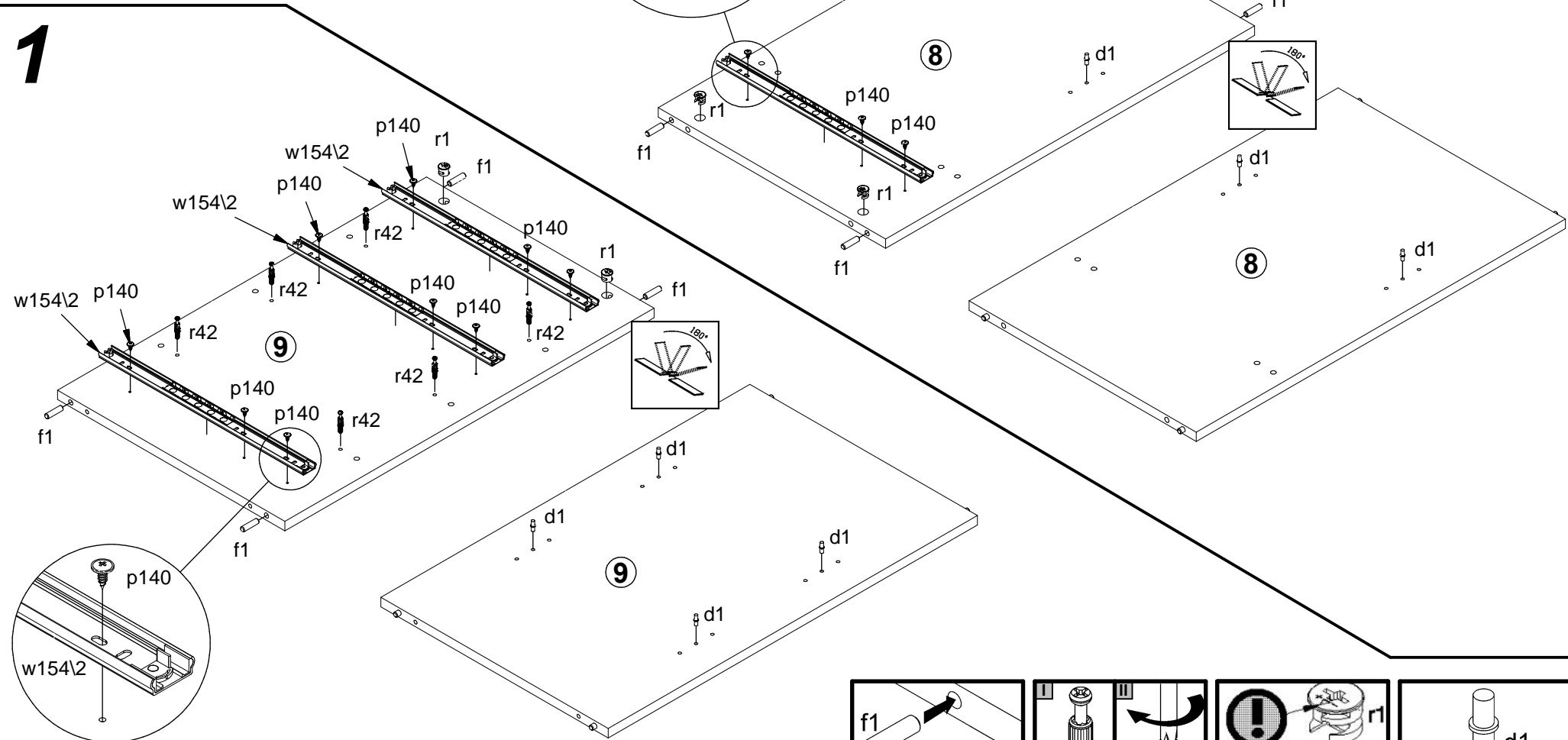


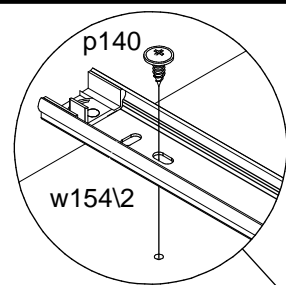
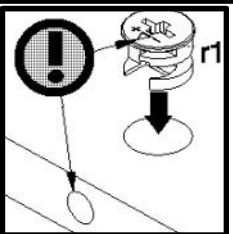
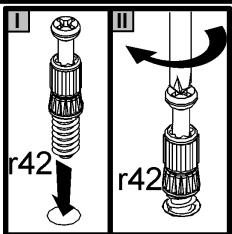
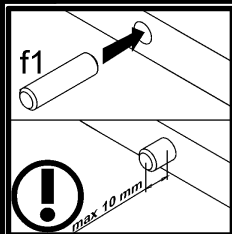
- 3x **w154\2**
400
- 9x **p140**
Ø3,5x12mm
- 4x **f1**
Ø8x30 mm
- 2x **r1**
Ø15x12 mm #16
- 4x **r42**



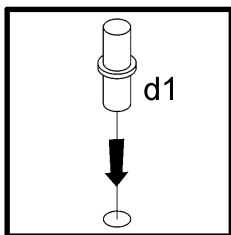
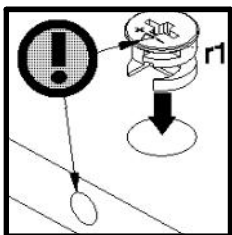
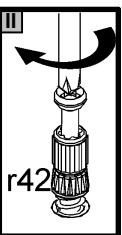
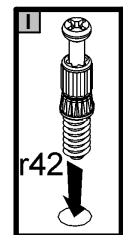
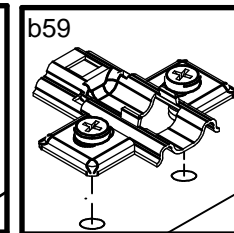
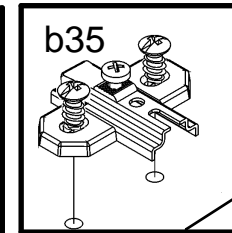
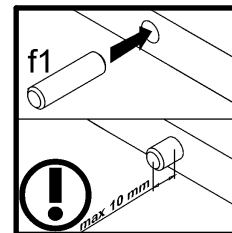
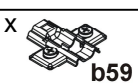
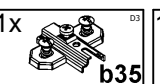
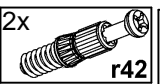
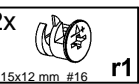
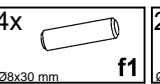
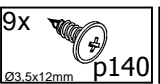
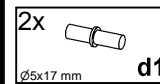
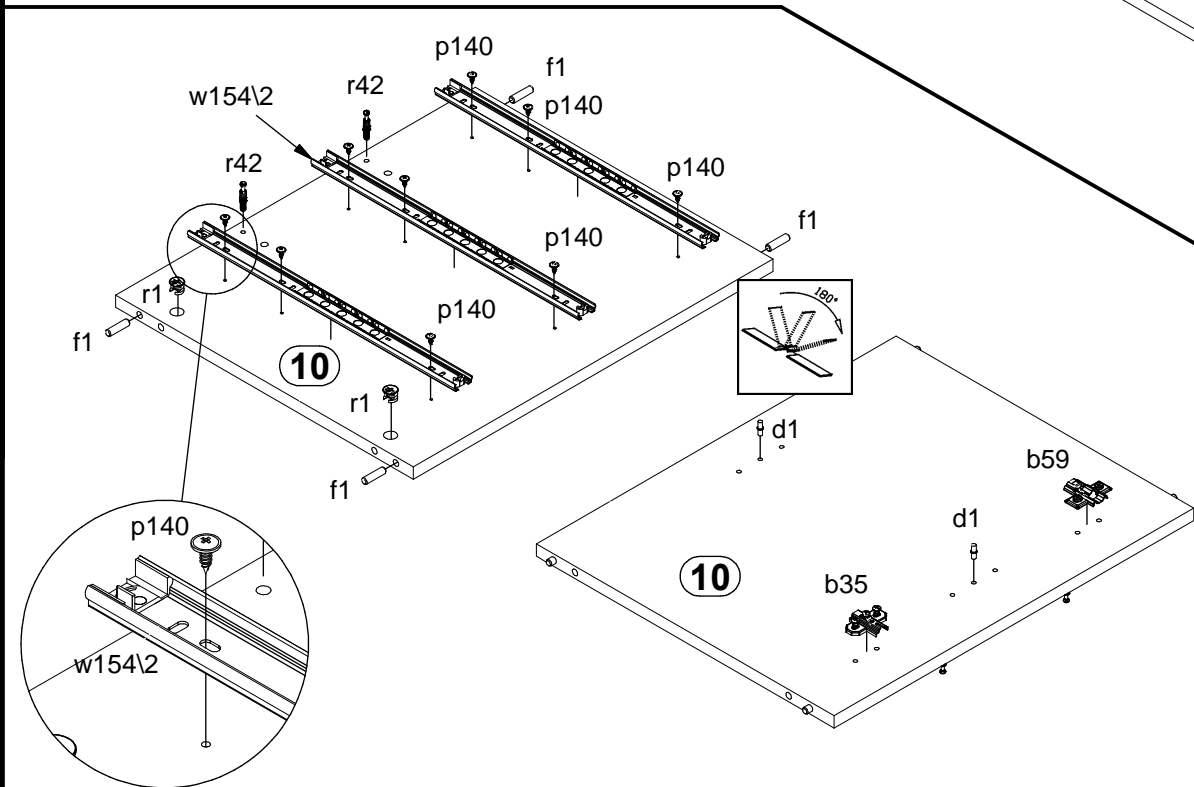
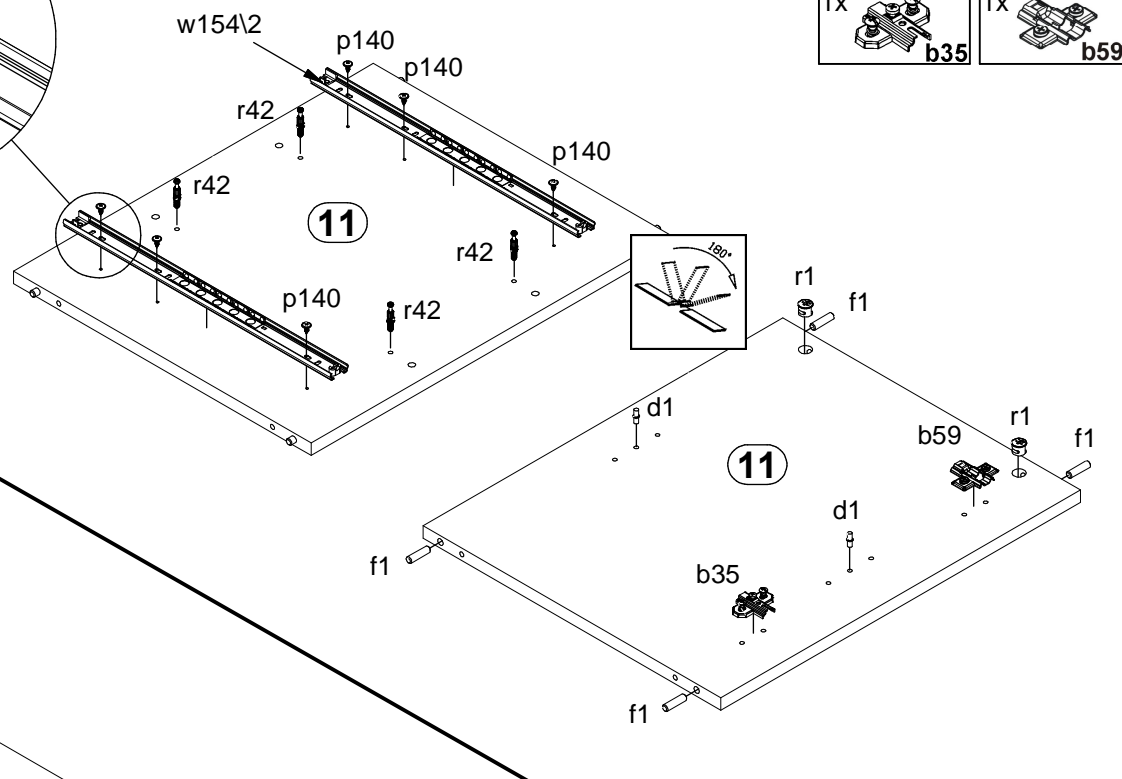
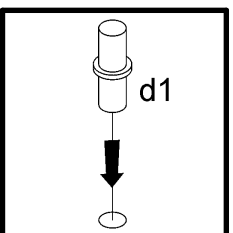
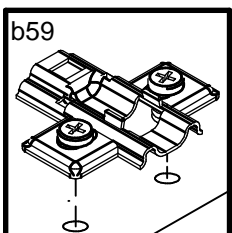
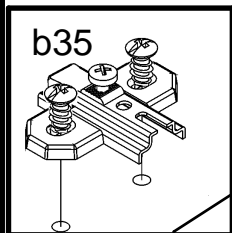
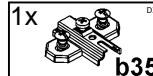
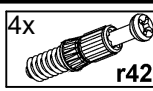
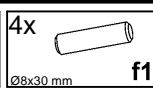
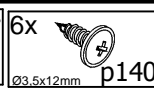
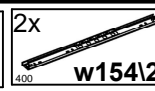
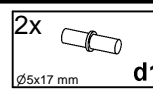


1





1

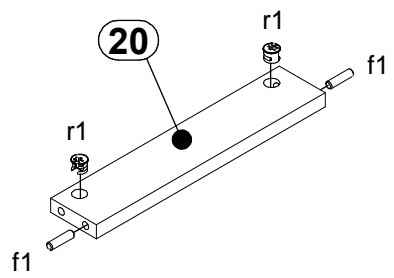
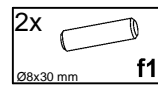
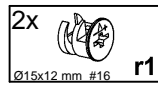
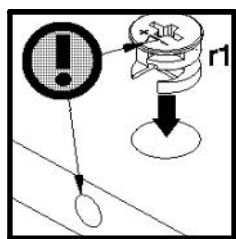
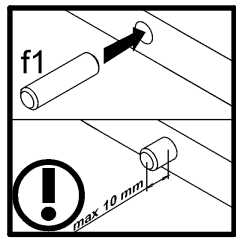


A

S248-KOM3D7S/8/19

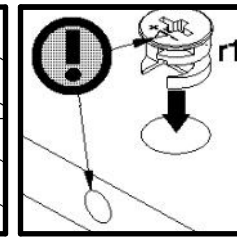
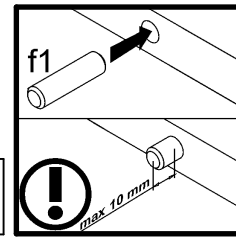
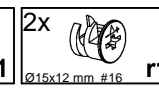
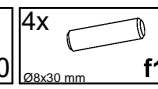
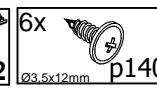
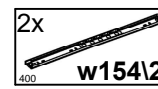
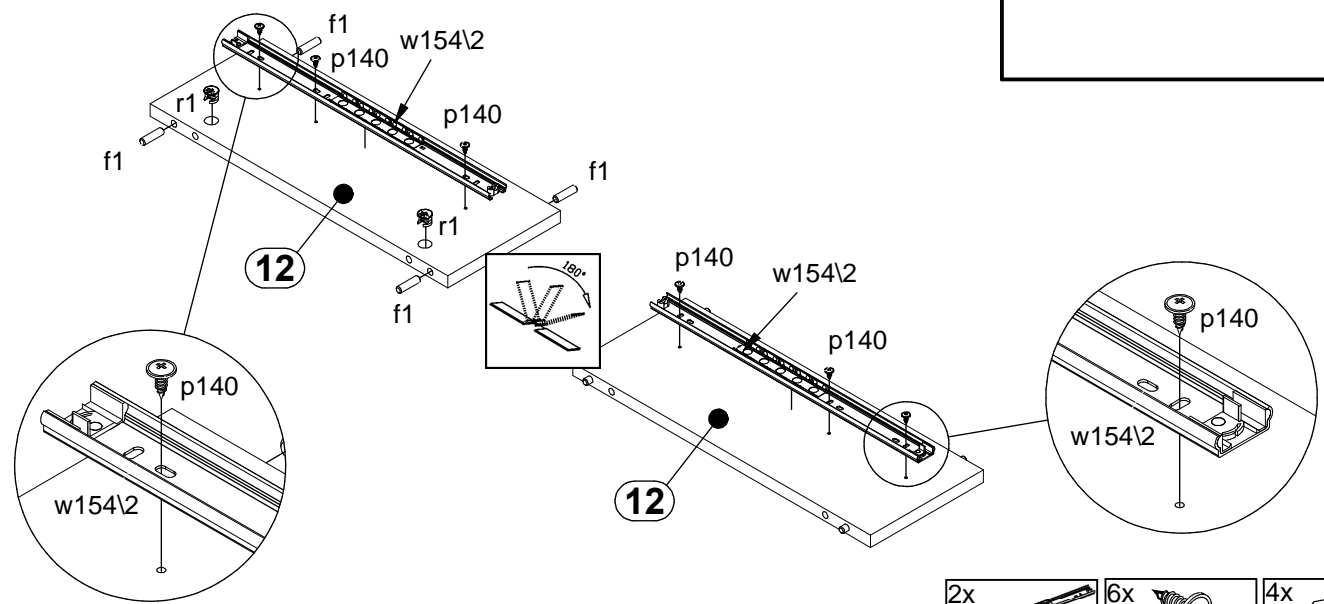
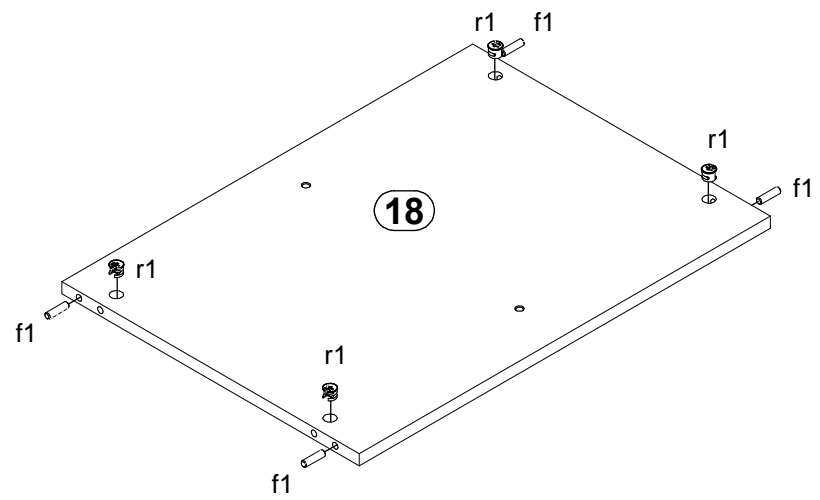
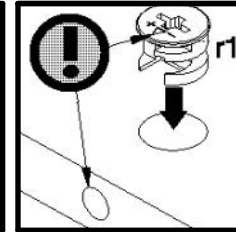
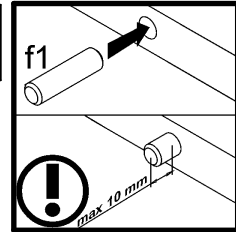
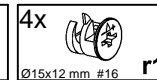
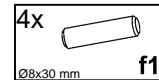
10D0--20

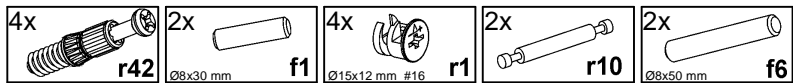
7 / 20



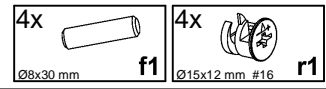
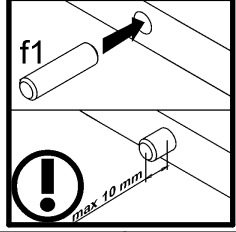
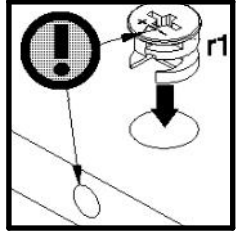
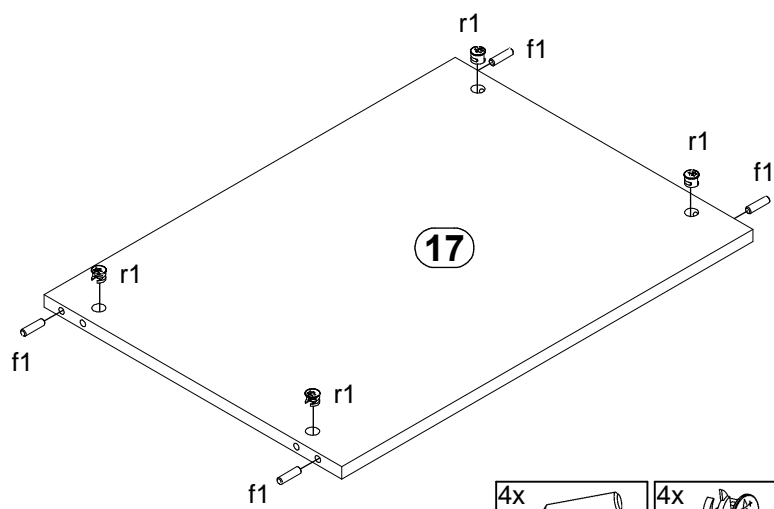
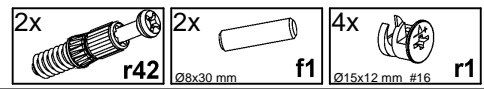
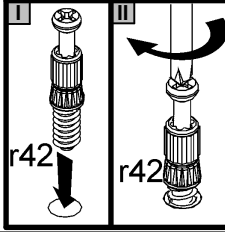
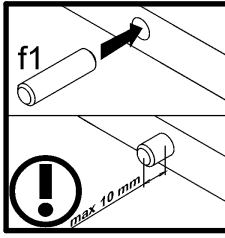
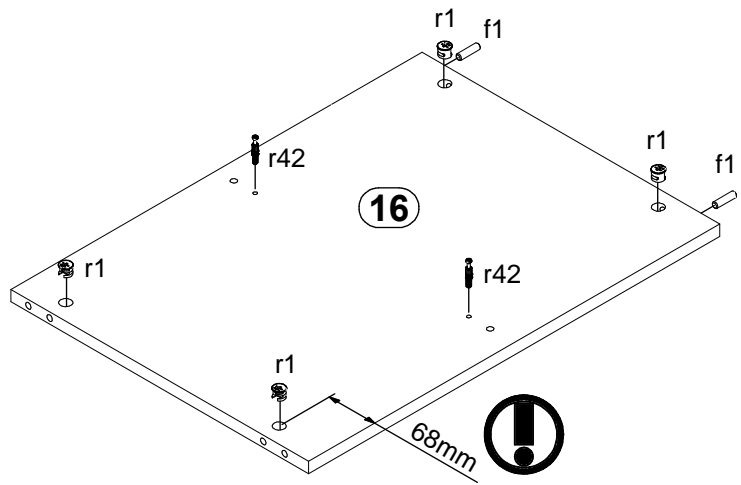
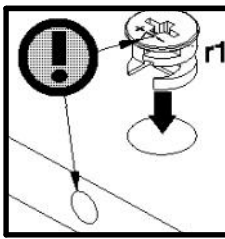
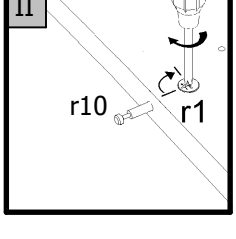
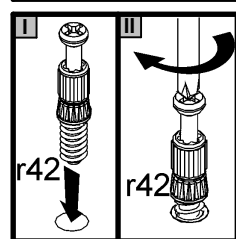
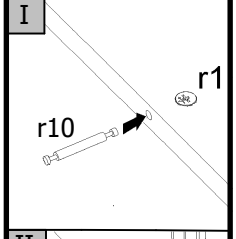
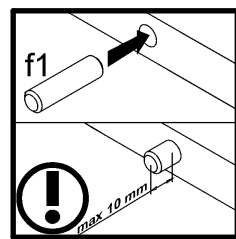
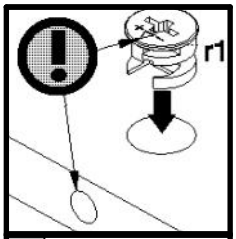
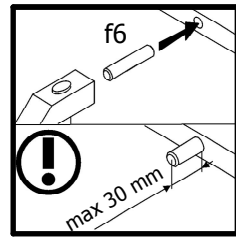
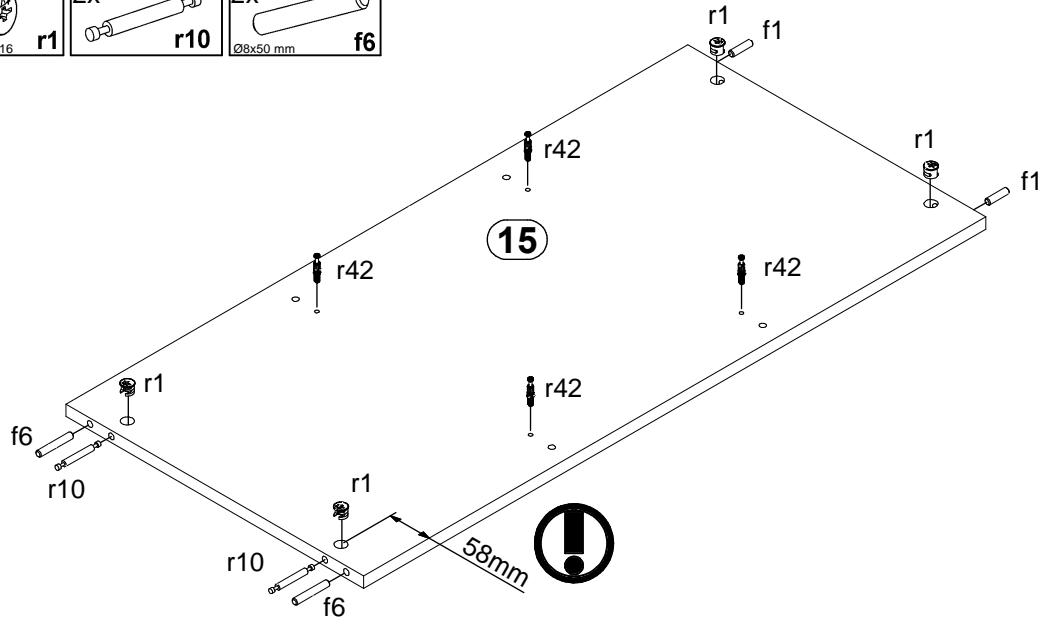
2x

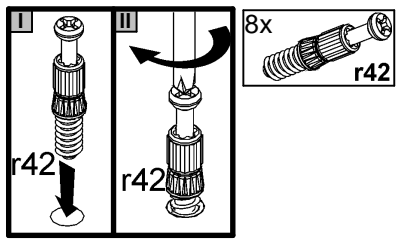
1





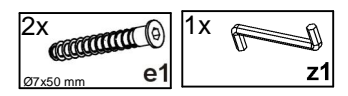
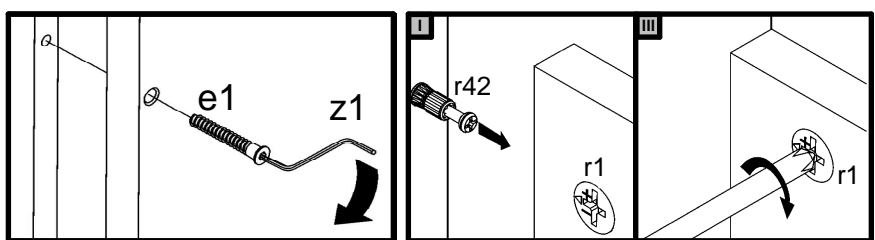
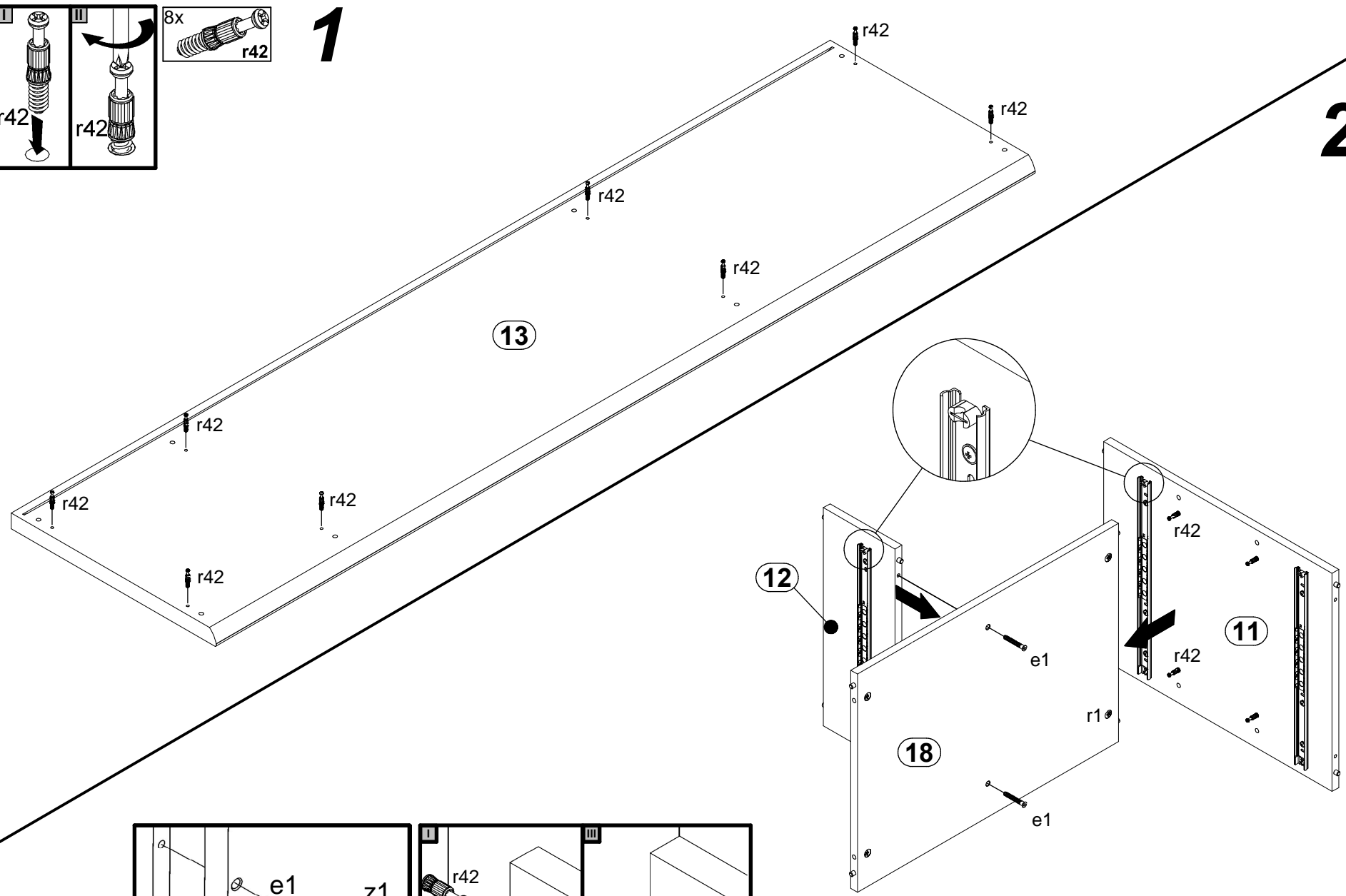
1

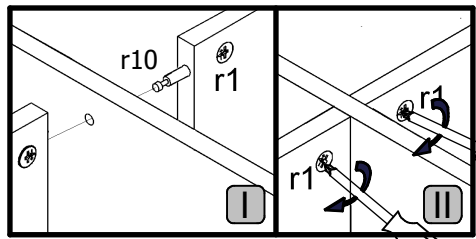




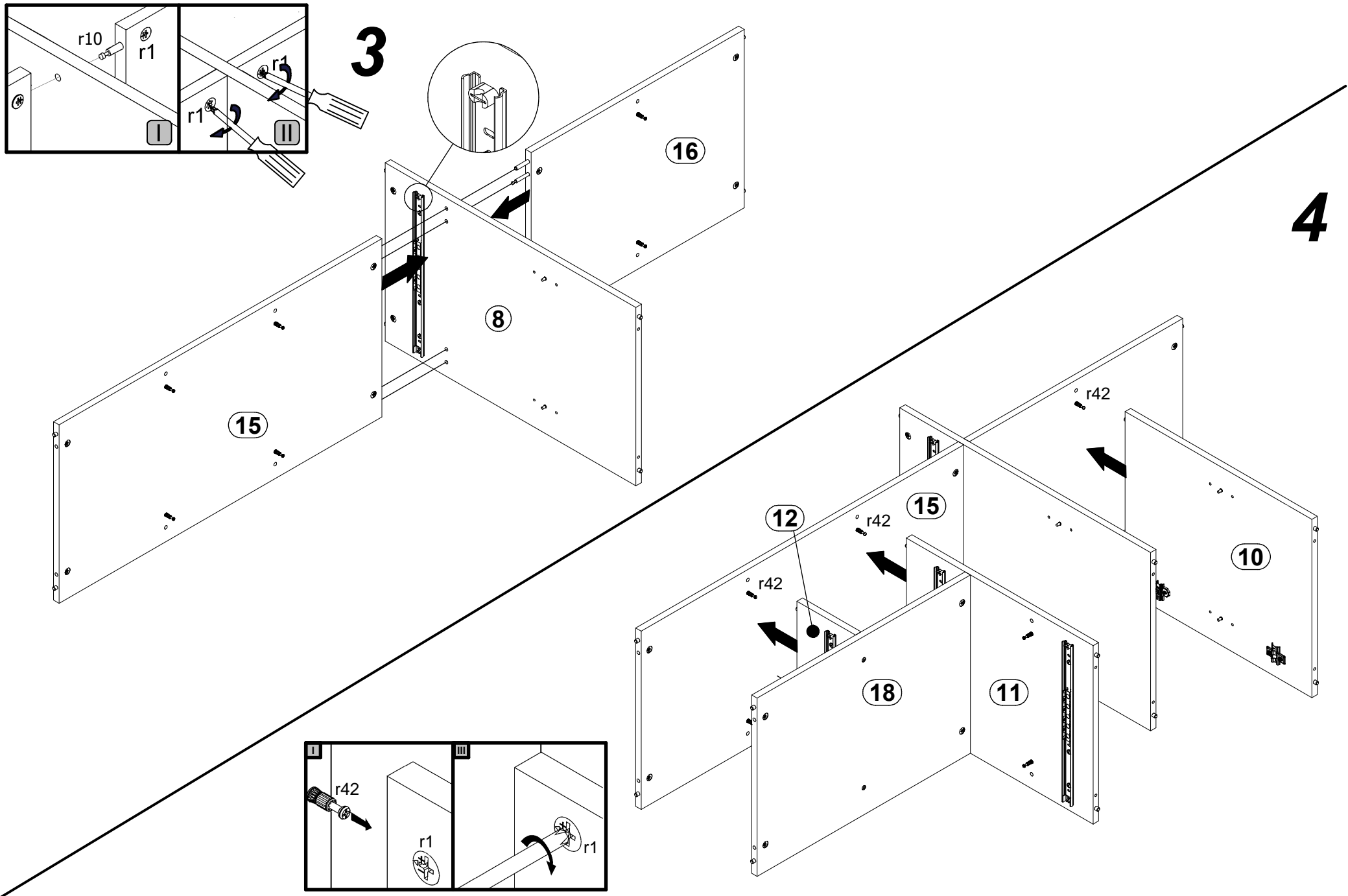
1

2

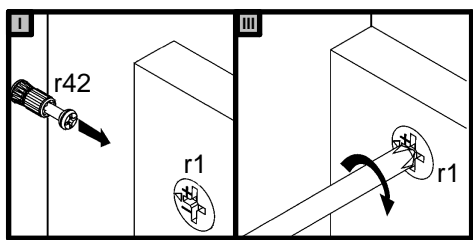


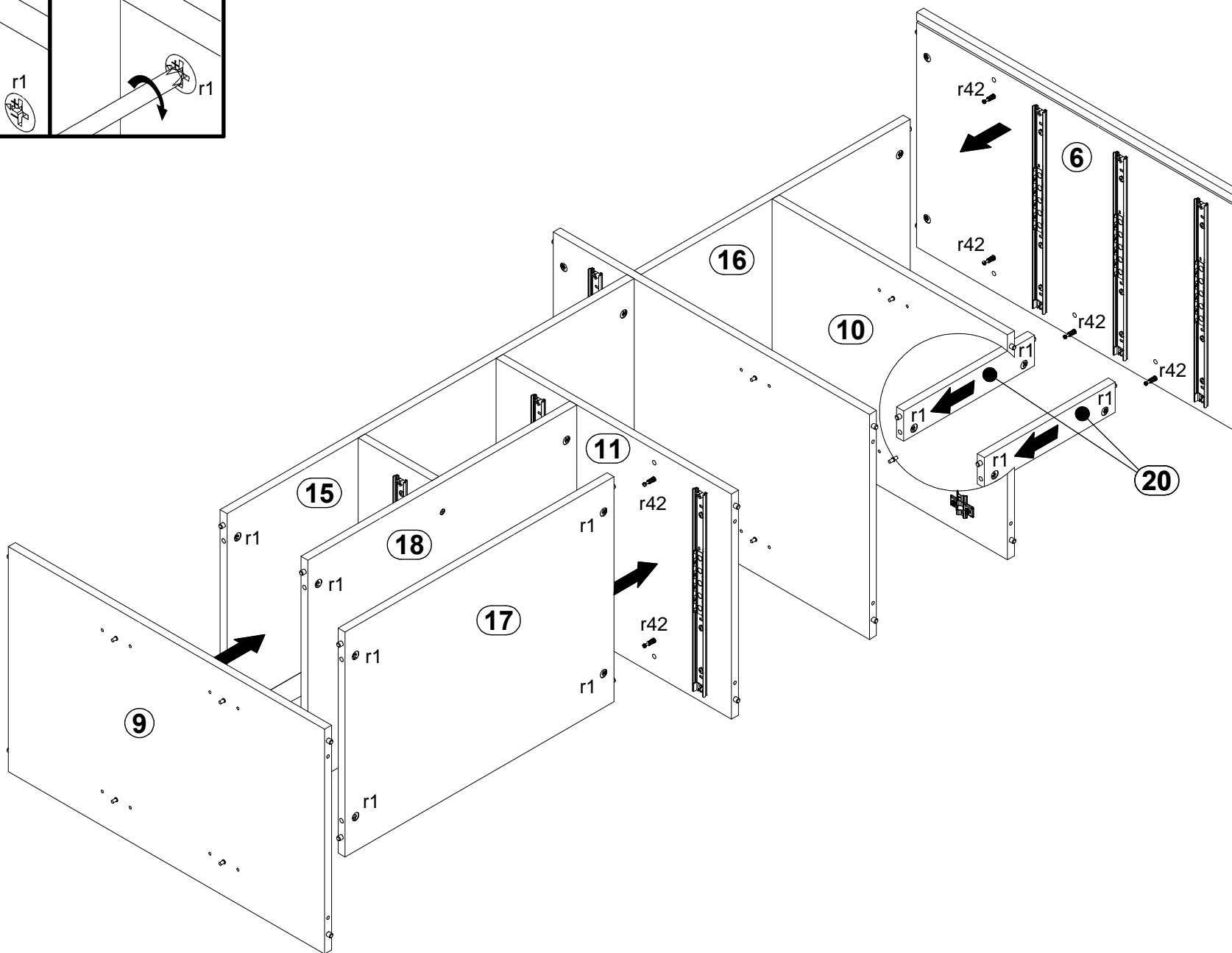
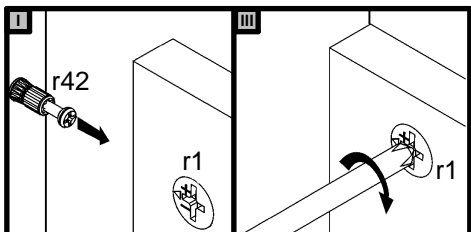


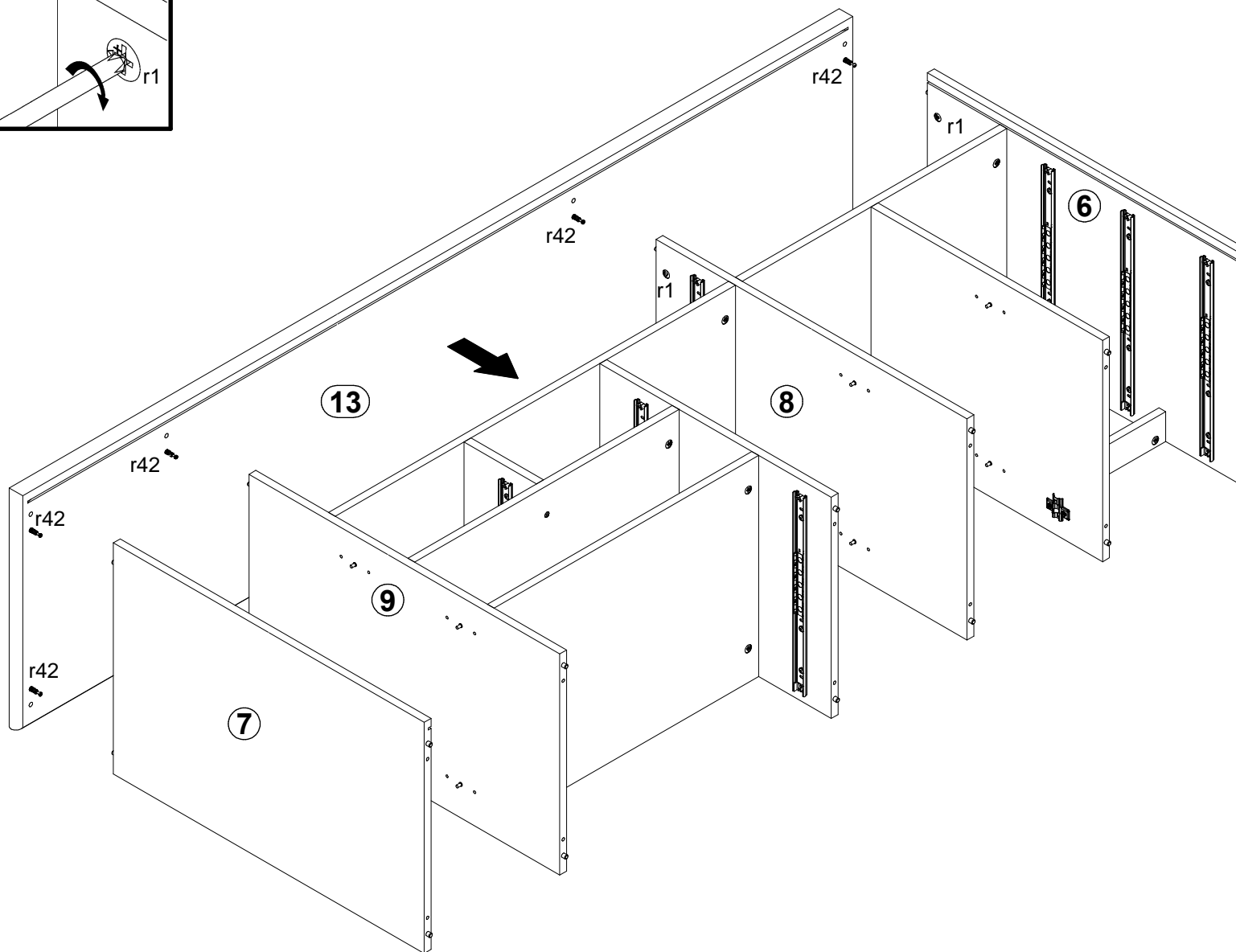
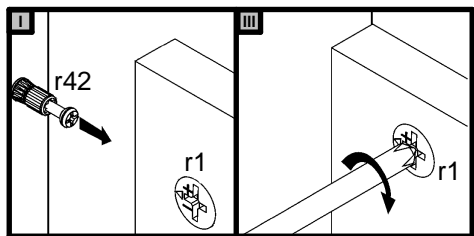
3



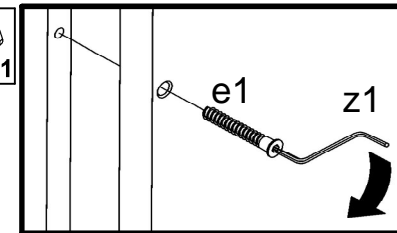
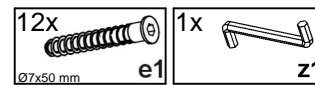
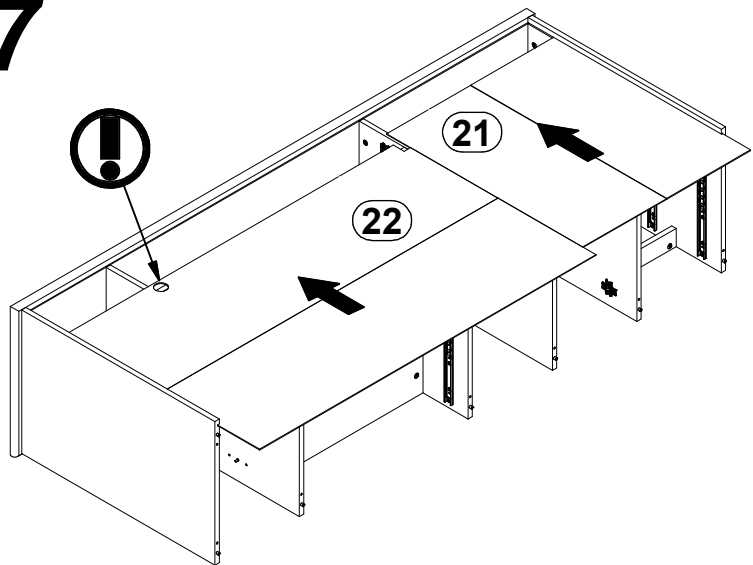
4



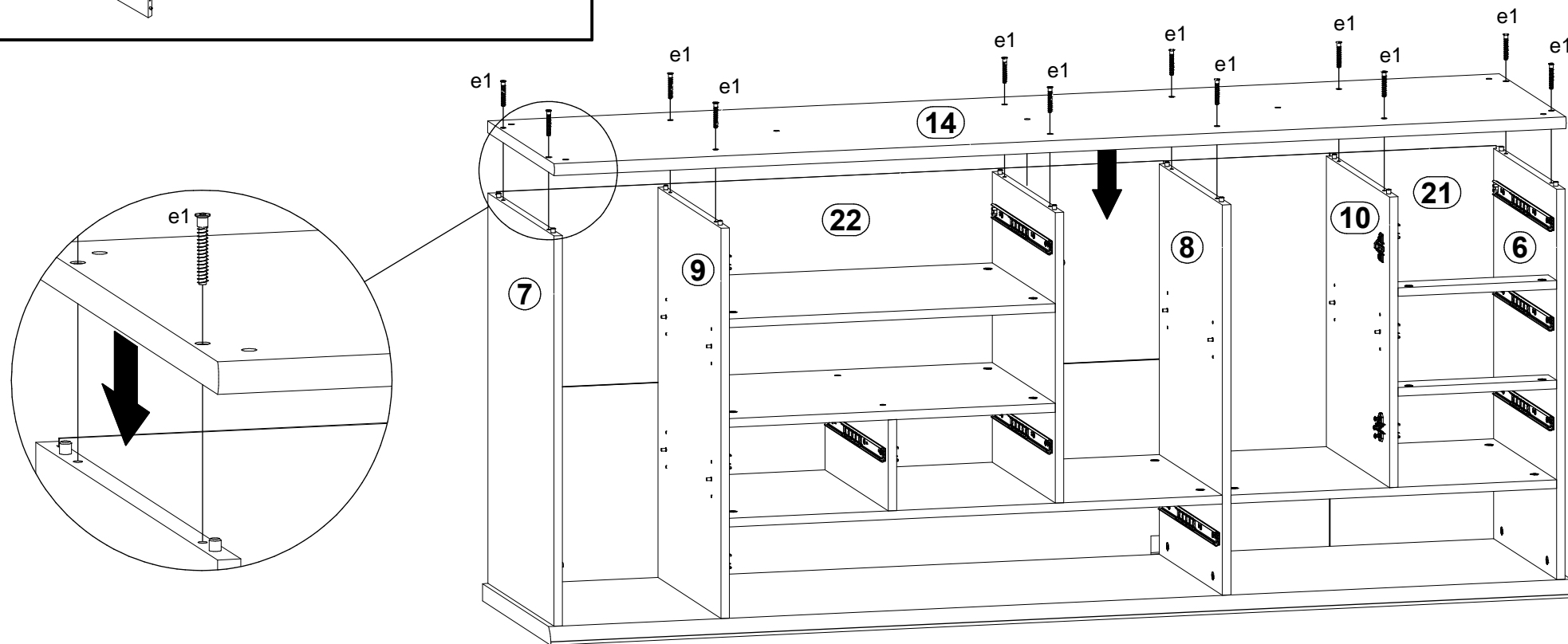


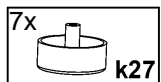
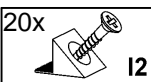
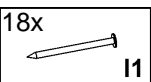
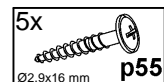
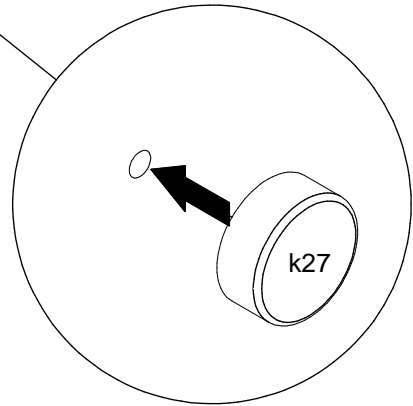
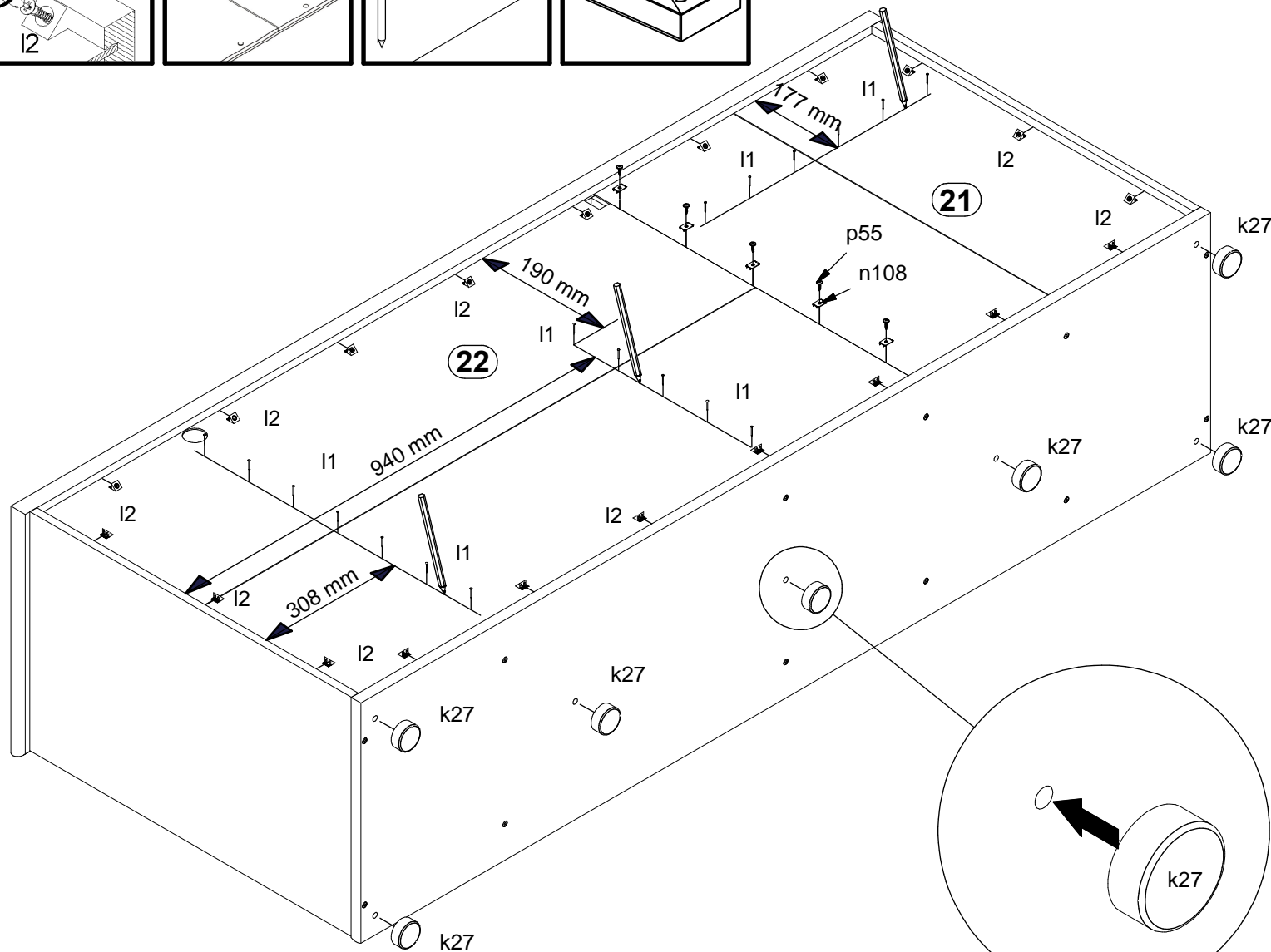
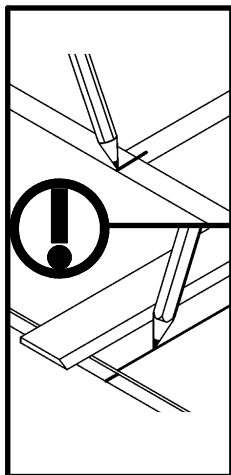
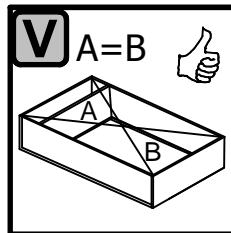
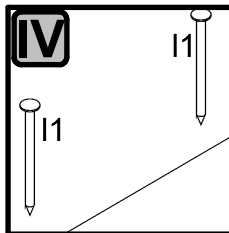
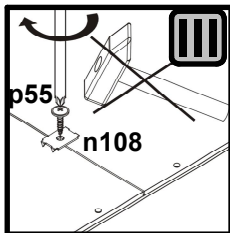
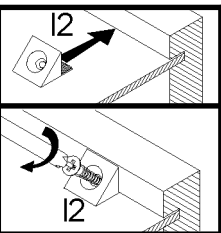
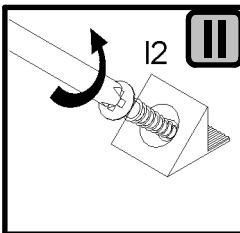
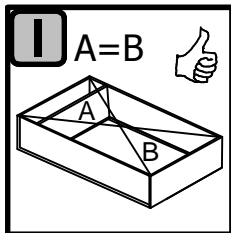


7



8



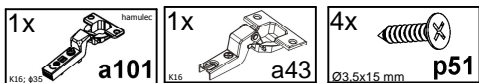
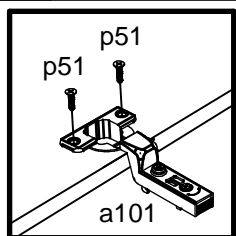


A

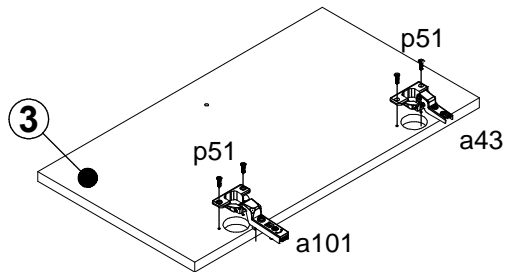
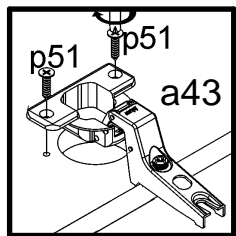
S248-KOM3D7S/8/19

10D0--20

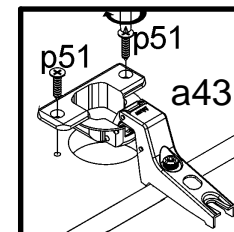
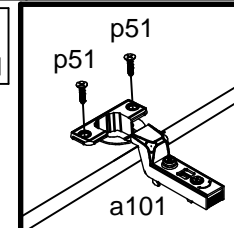
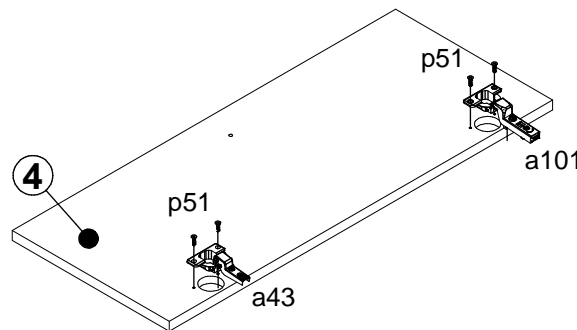
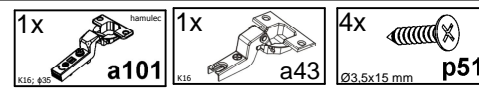
15 /20



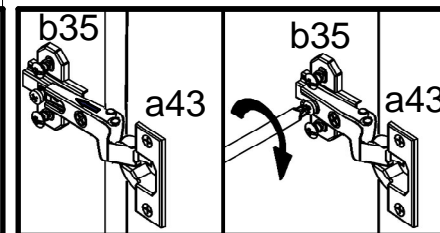
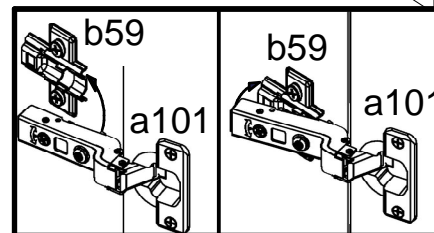
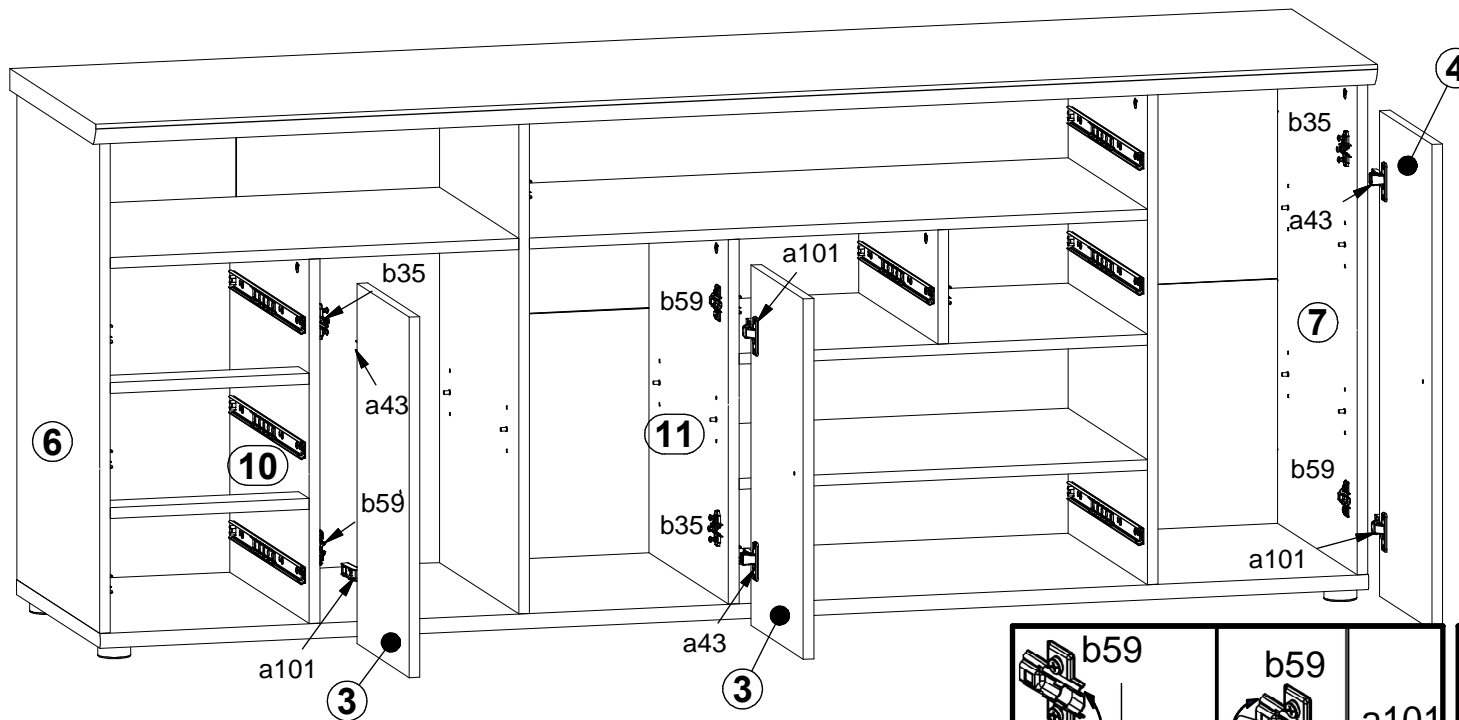
10

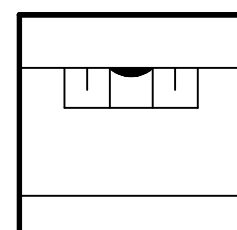
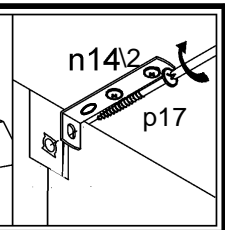
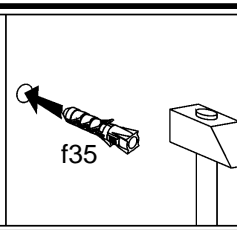
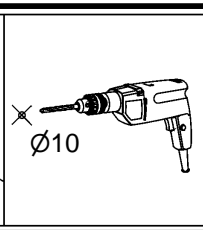
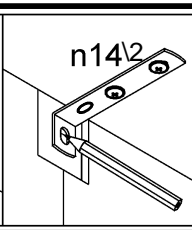
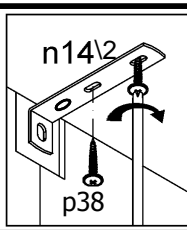
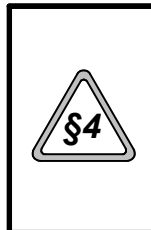
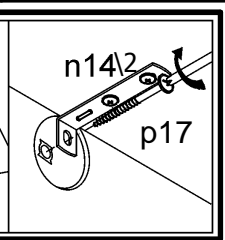
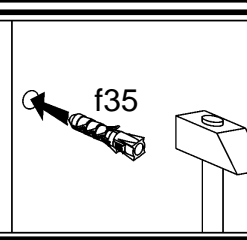
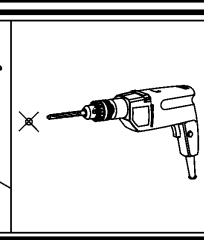
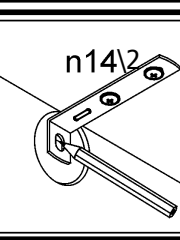
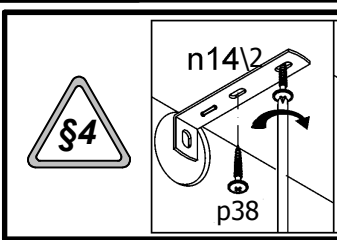


2x

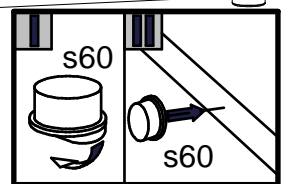
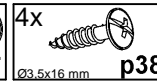
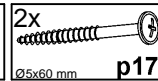
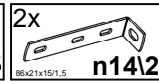
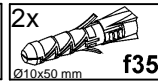
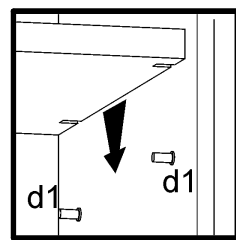
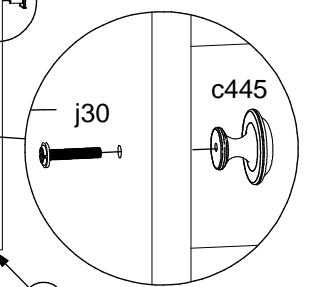
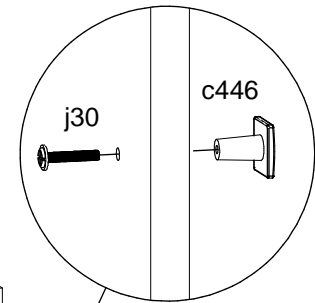
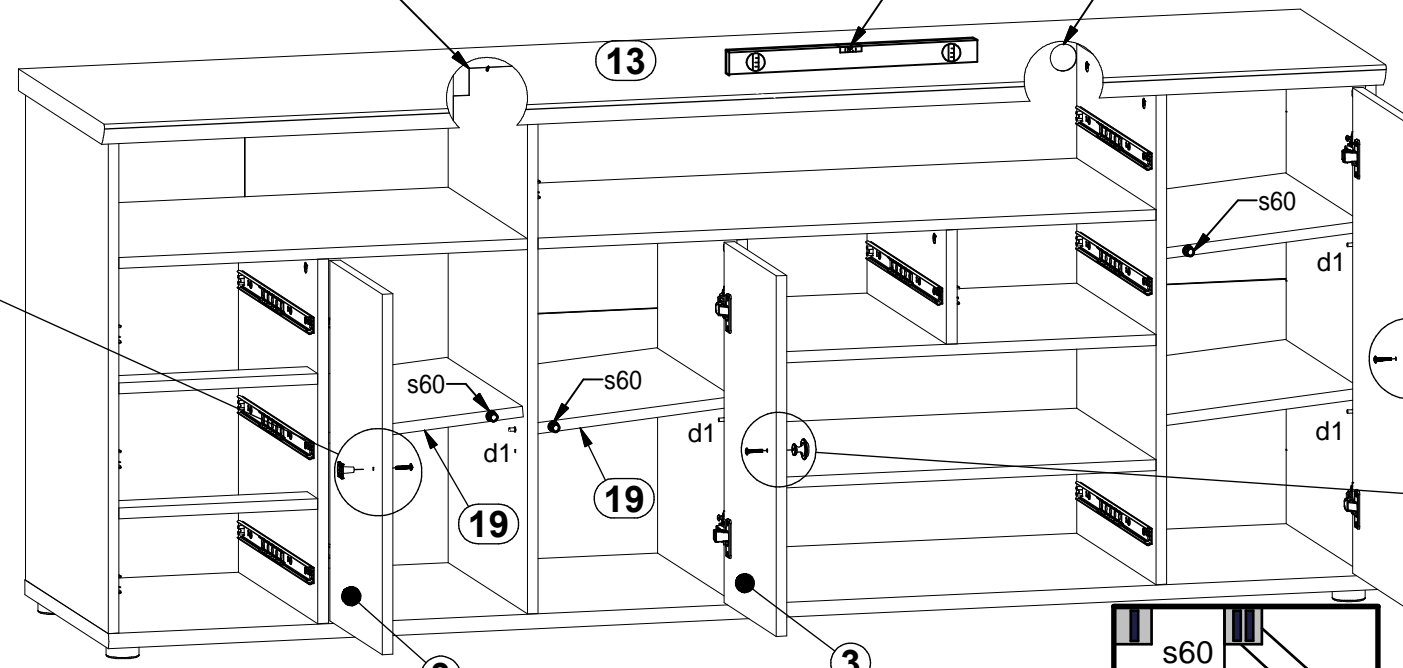
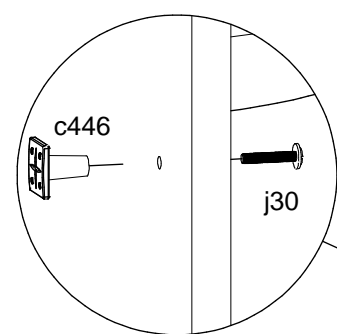


11






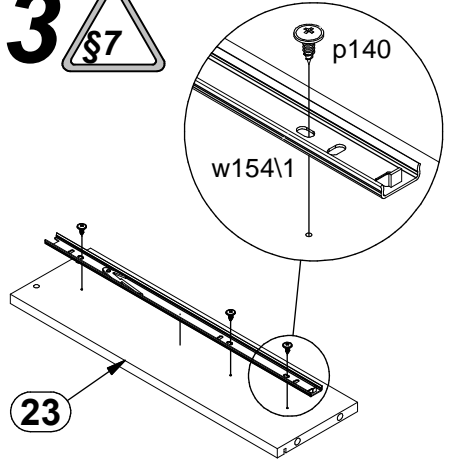
12


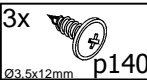


4



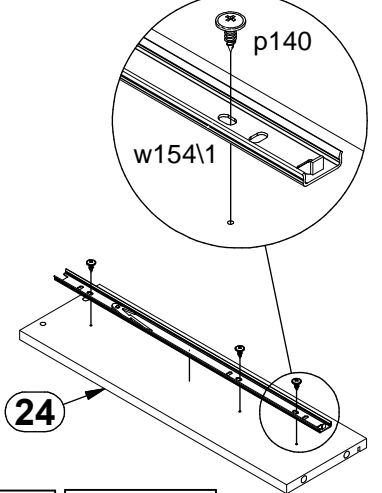
13  **I**

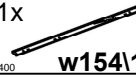
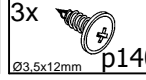


1x  w154\1
3x  p140

7x

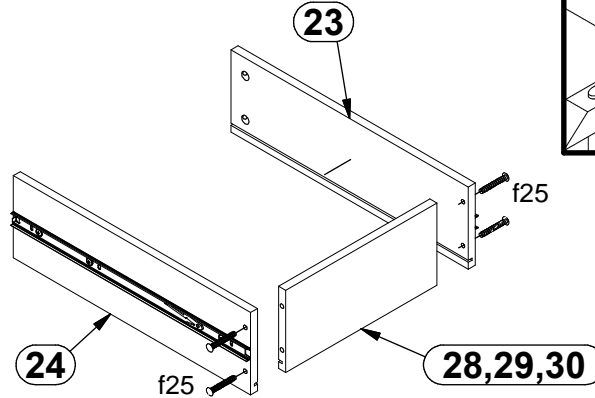
II

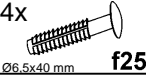


1x  w154\1
3x  p140

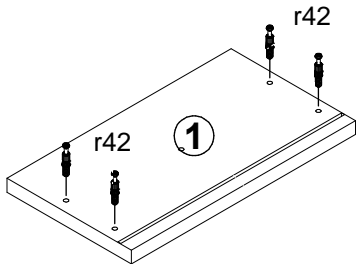
7x

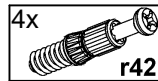
III

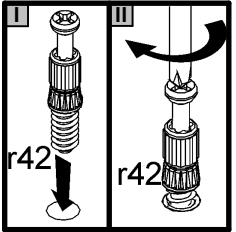


4x  f25

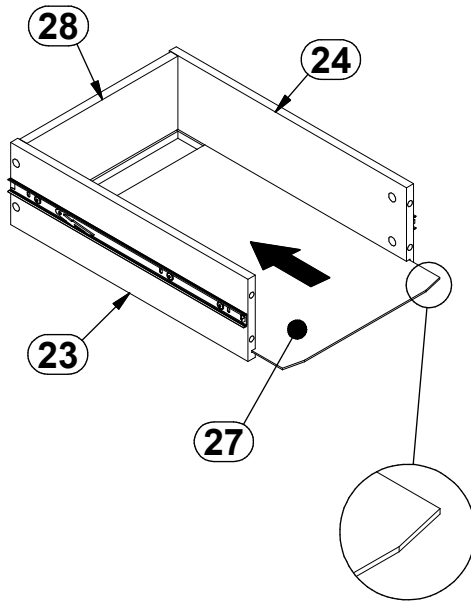
IV

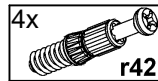


4x  r42

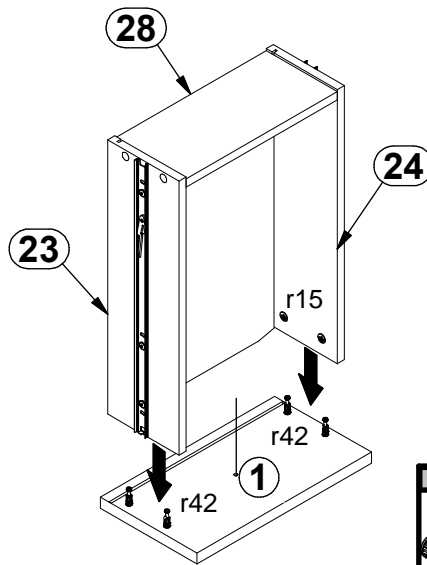



V

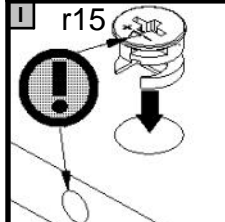
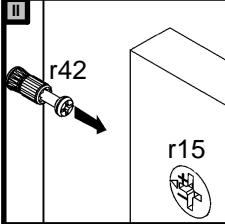
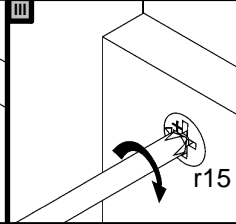


4x  r42

VI

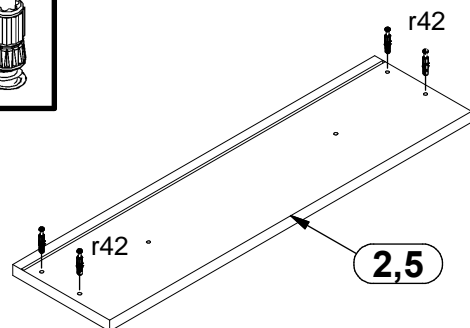
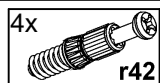
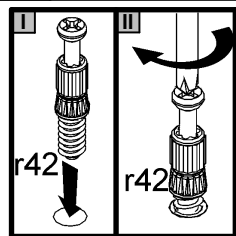
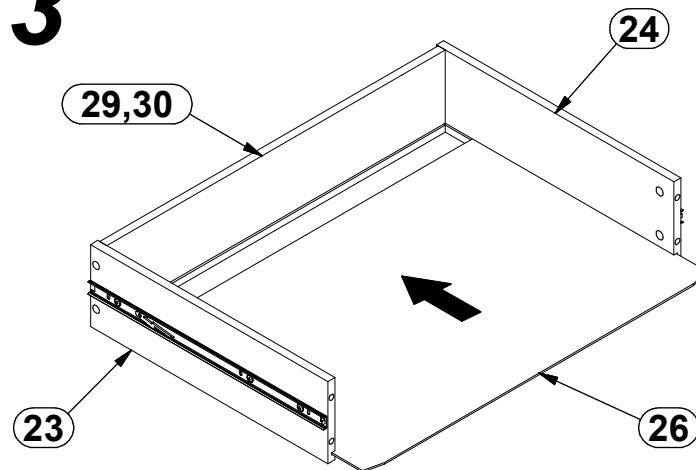
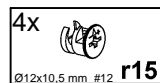
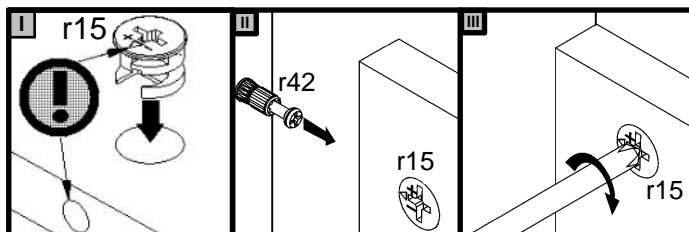
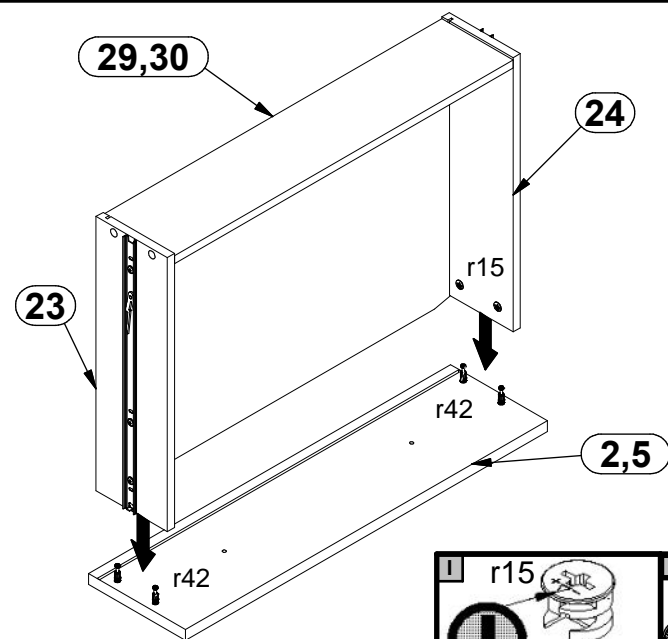
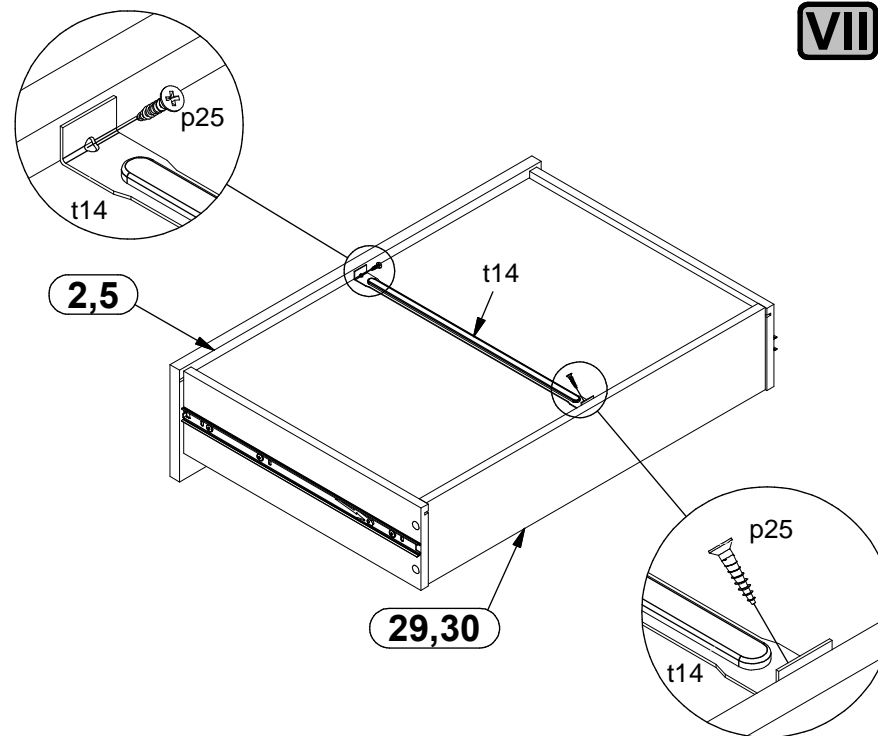


4x  r15

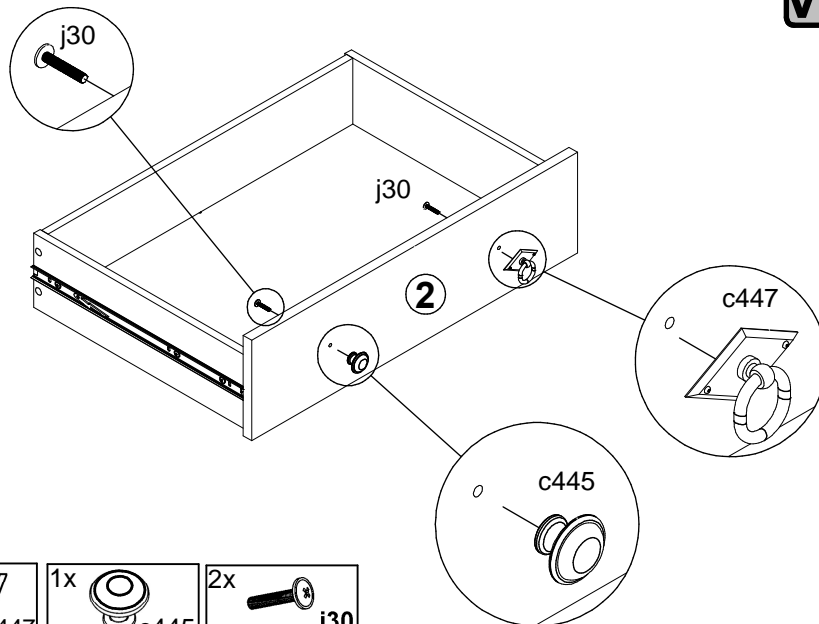
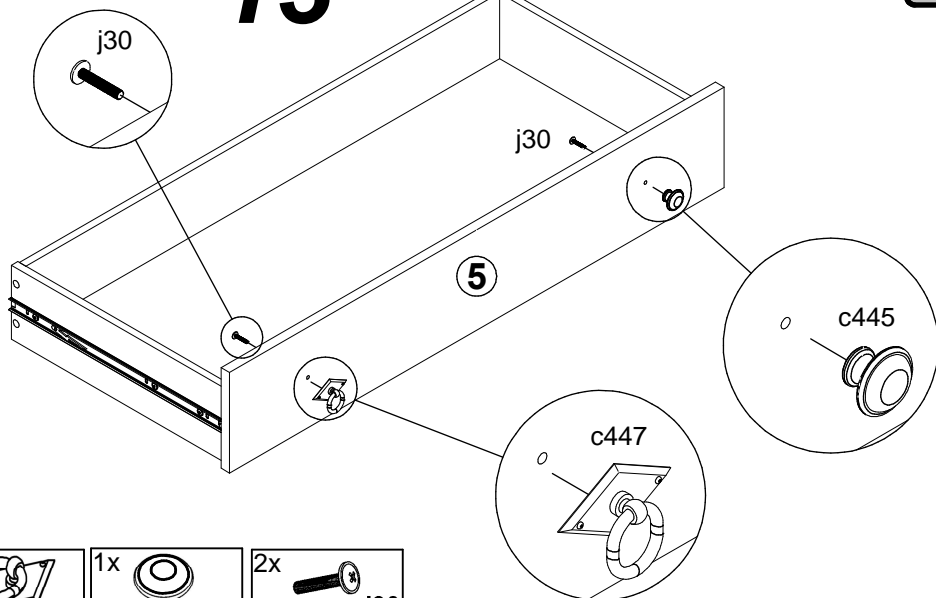
A**S248-KOM3D7S/8/19****10D0--20**

18 / 20

**IV****13****V****VI****VII**

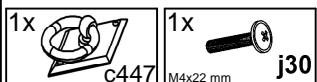
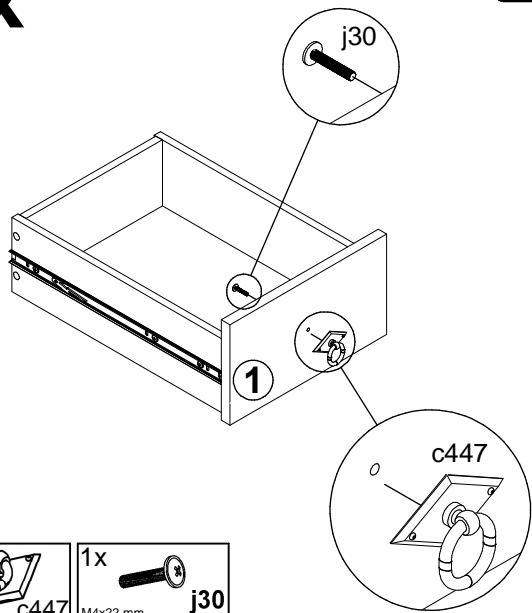
13

VIII



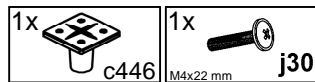
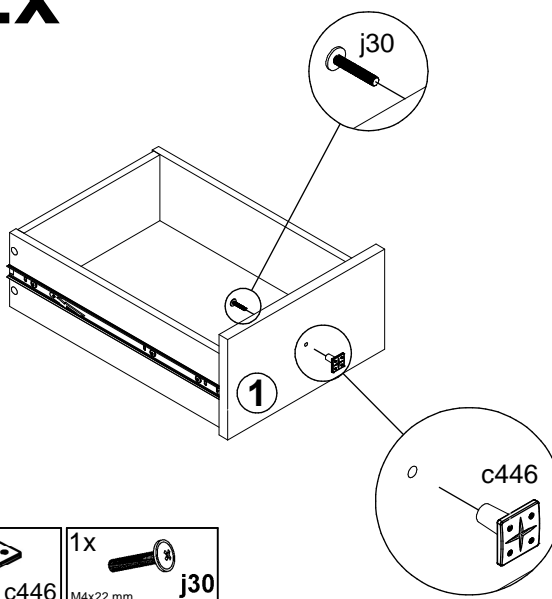
2x

VII



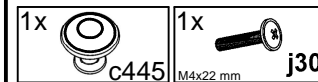
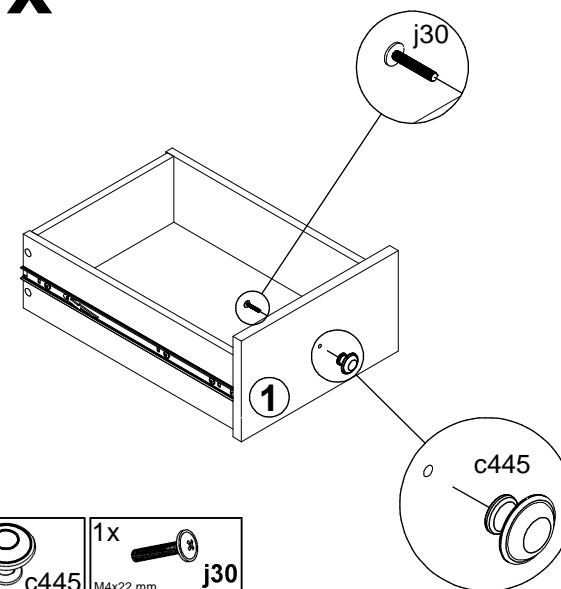
2x

VII



1x

VII



14

