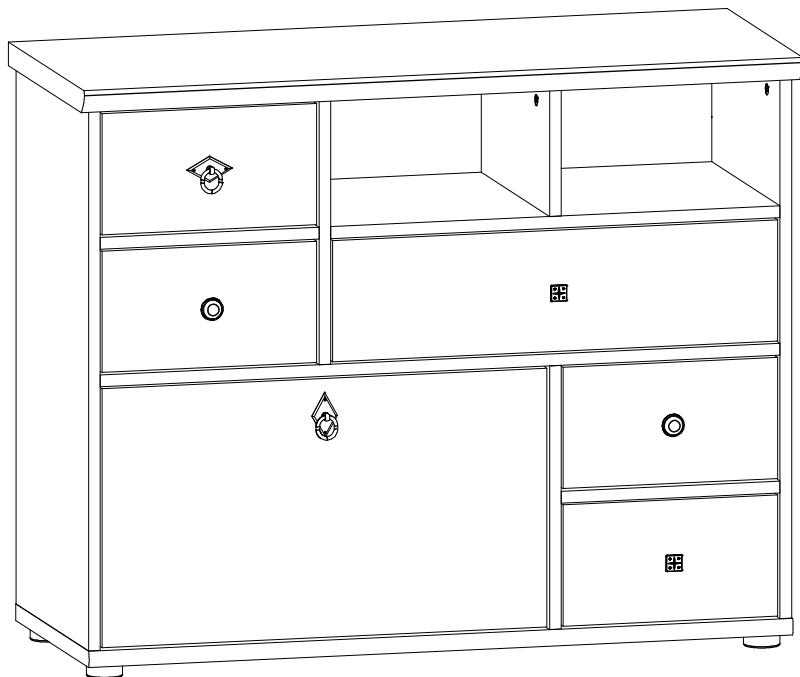


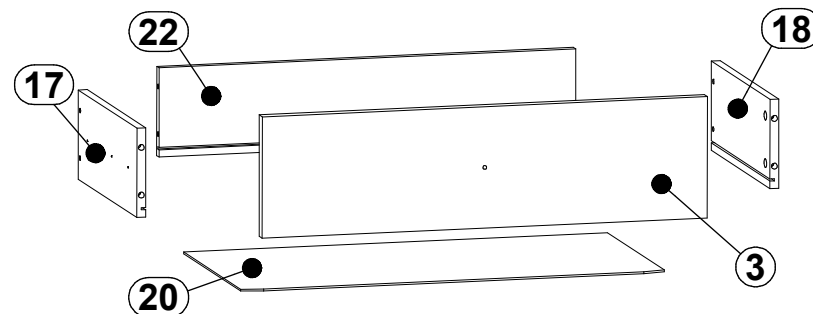
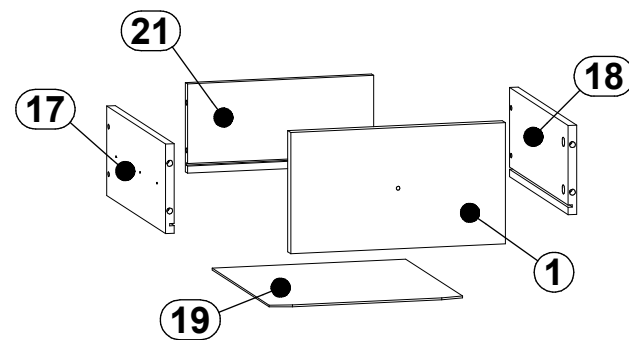
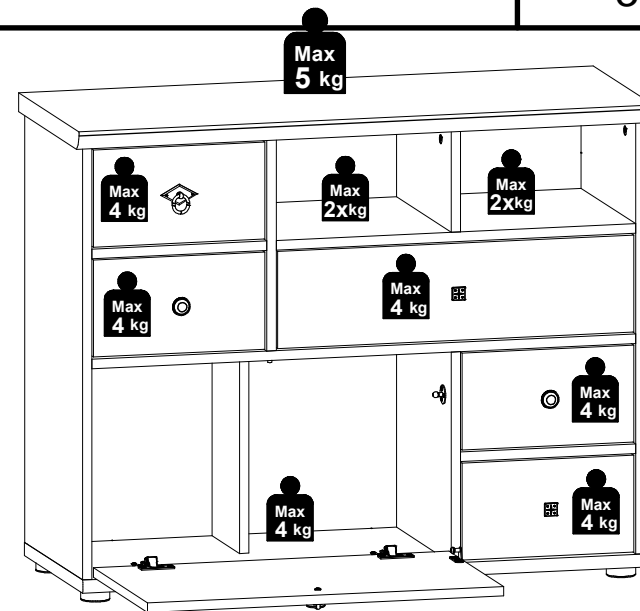
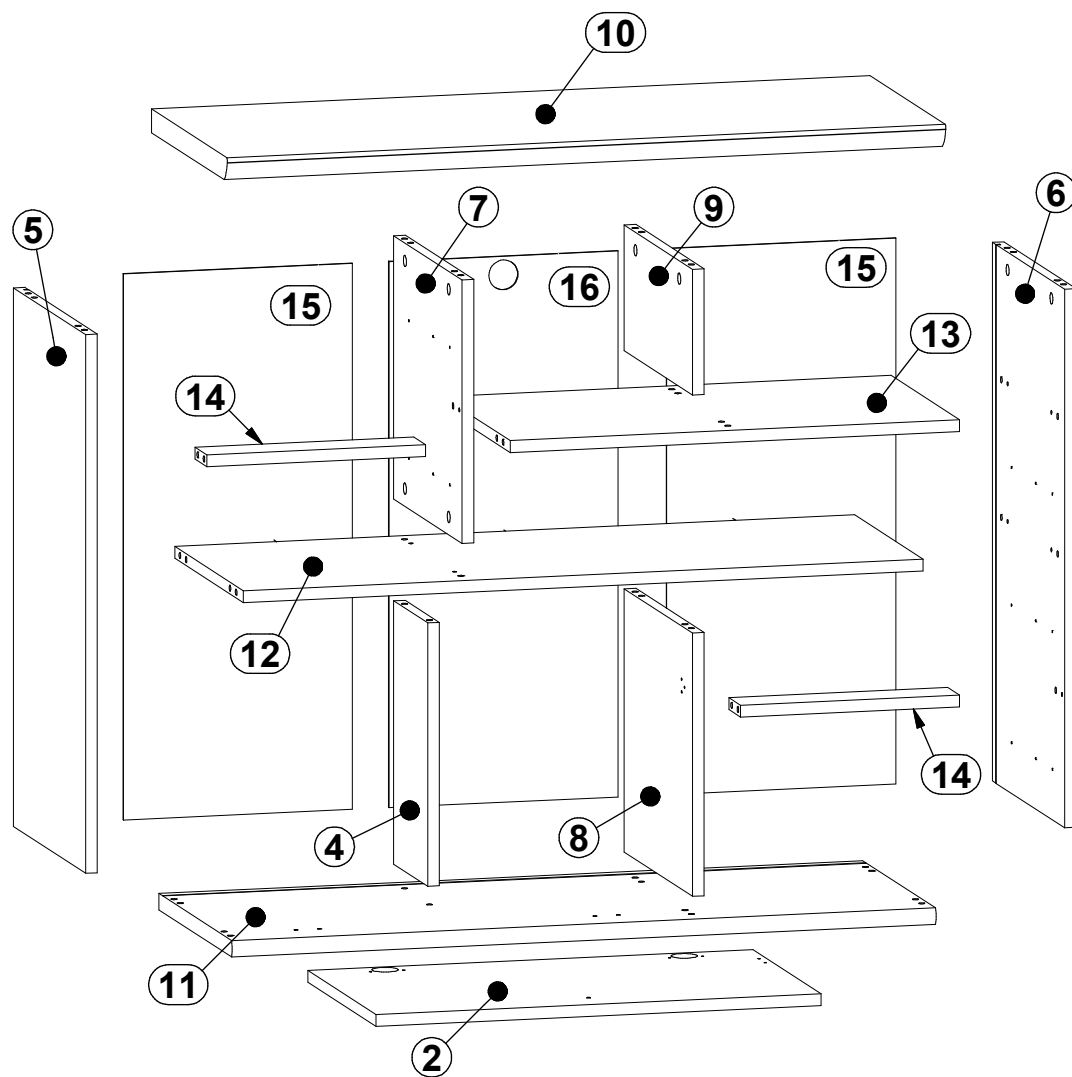
90min

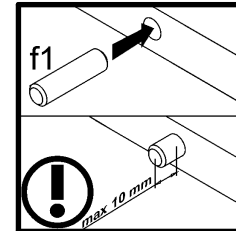
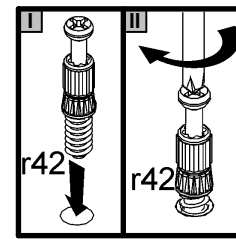
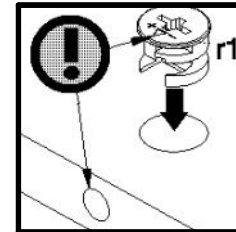
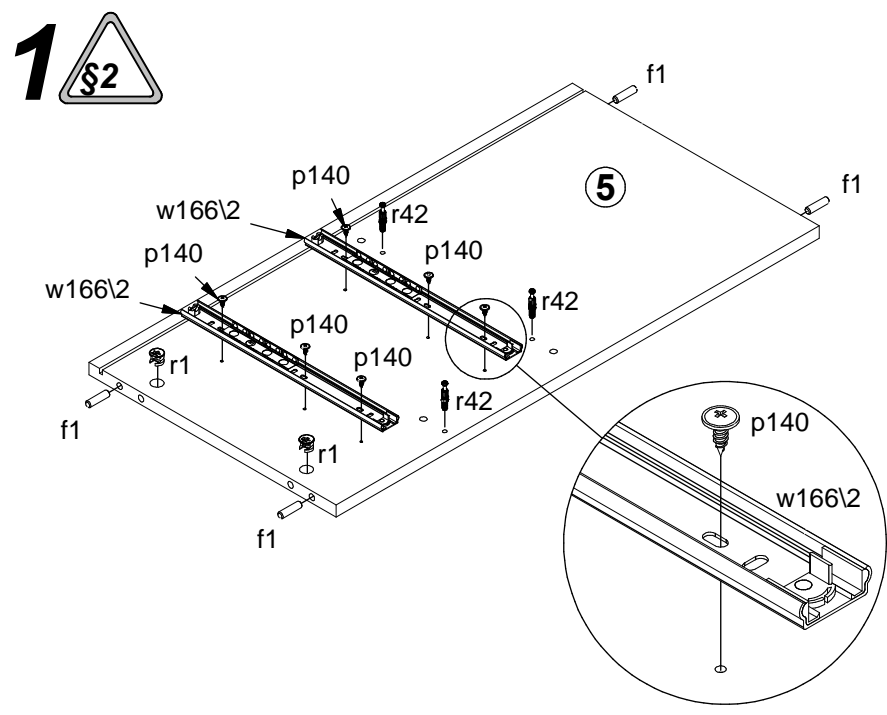
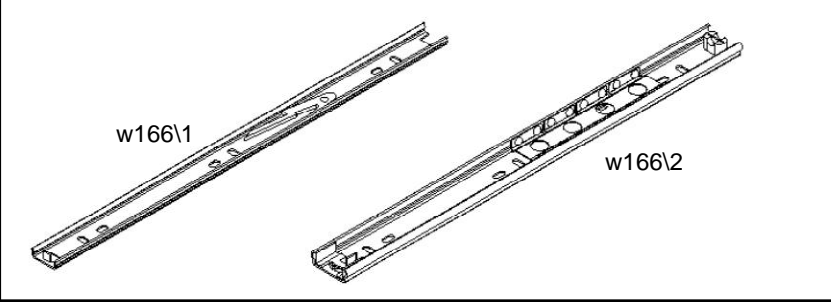
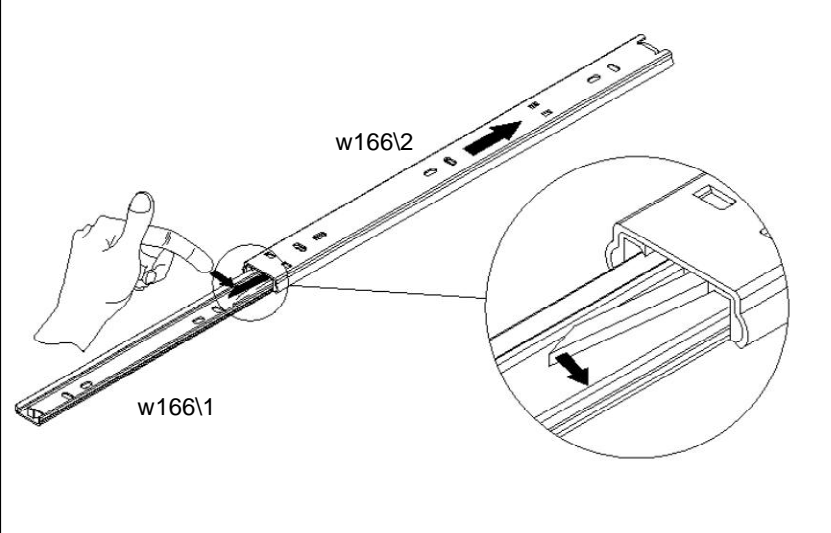


A	B	C (mm)		D
1	S248-0009	163	294	2/2
2	S248-0010	610	348	2/2
3	S248-0016	163	610	2/2
4	S248-1013	354	175	2/2
5	S248-1014	724	370	2/2
6	S248-1015	724	370	2/2
7	S248-1016	354	350	2/2
8	S248-1017	354	350	1/2
9	S248-1018	169	350	2/2
10	S248-2004	985	388	1/2
11	S248-2005	965	375	1/2
12	S248-3010	932	350	1/2
13	S248-3011	616	350	1/2
14	S248-4003	300	60	1/2
15	S248-9003	734	314	2/2
16	S248-9005	734	314	2/2
17	WSK3-503	300	120	1/2
18	WSK3-504	300	120	1/2
19	WSP-9090	265	298	1/2
20	WSP-9091	581	298	1/2
21	WTR-5026	255	120	1/2
22	WTR-5027	571	120	1/2

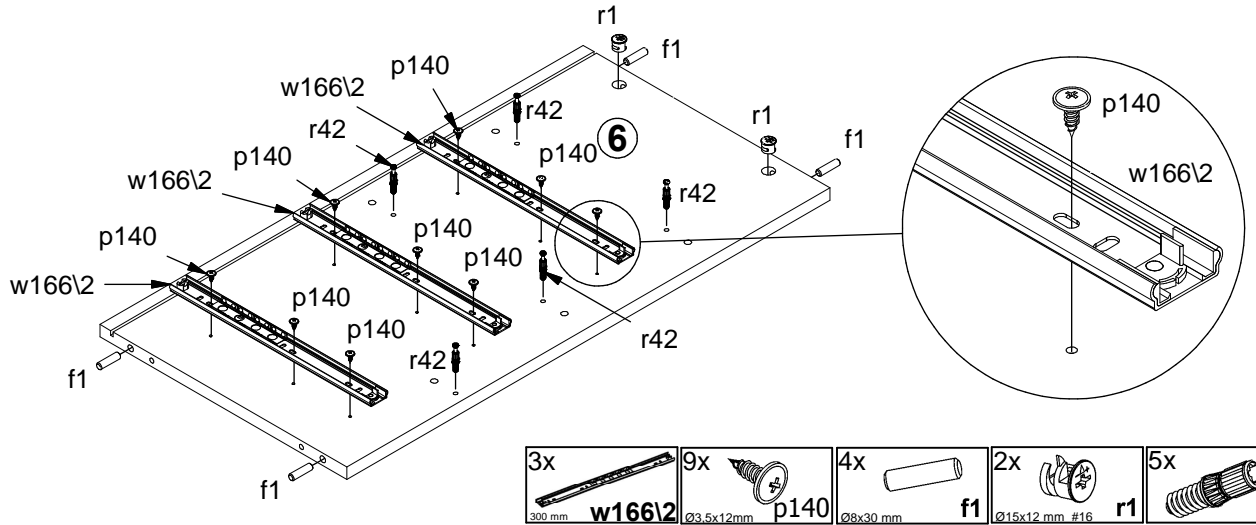
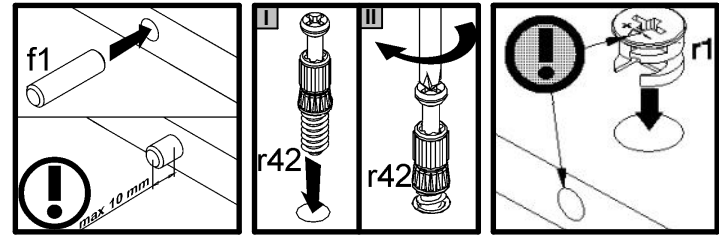


2x a43	2x b35	2x c445	2x c446	2x c447	1x Ø6,3x15 mm d4	8x Ø7x50 mm e1	34x Ø8x30 mm f1	1x Ø8x50 mm f6	20x Ø6,5x40 mm f25	6x M4x22 mm j30	6x k27	8x l1
14x i2	1x m56\1	1x m57\1	1x m57\3	10x 20x13x3,5\1 n108	2x Ø3,5x16 mm p25	9x Ø3,5x15 mm p51	10x Ø2,9x16 mm p55	60x Ø3,5x12mm p140	24x Ø15x12 mm #16 r1	20x Ø12x10,5 mm #12 r15	44x r42	4x Ø16 s2
1x 283 mm t18	5x 300 mm w166\1	5x 300 mm w166\2	1x z1									
									1x Ø10x50 mm f35	1x 88x21x15\1,5 n14\2	1x Ø5x60 mm p17	2x Ø3,5x16 mm p38

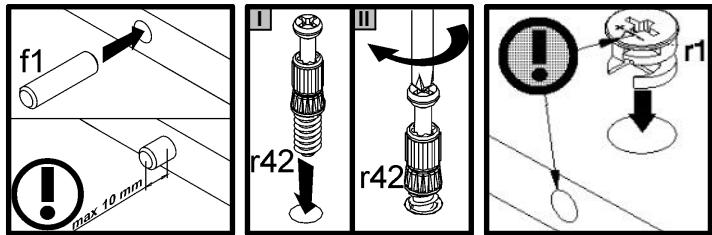




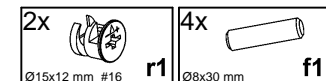
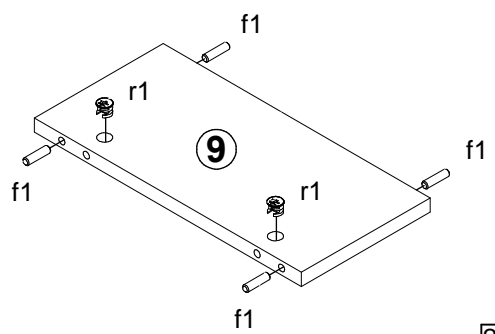
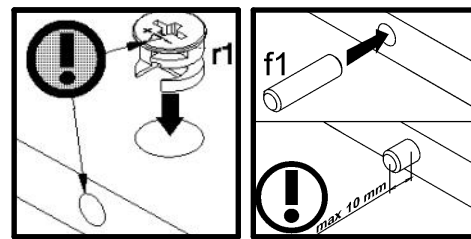
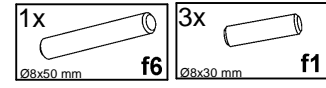
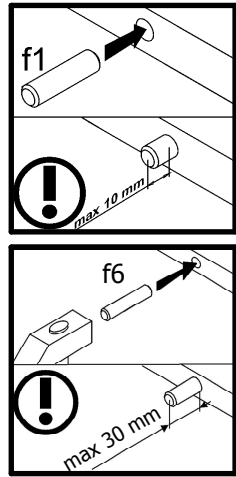
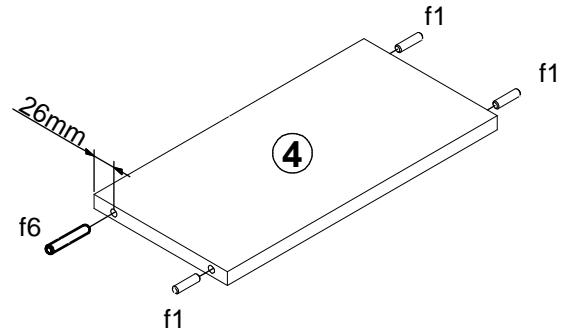
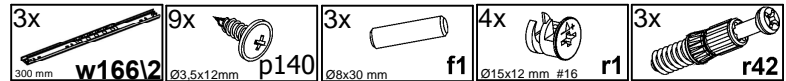
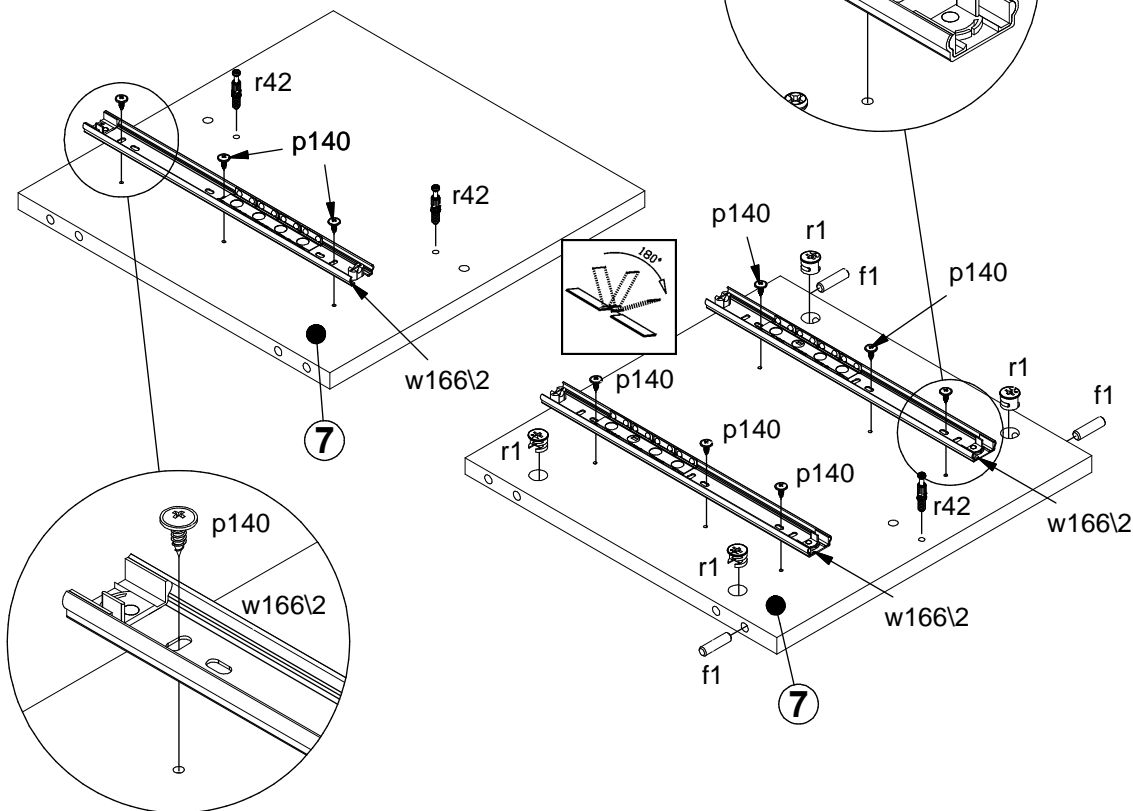
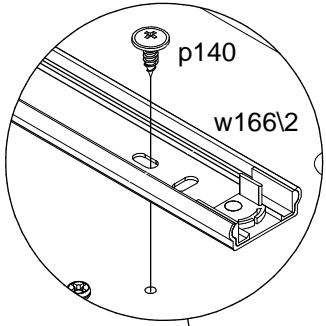
- 2x **w166\2**  
300 mm
- 6x **p140**  
Ø3,5x12mm
- 4x **f1**  
Ø8x30 mm
- 2x **r1**  
Ø15x12 mm #16
- 3x **r42**

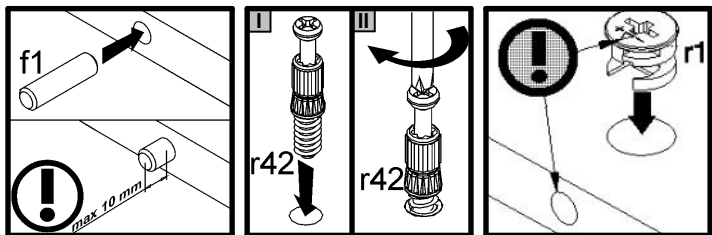


- 3x **w166\2**  
300 mm
- 9x **p140**  
Ø3,5x12mm
- 4x **f1**  
Ø8x30 mm
- 2x **r1**  
Ø15x12 mm #16
- 5x **r42**

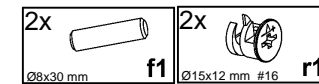
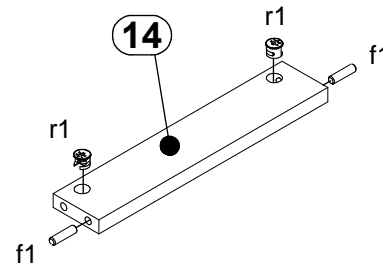
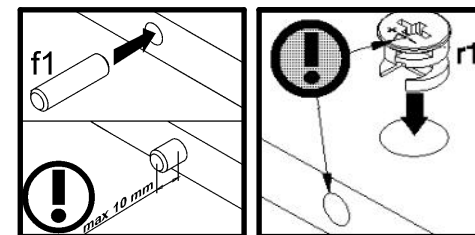
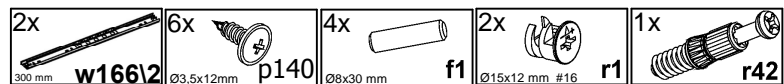
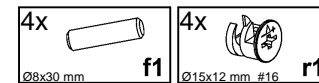
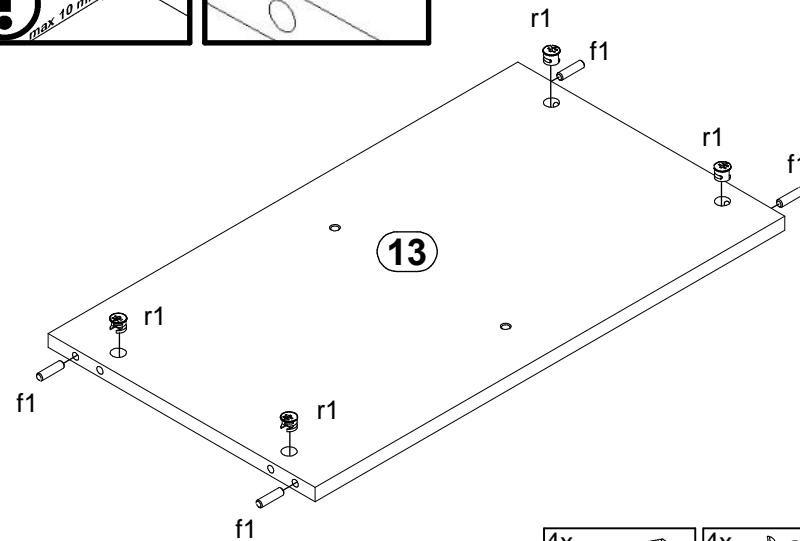
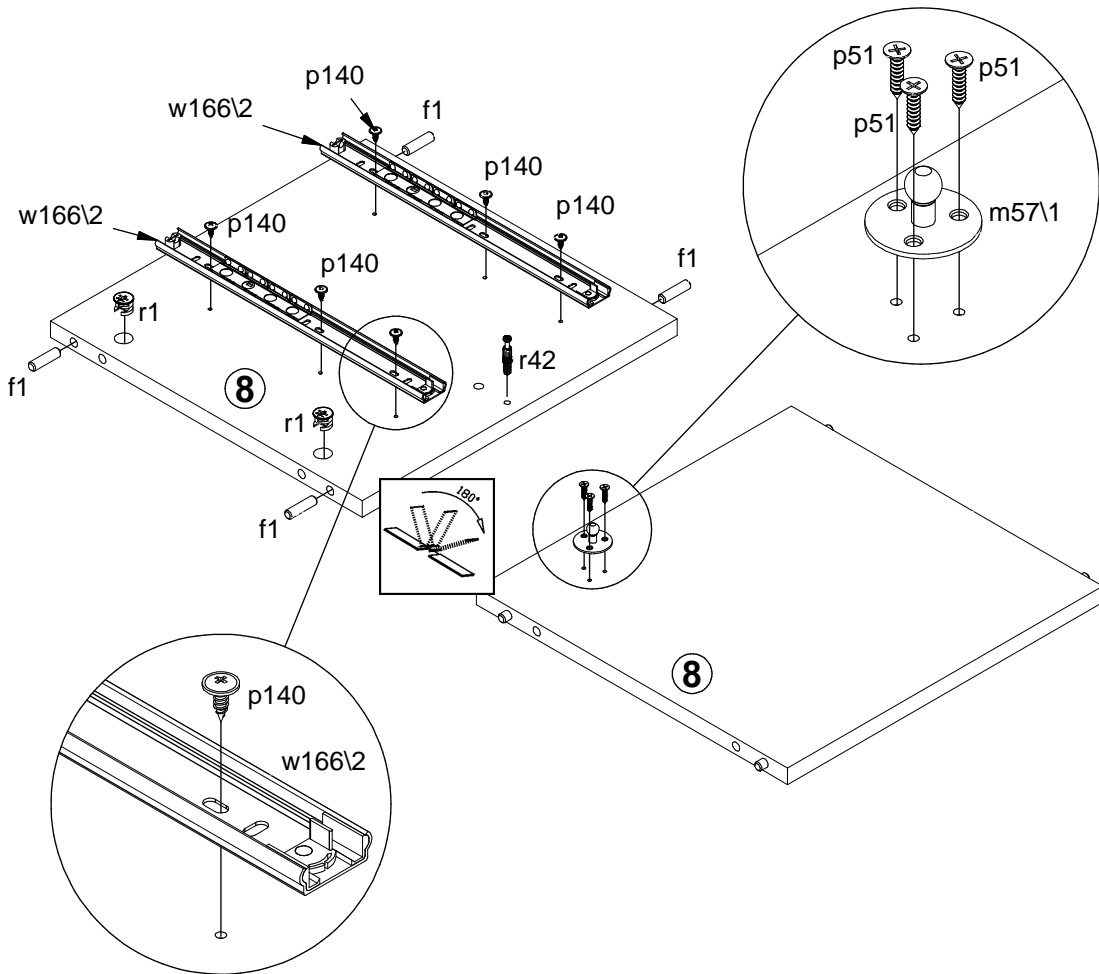
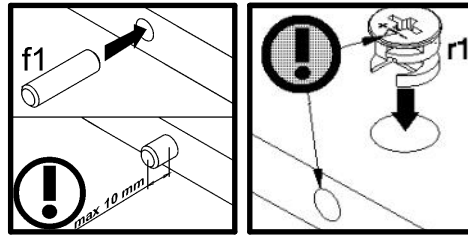


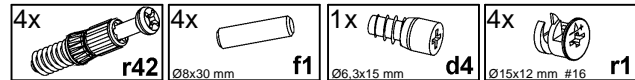
1



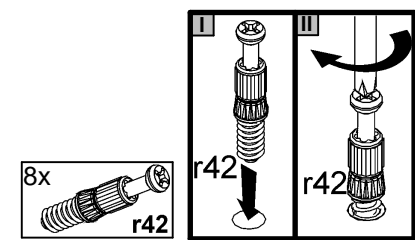
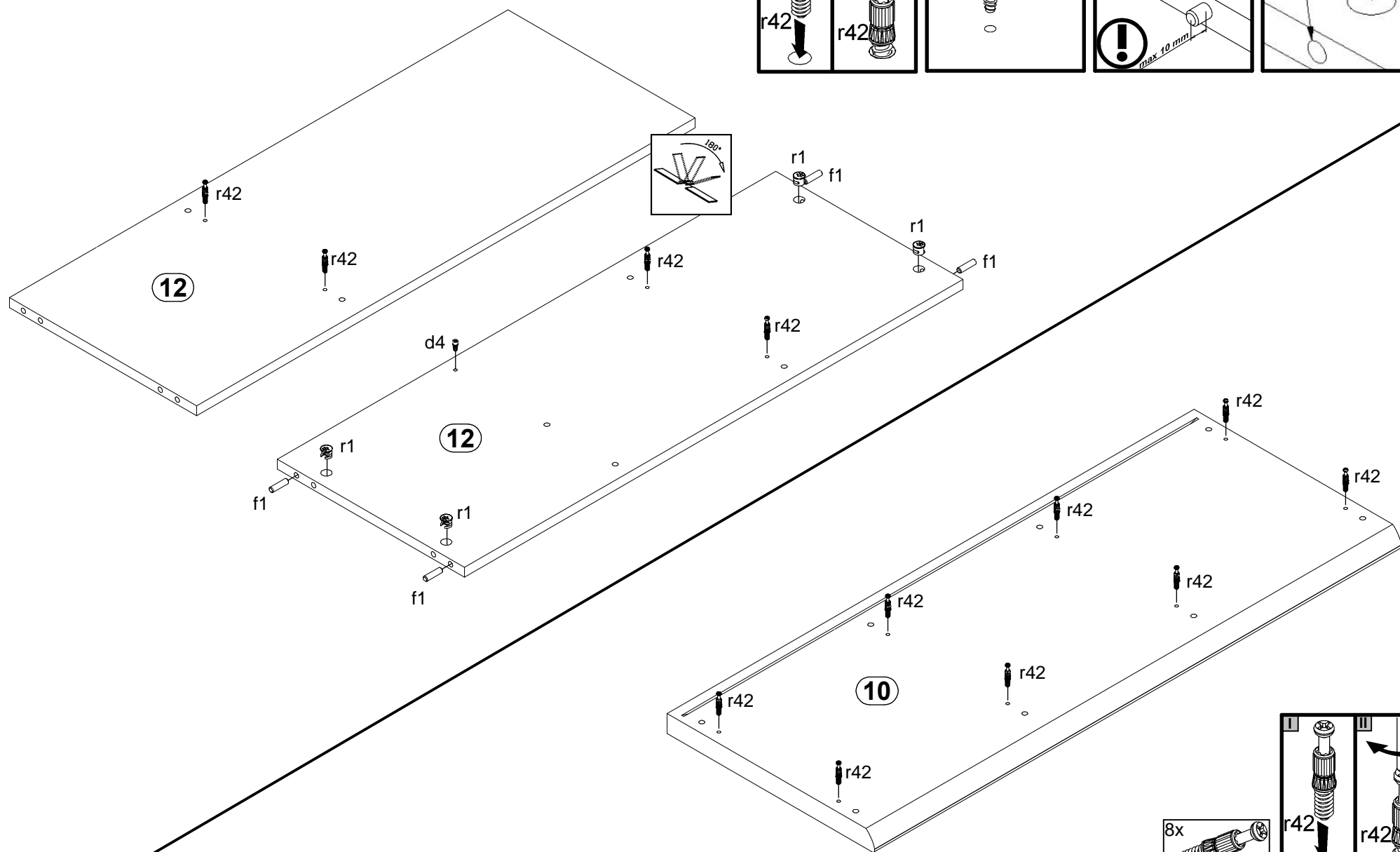
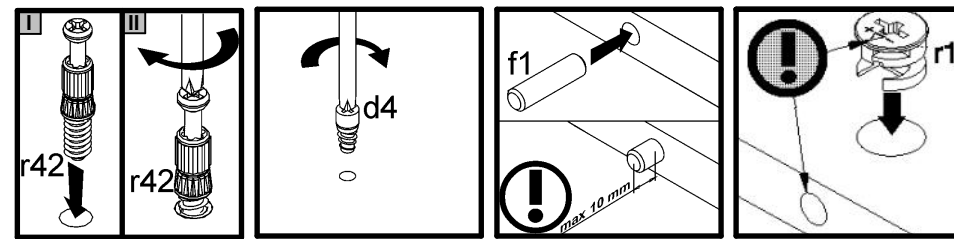


1




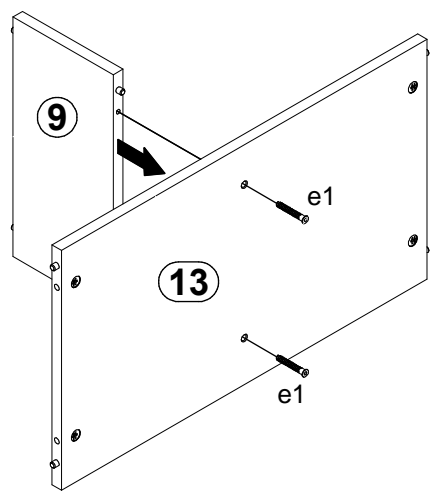
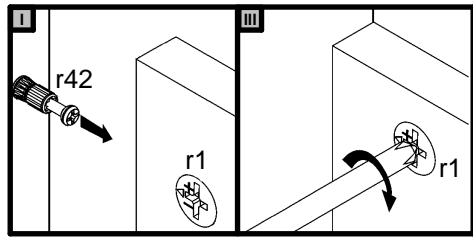
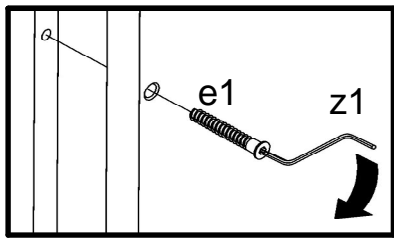


1

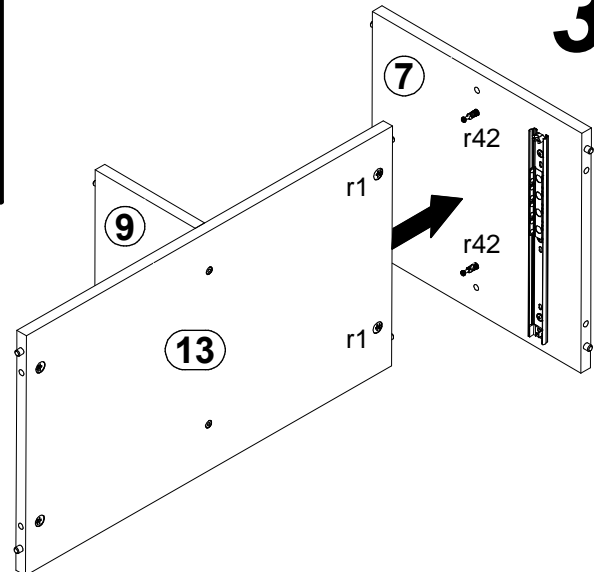


2 

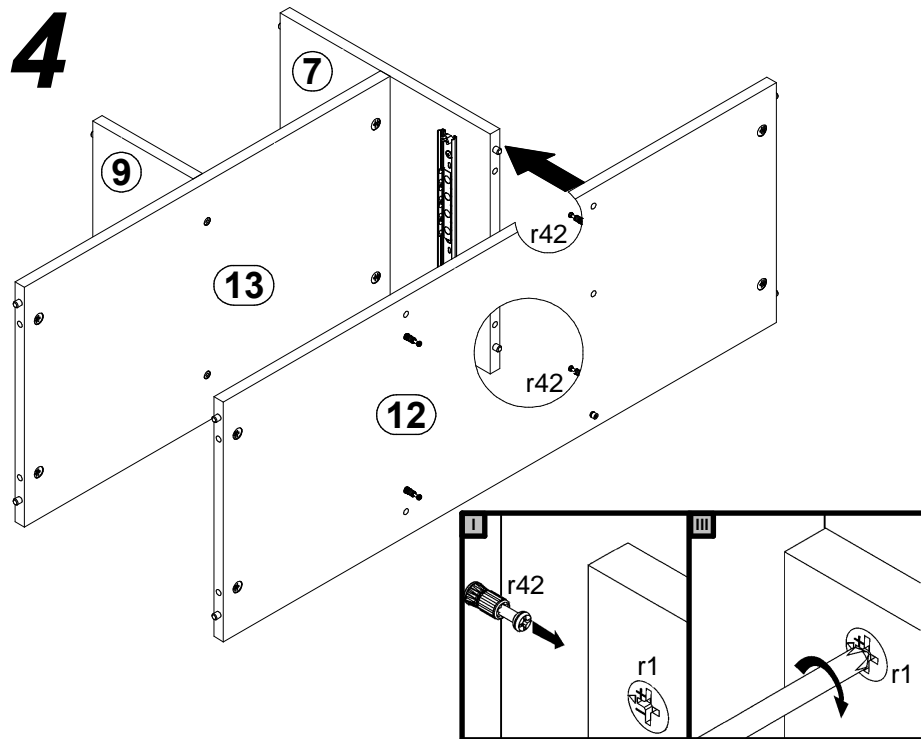
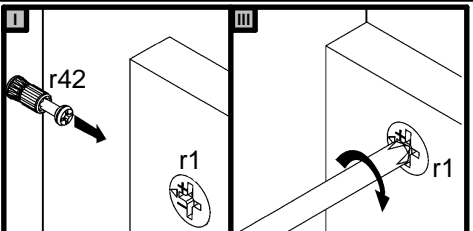
2x  e1  
Ø7x50 mm



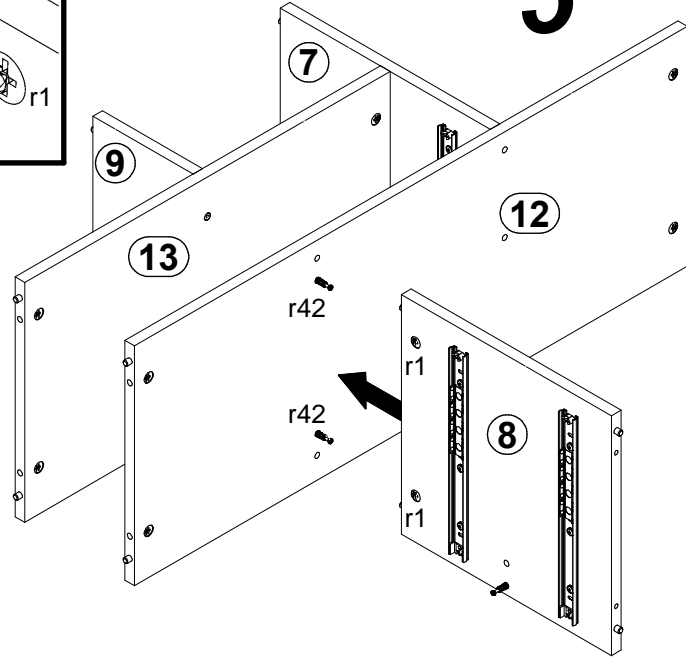
3



4

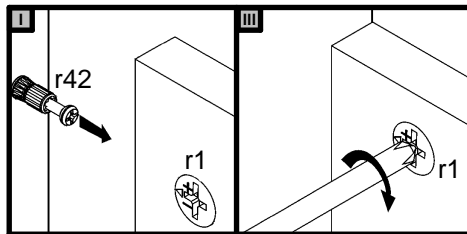
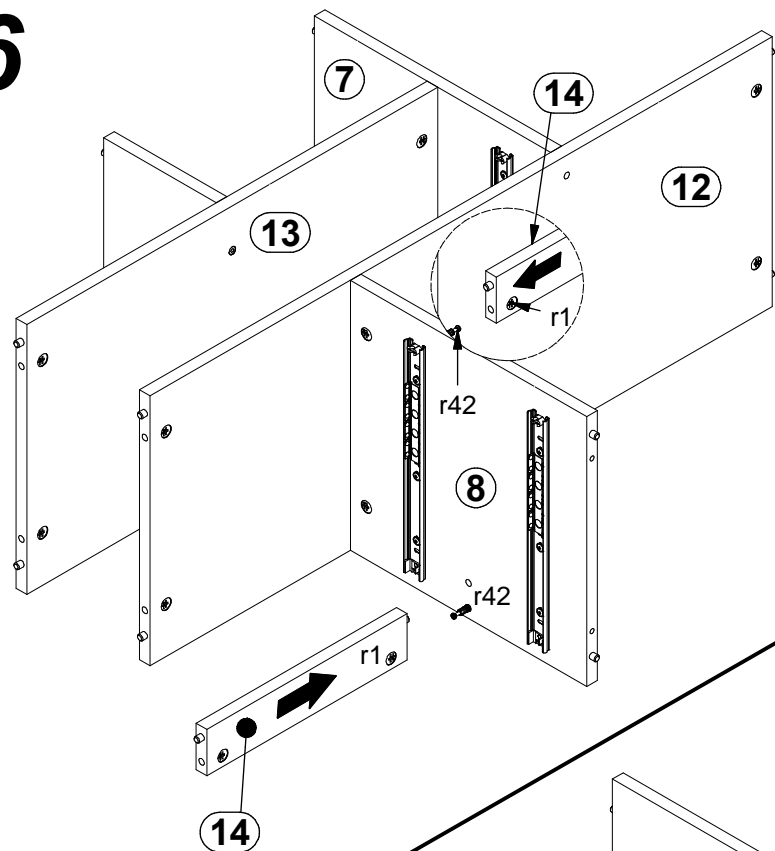


5

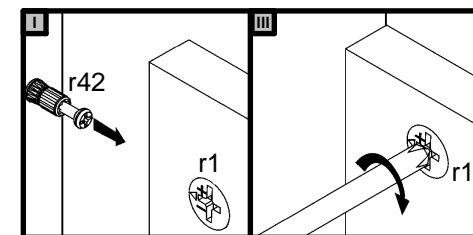
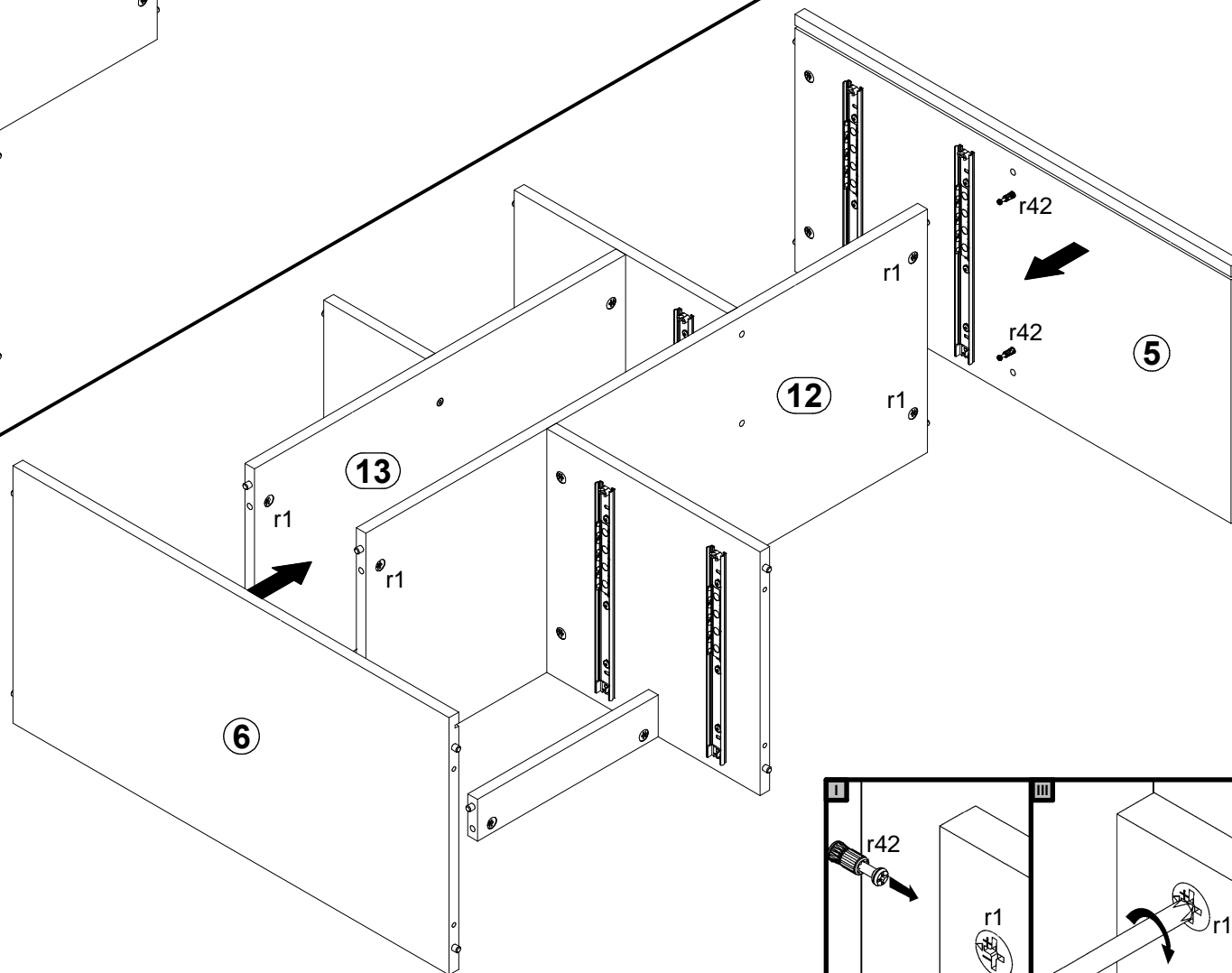


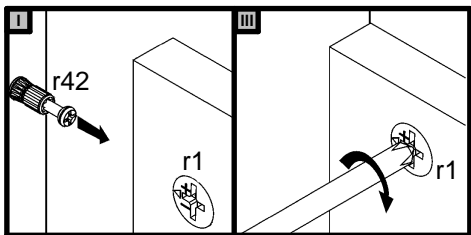


6

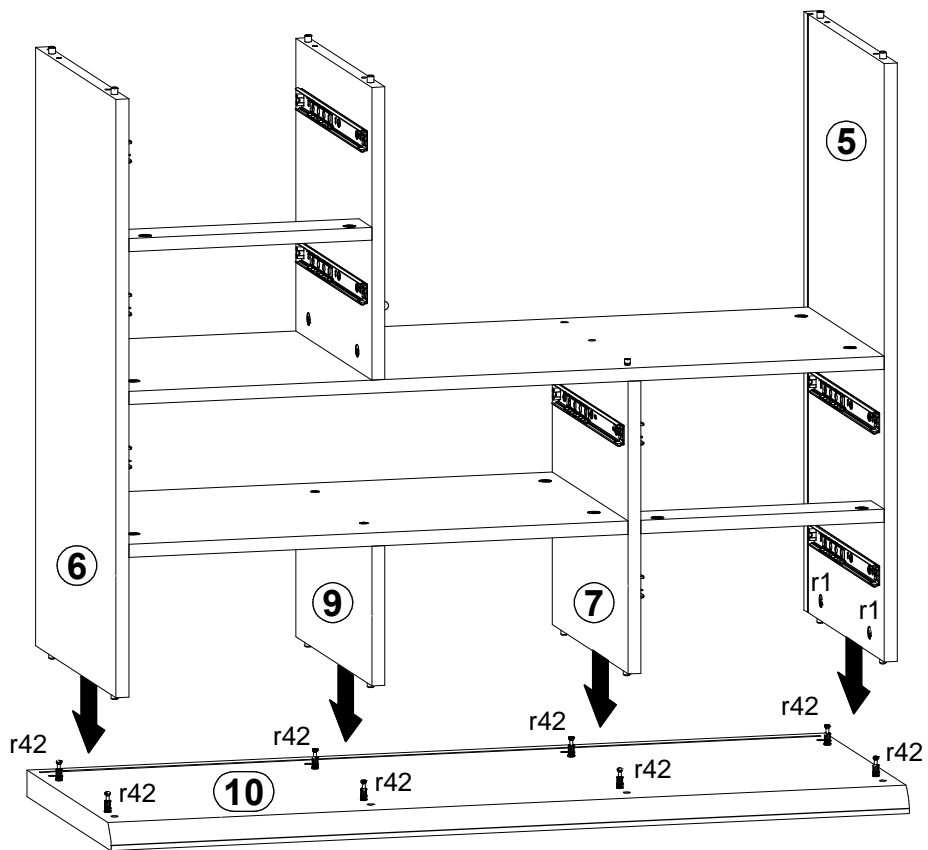


7

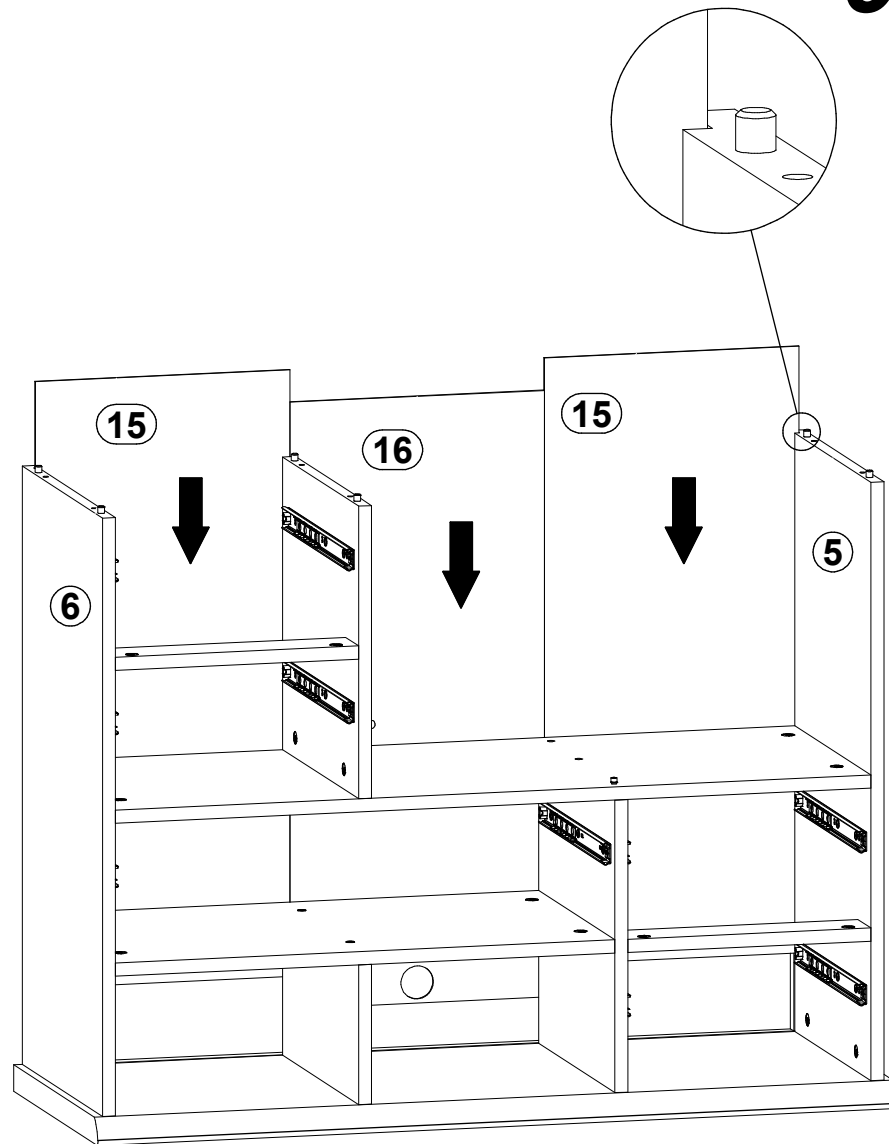


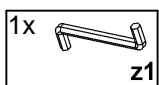
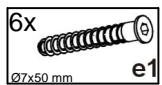
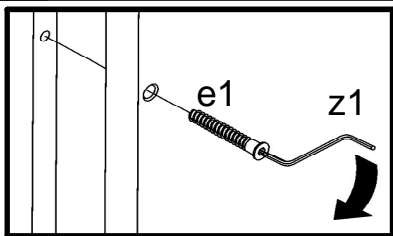


8

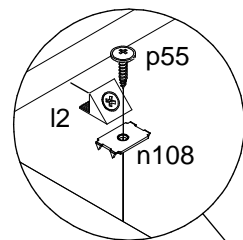
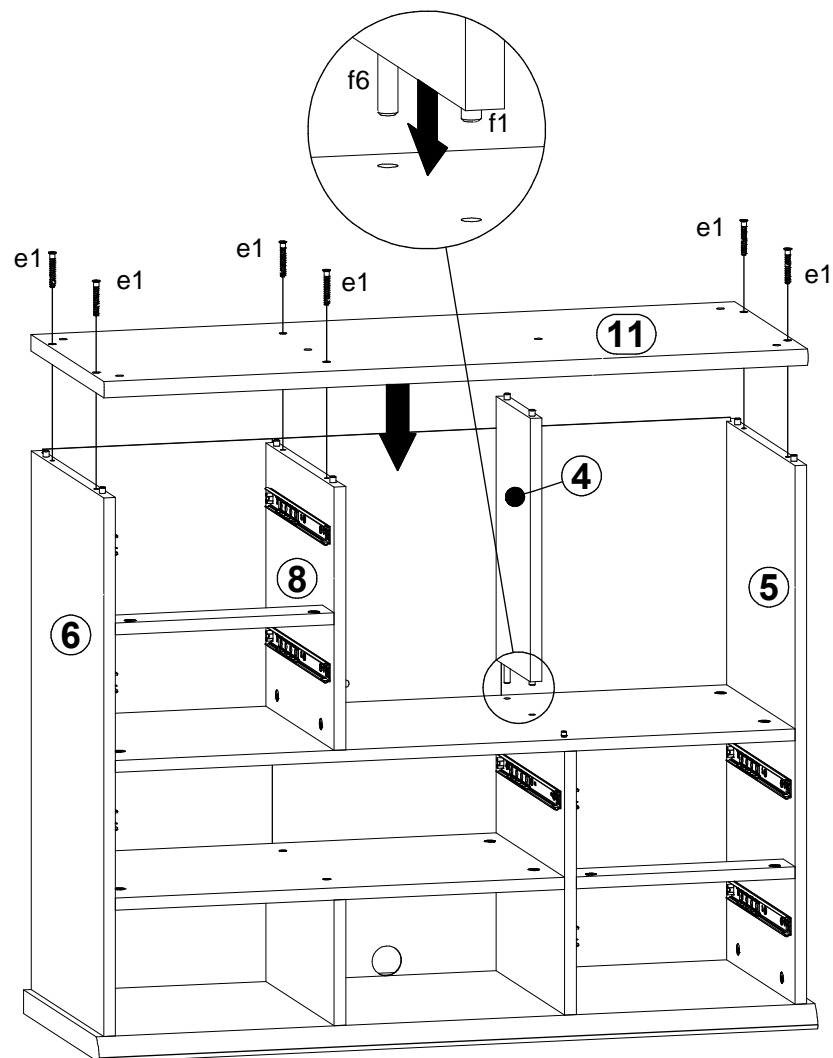
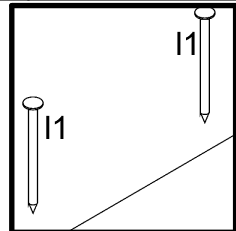
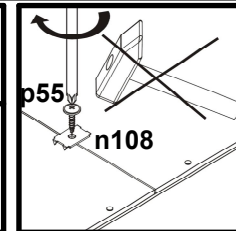
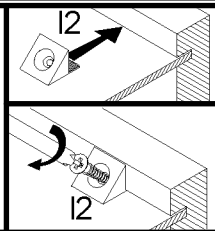
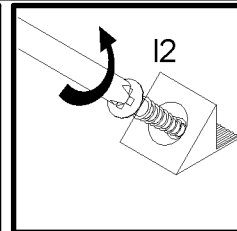
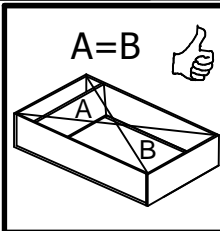


9

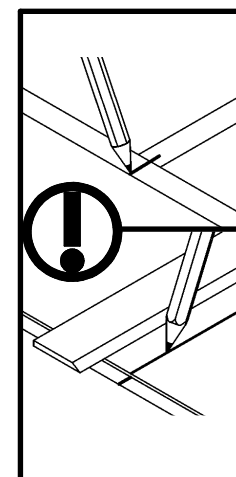
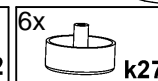
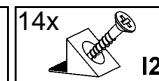
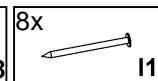
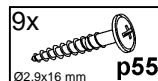
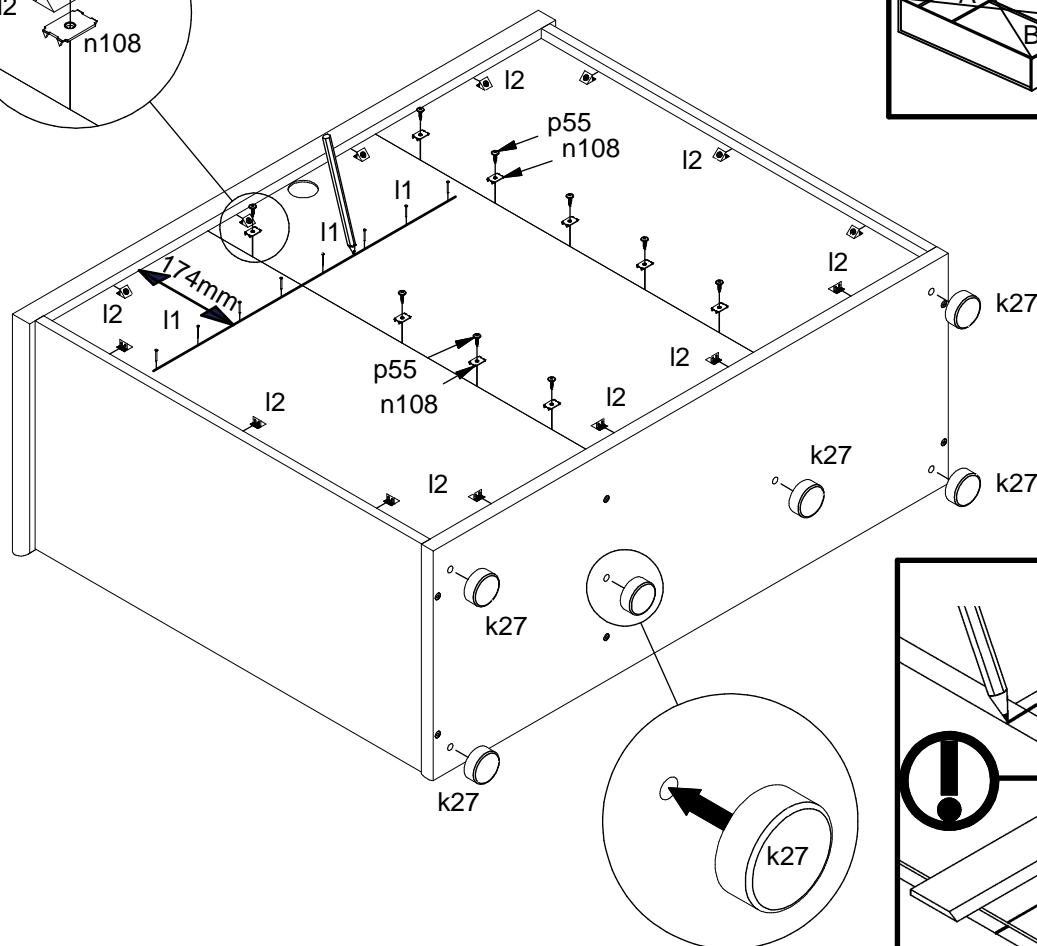
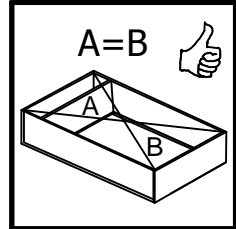




10



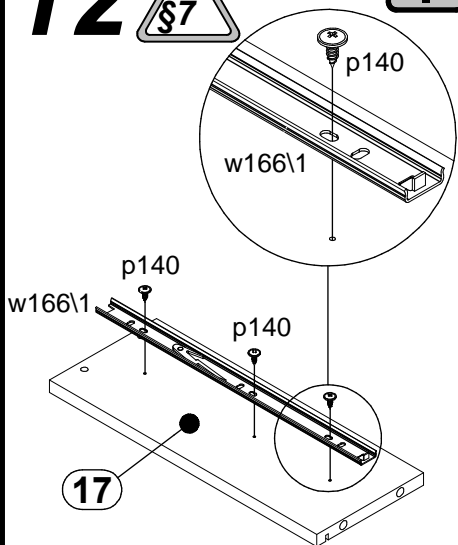
11



12

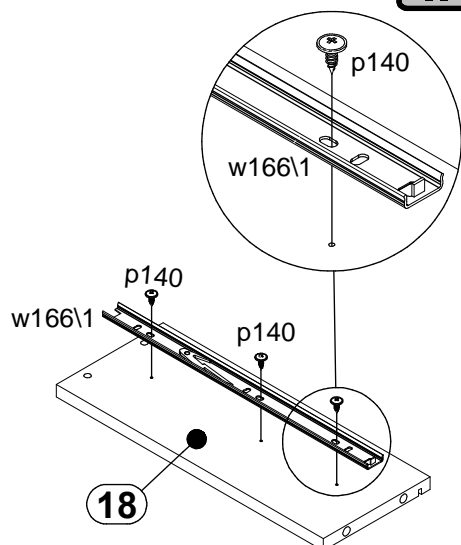


I



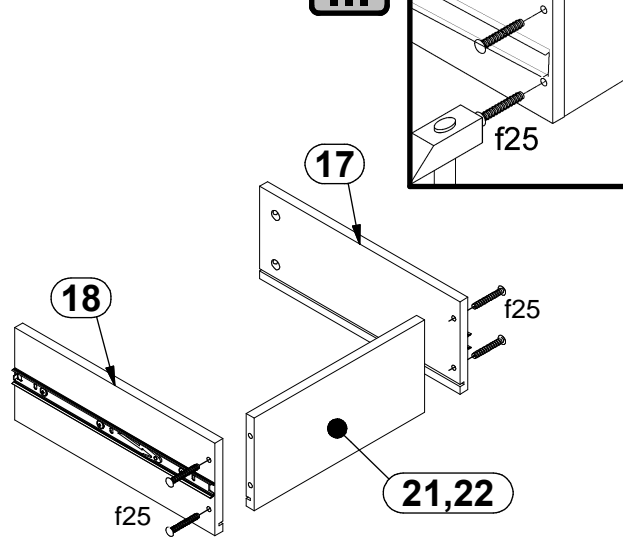
- 1x 300 mm w166\1
- 3x Ø3,5x12mm p140

II



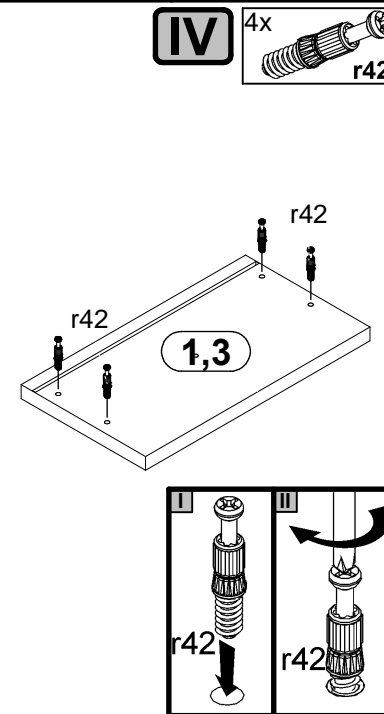
- 1x 300 mm w166\1
- 3x Ø3,5x12mm p140

III



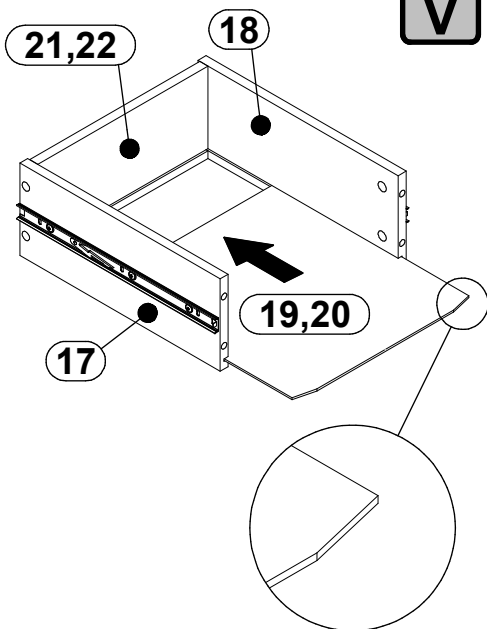
- 4x Ø6,5x40 mm f25

IV

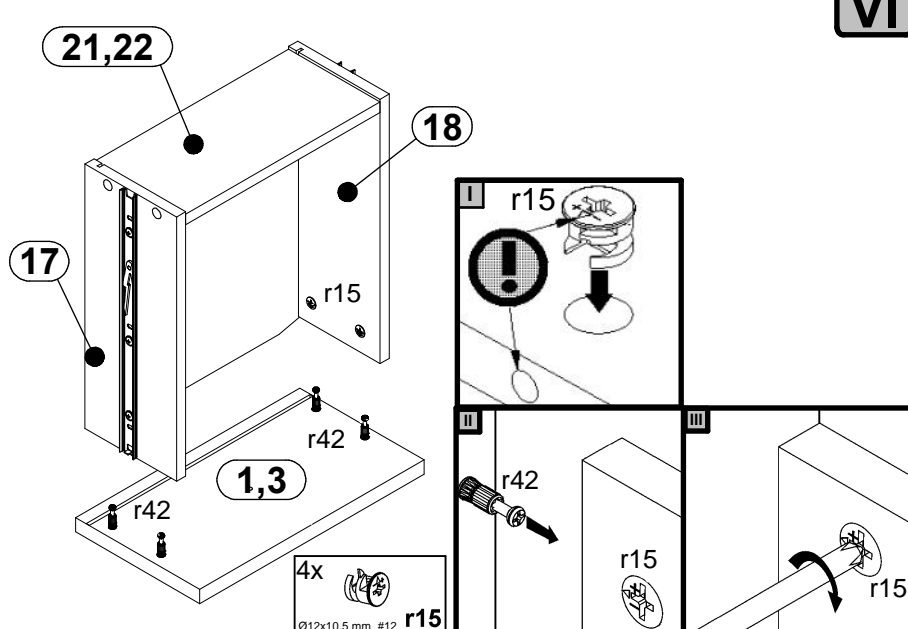


- 4x r42

V

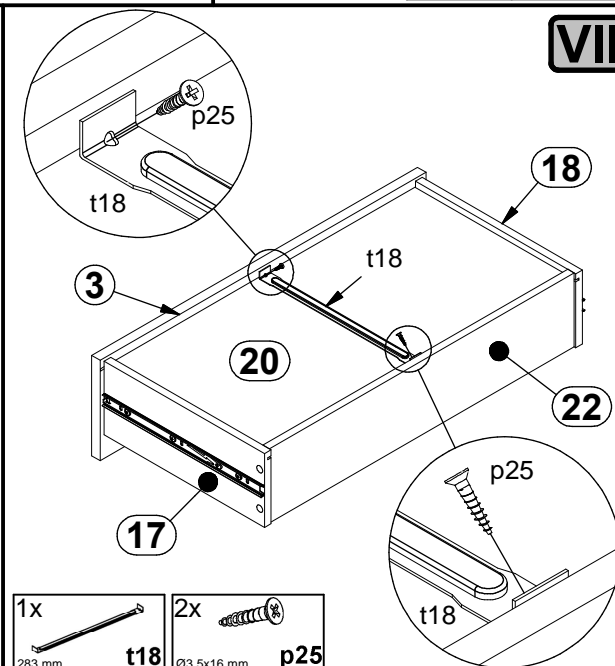


VI





- 4x Ø12x10,5 mm #12 r15

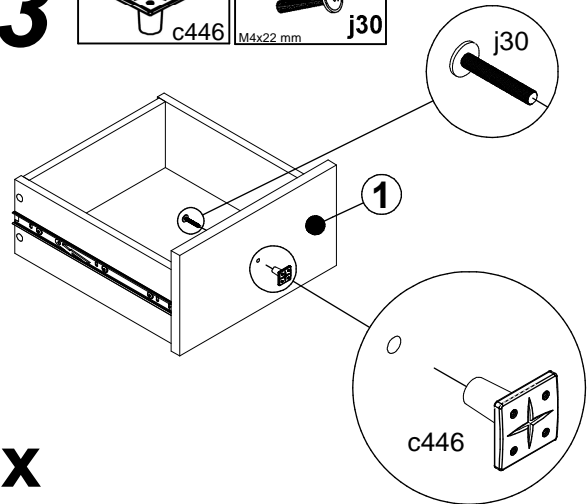
VII




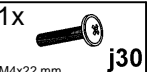
- 1x 283 mm t18
- 2x Ø3,5x16 mm p25

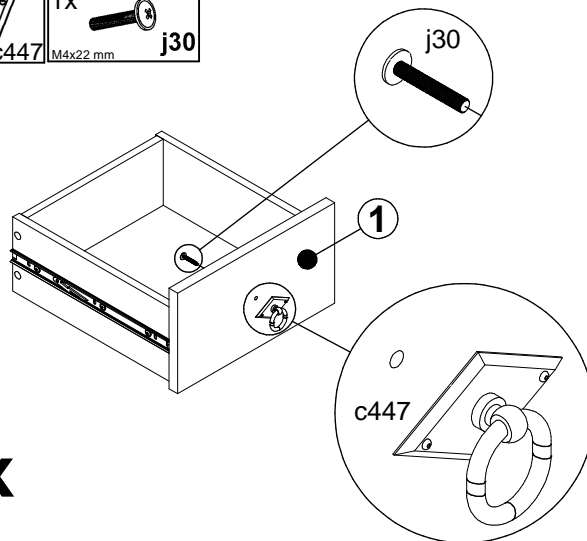
13

- 1x  c446
- 1x  j30





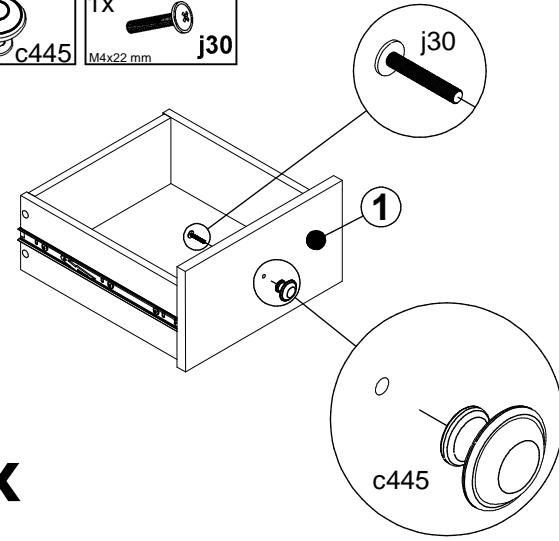
1x

- 1x  c447
- 1x  j30





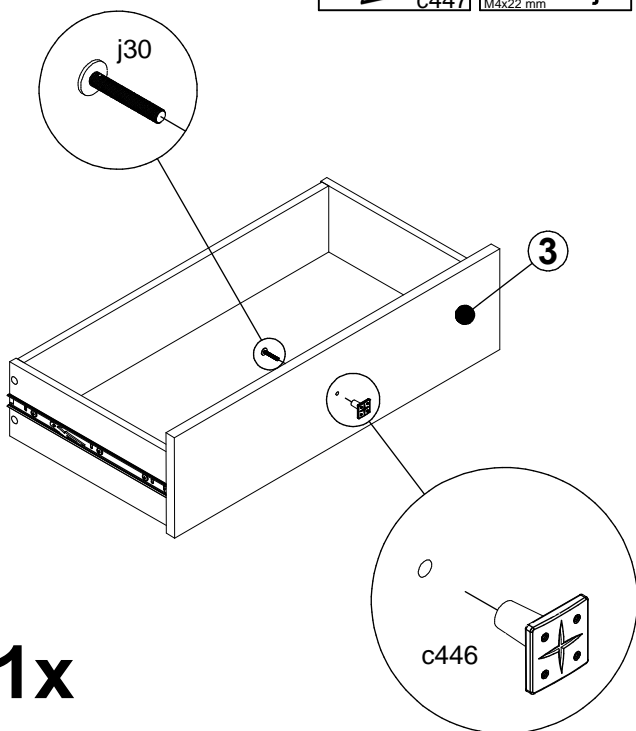
1x

- 1x  c445
- 1x  j30

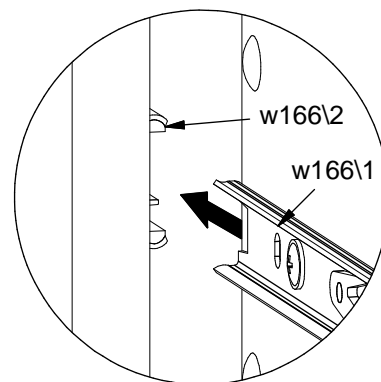


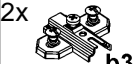
2x

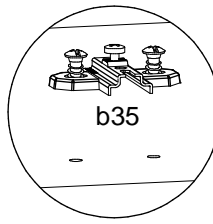
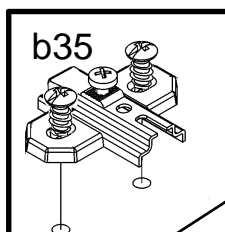
- 1x  c447
- 1x  j30



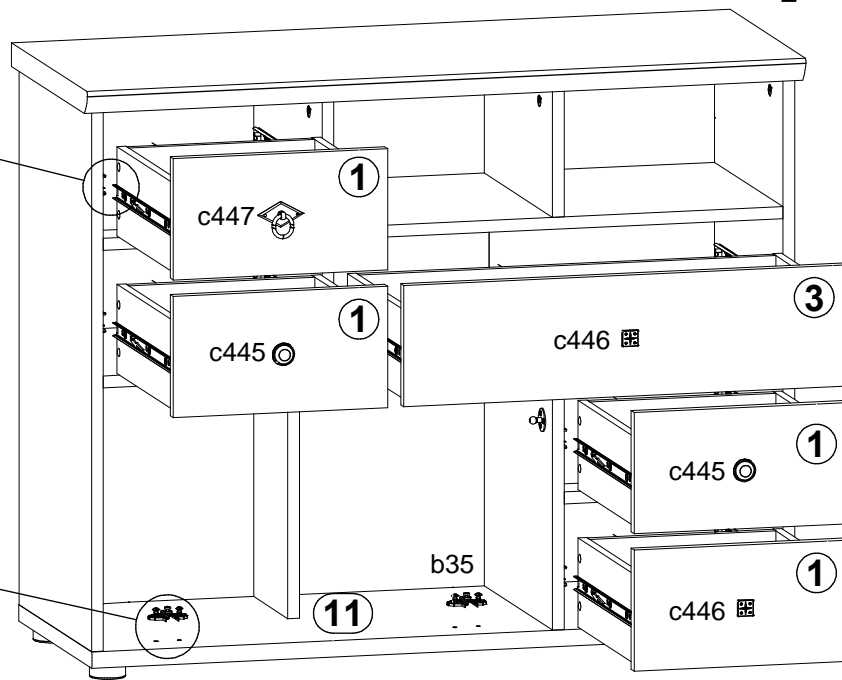
1x



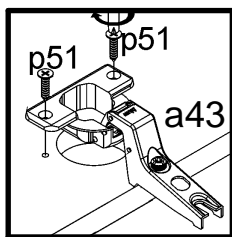
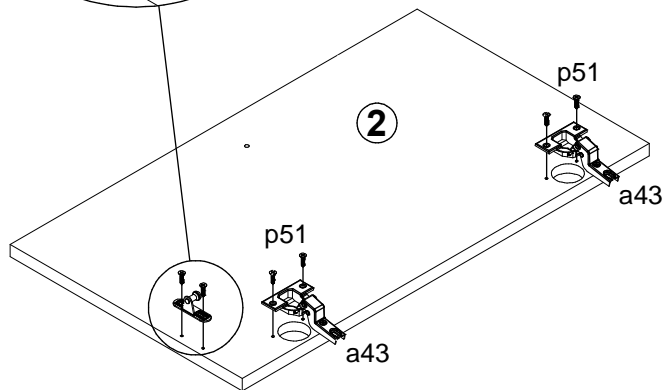
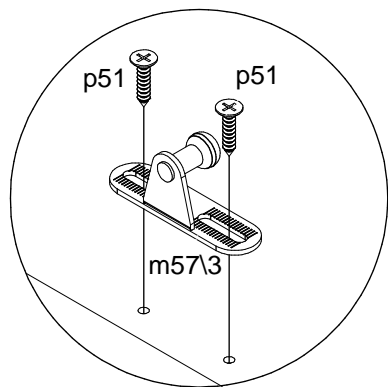
- 2x  b35






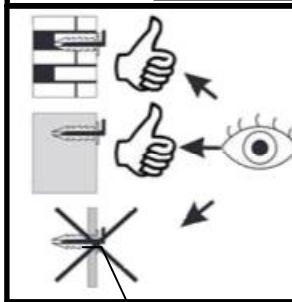
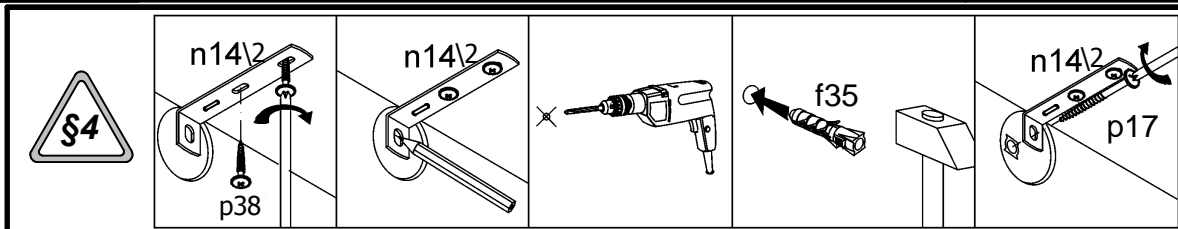
14



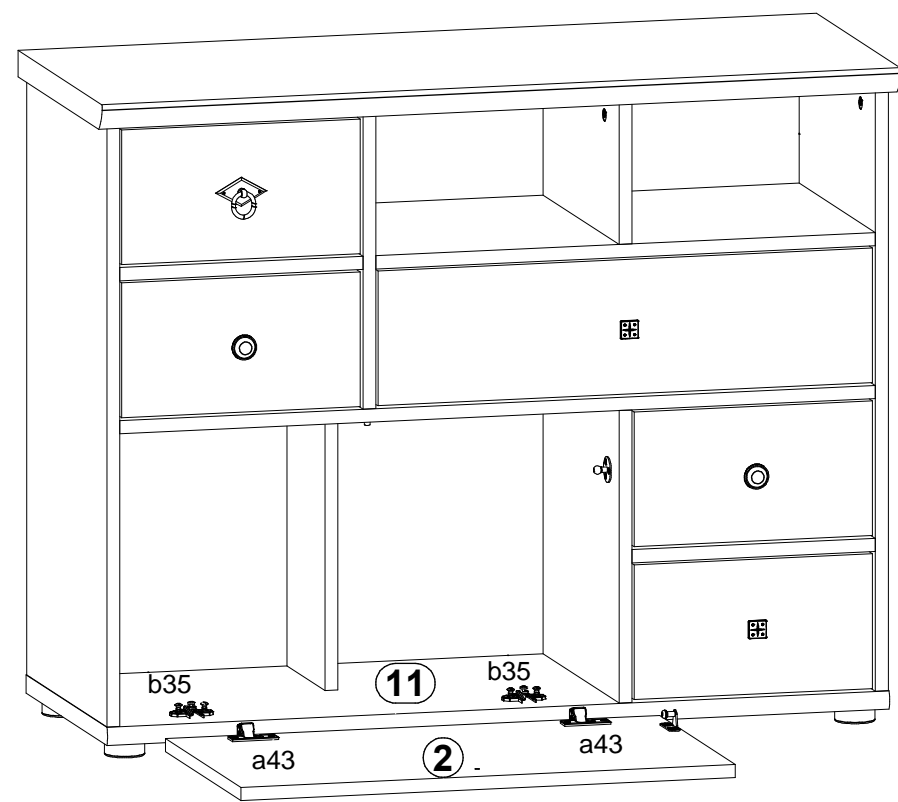
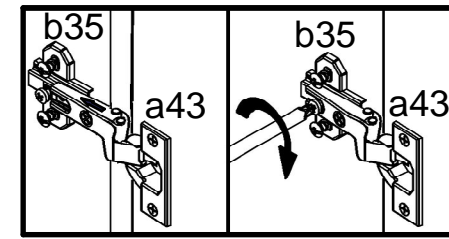
# 15



- 2x  a43
- 6x  p51  
Ø3.5x15 mm
- 1x  m57\3



# 16



A

S248-KOM1K5S/8/10

10D0--03

15 / 15

