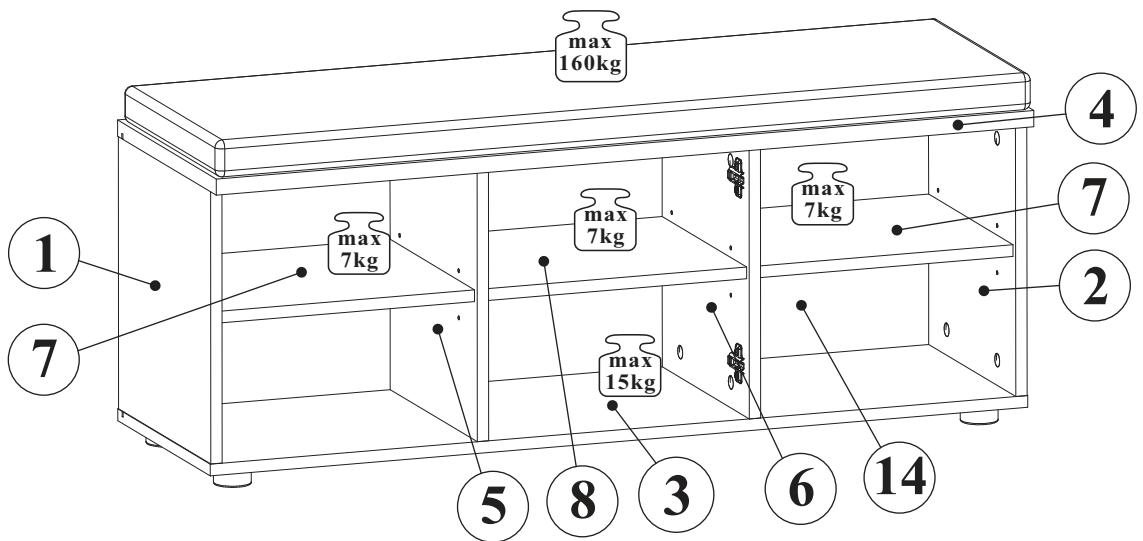
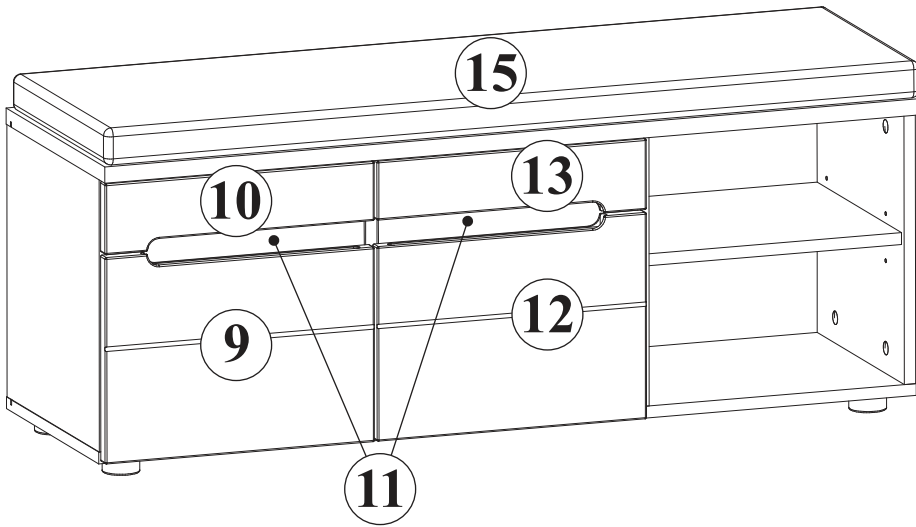
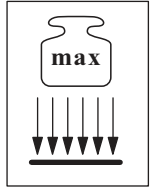
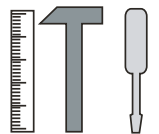
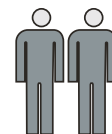


BELLANO 30G1_61

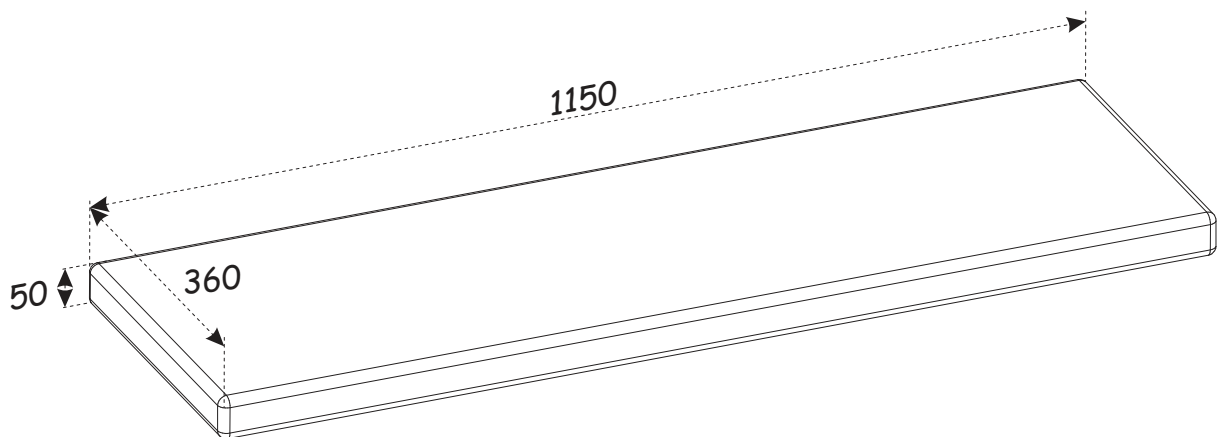
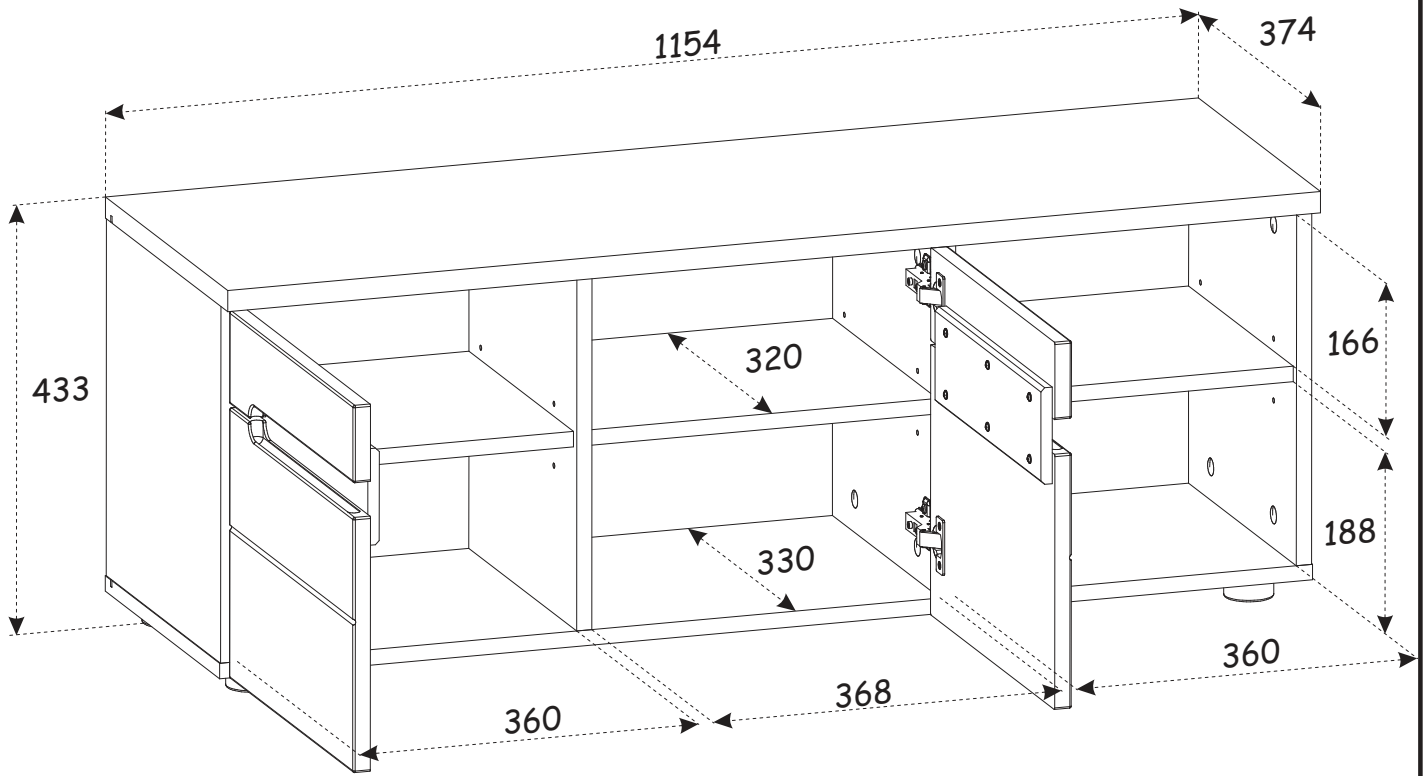


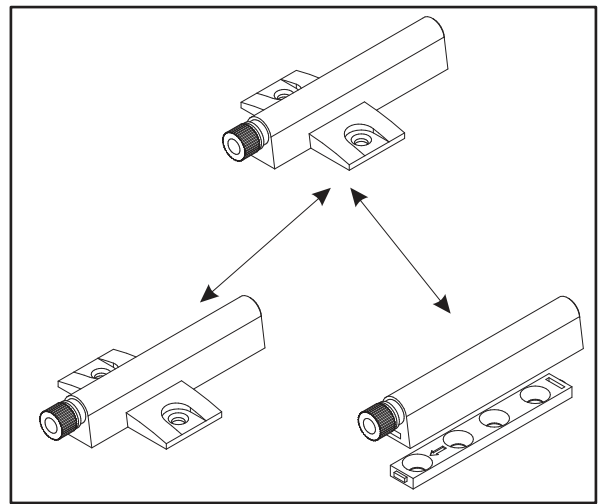
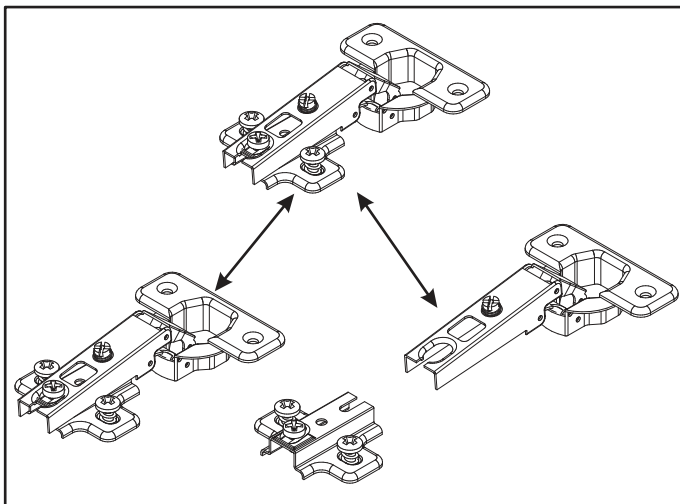
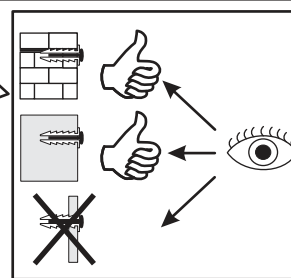
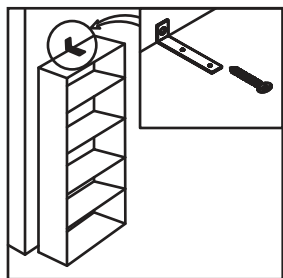
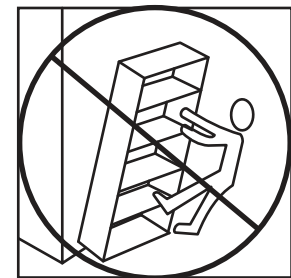
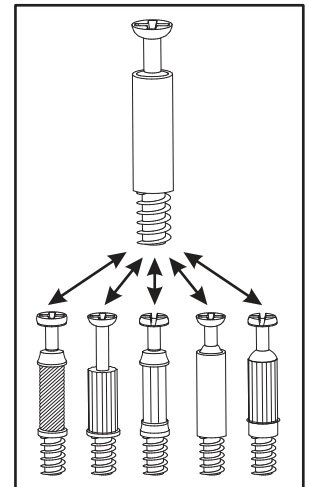
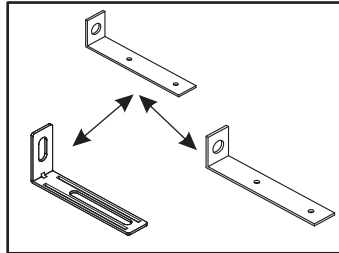
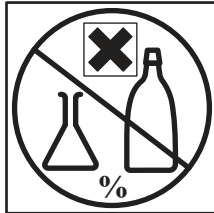
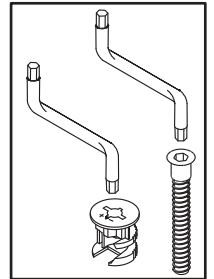
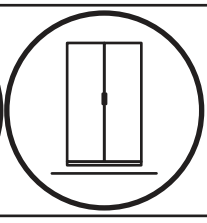
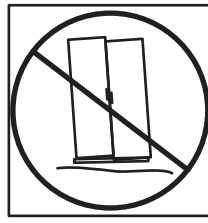
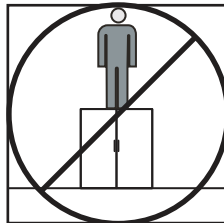
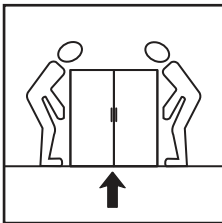
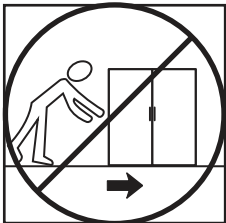
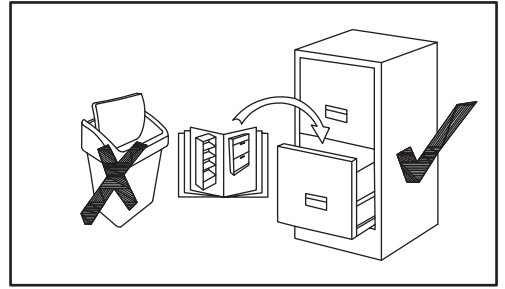
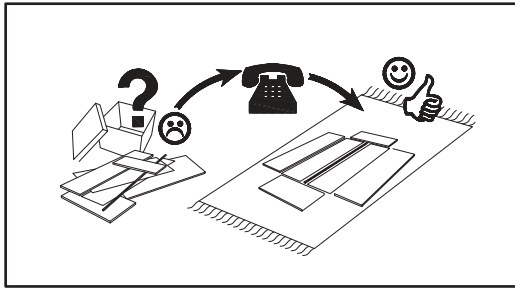
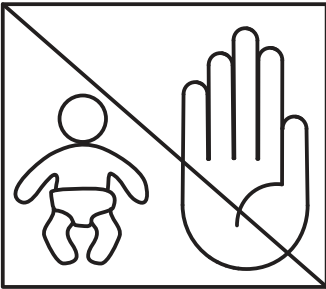
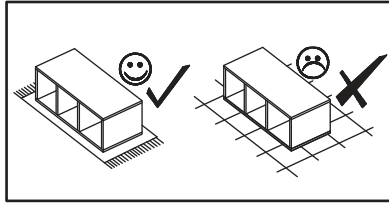
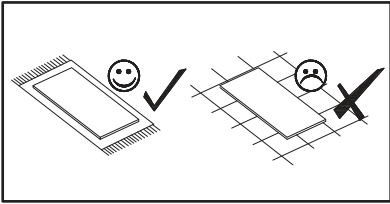
NO	Dim.[mm]			Col.-No	Qty
1	370	350	16	1/2	1
2	370	350	16	1/2	1
3	1154	350	16	2/2	1
4	1154	374	22	2/2	1
5	370	330	16	1/2	1
6	370	330	16	1/2	1
7	360	320	16	1/2	2
8	368	320	16	1/2	1
9	380	280	19	1/2	1
10	380	96	19	1/2	1
11	324	100	12	1/2	2
12	380	280	19	1/2	1
13	380	96	19	1/2	1
14	1132	382	3	2/2	1
15	1150	360	50	2/2	1



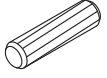
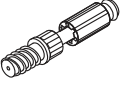
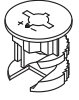

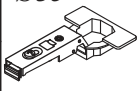

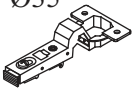
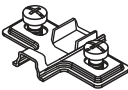



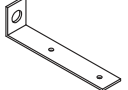






180 min





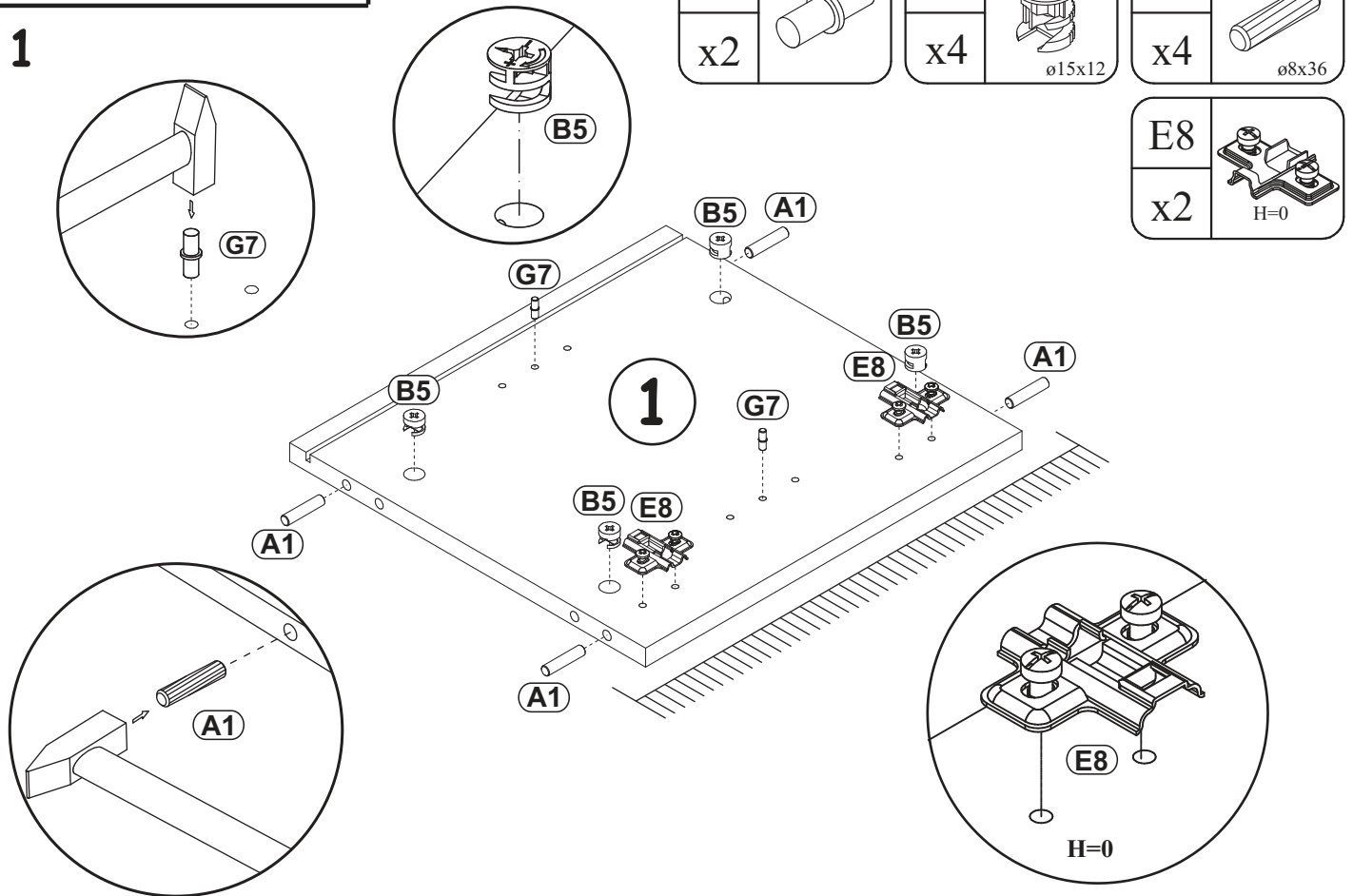


BELLANO 30G1__61

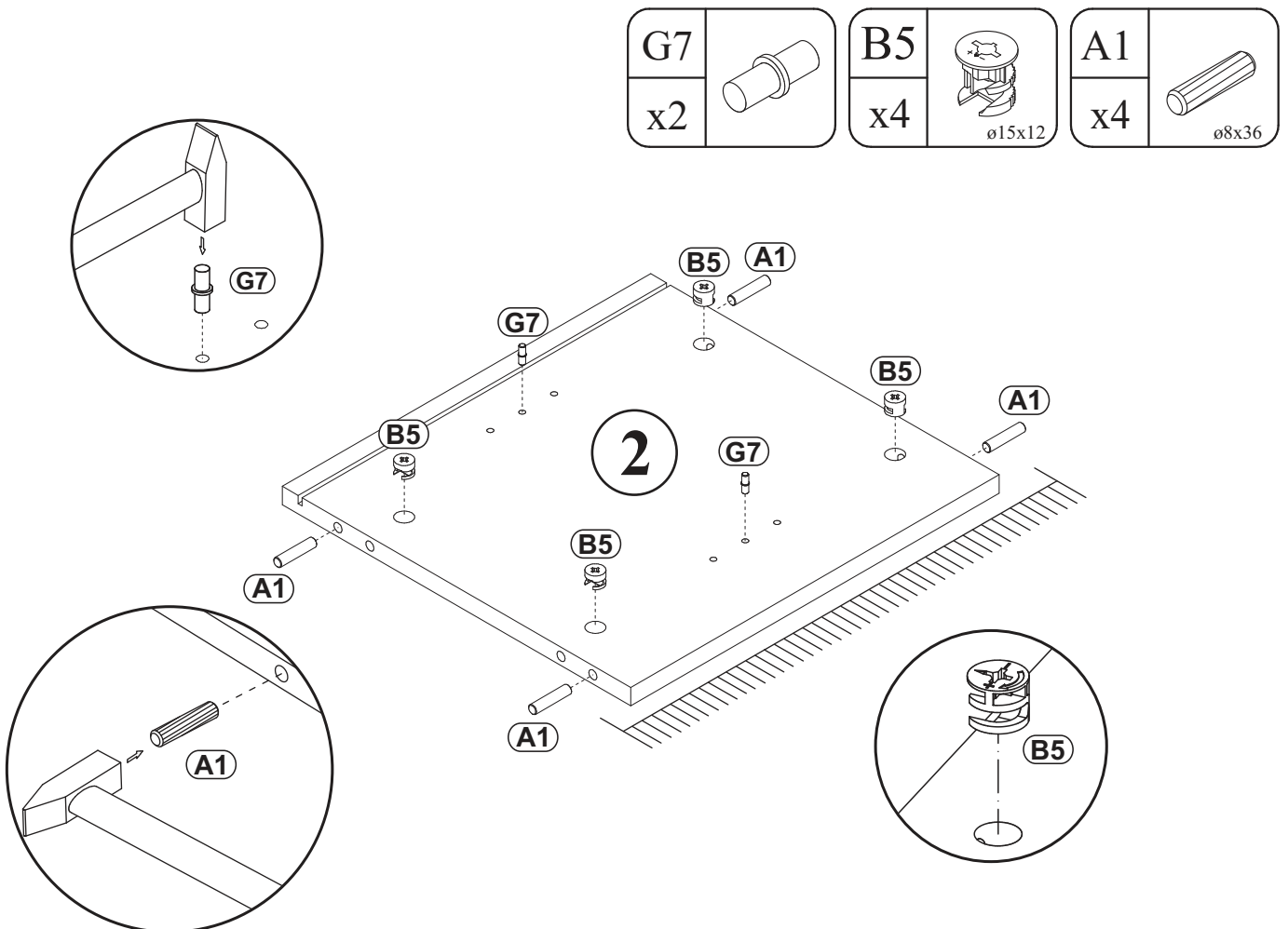
A1 x16  ø8x36	B4 x16 	B5 x16  ø15x12	G5 x16 	E7 x2 Ø35  H=0	E8 x2  H=0
E9 x2 Ø35  H=8	E28 x2 CD  H=2	ST7 x6 Ø50, h=25 	S1 x14 	G7 x12 	L1 x1 
D10 x10  USØ3,5x13	UP17 x12  UPØ4x25	UP9 x6  UPØ3,5x16	UP11 x6  UPØ4x20	KR1 x1 	G2 x1 

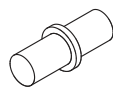
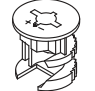
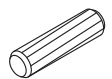


1

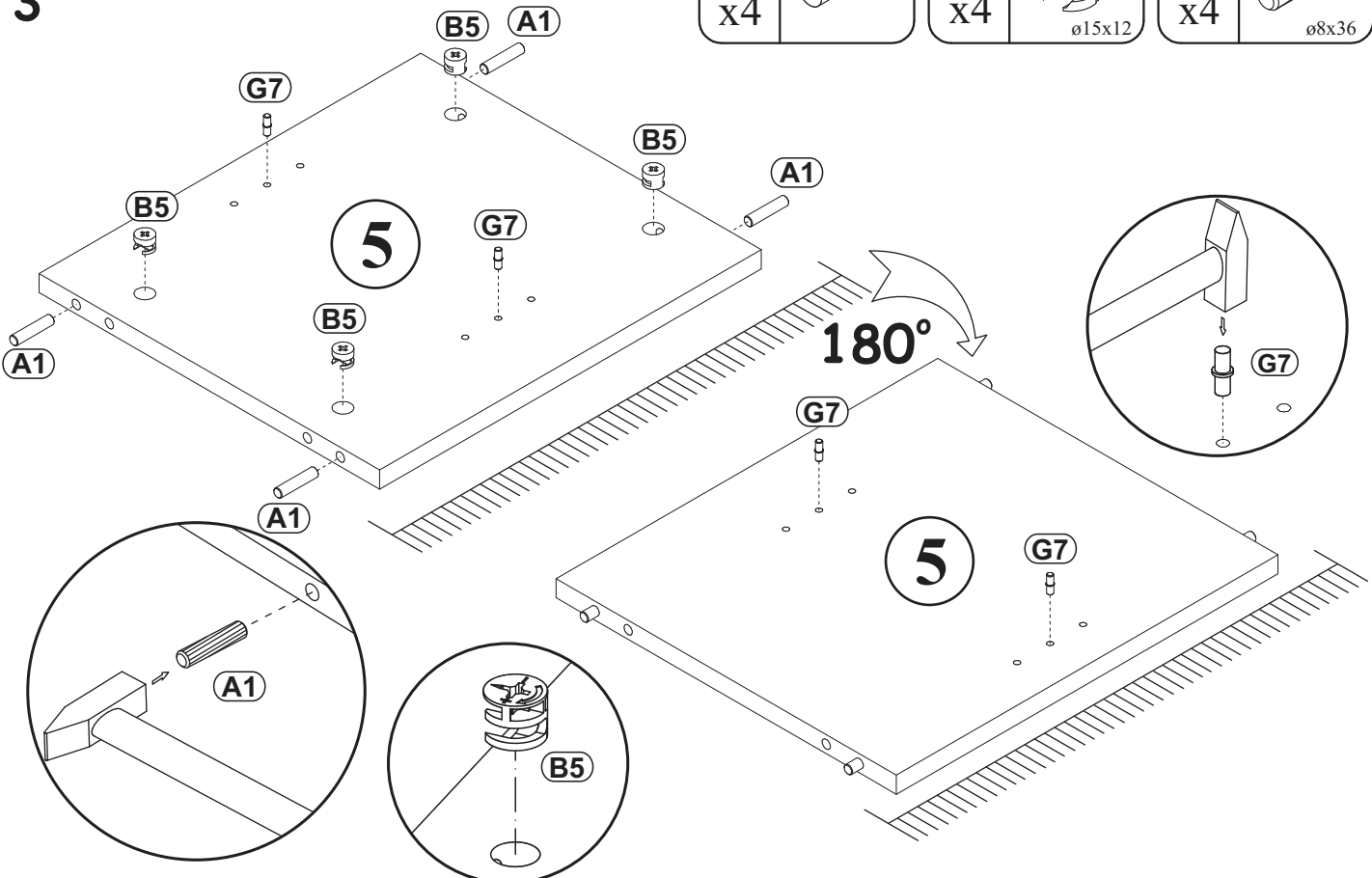


2

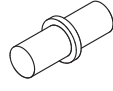
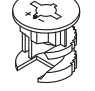
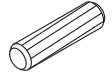


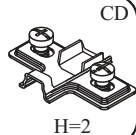
G7		B5		A1	
x4		x4	ø15x12	x4	ø8x36

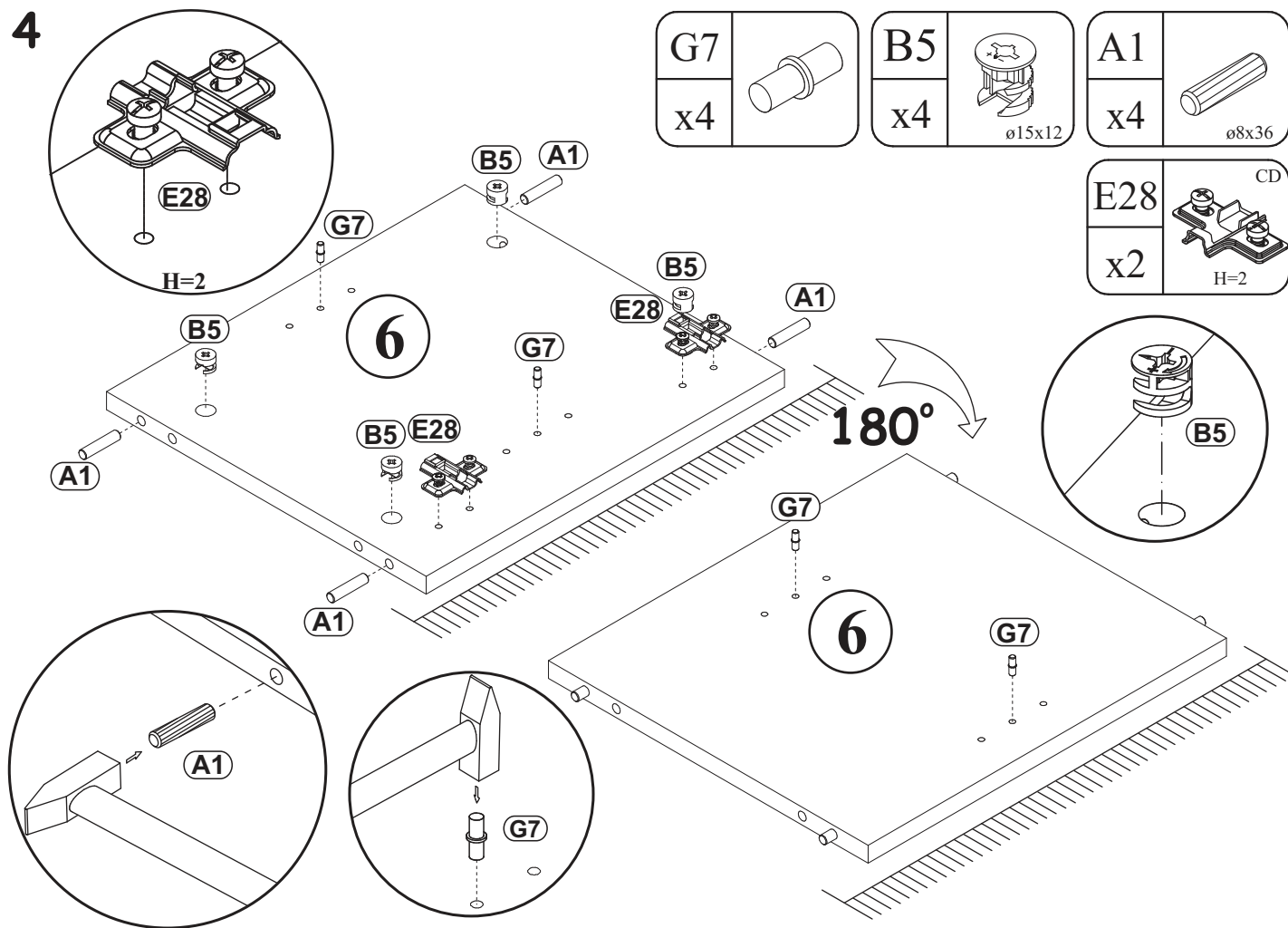
3



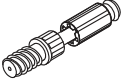
4

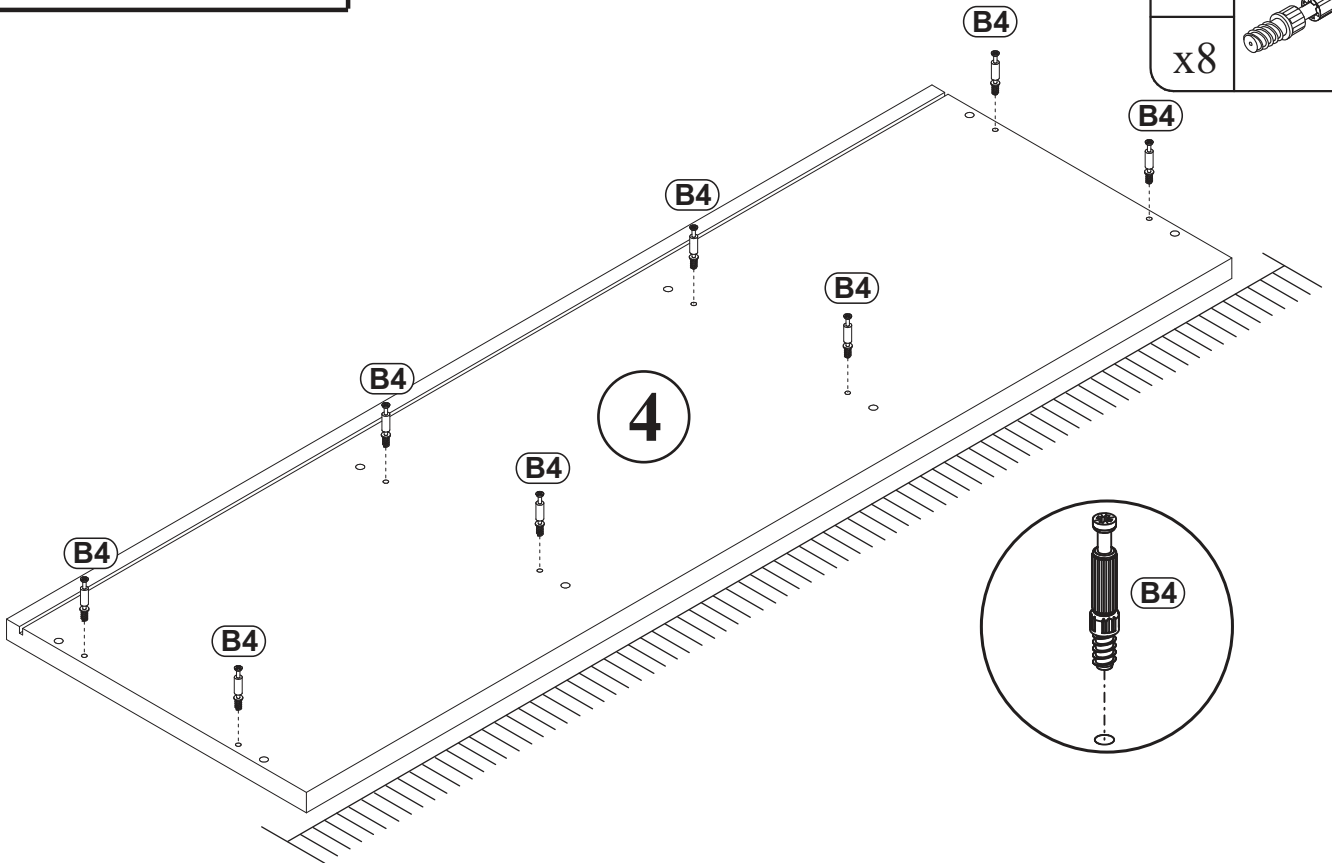
G7		B5		A1	
x4		x4	ø15x12	x4	ø8x36

E28	
x2	CD H=2

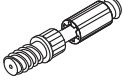



5

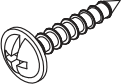
B4	
x8	

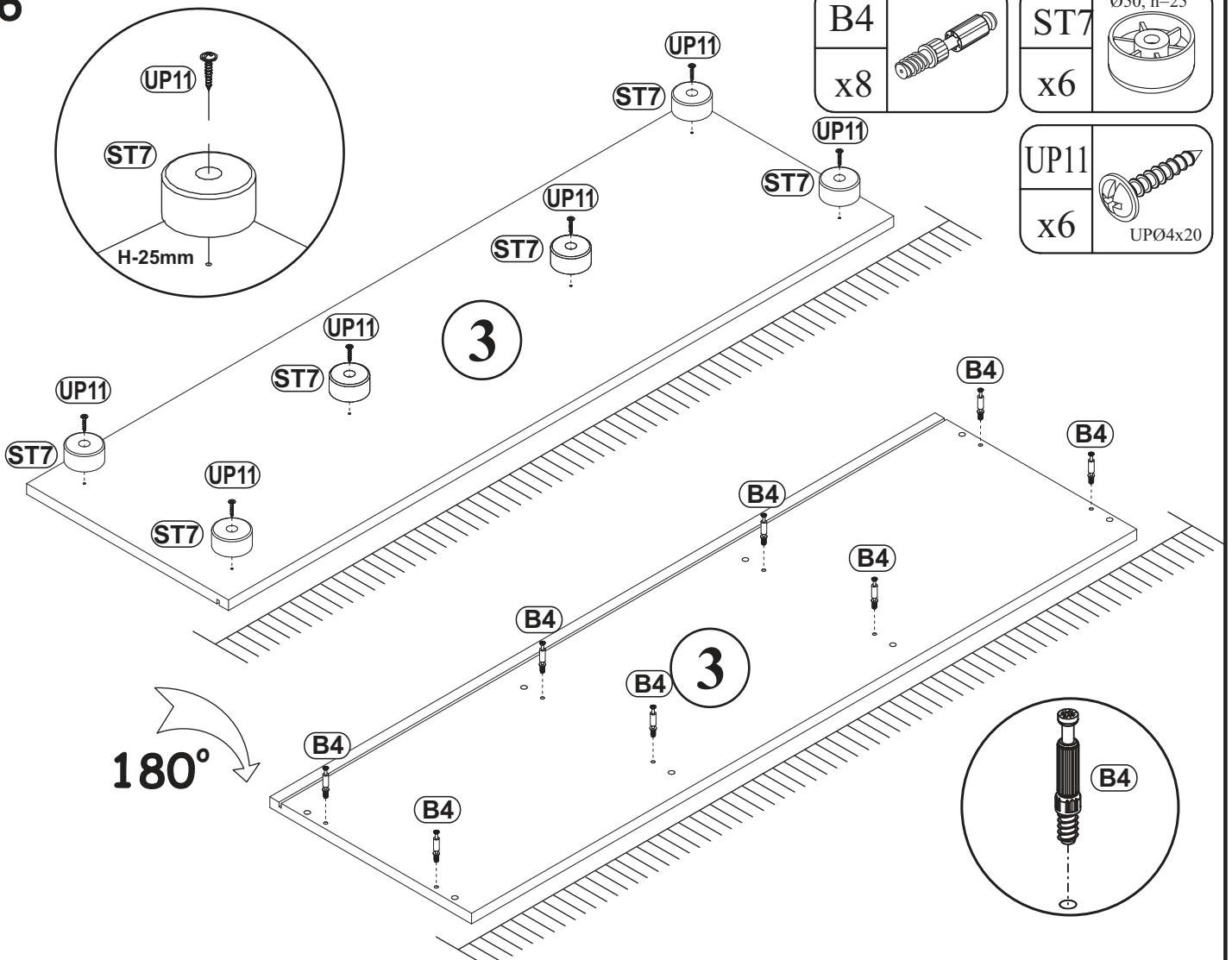


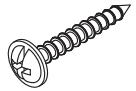
6

B4	
x8	

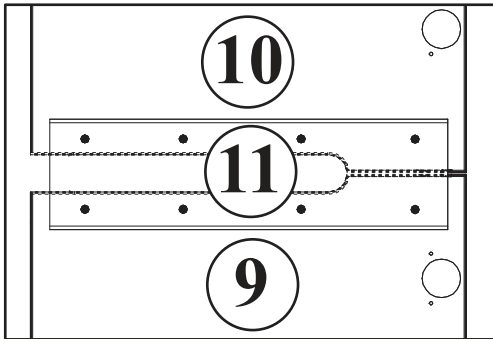
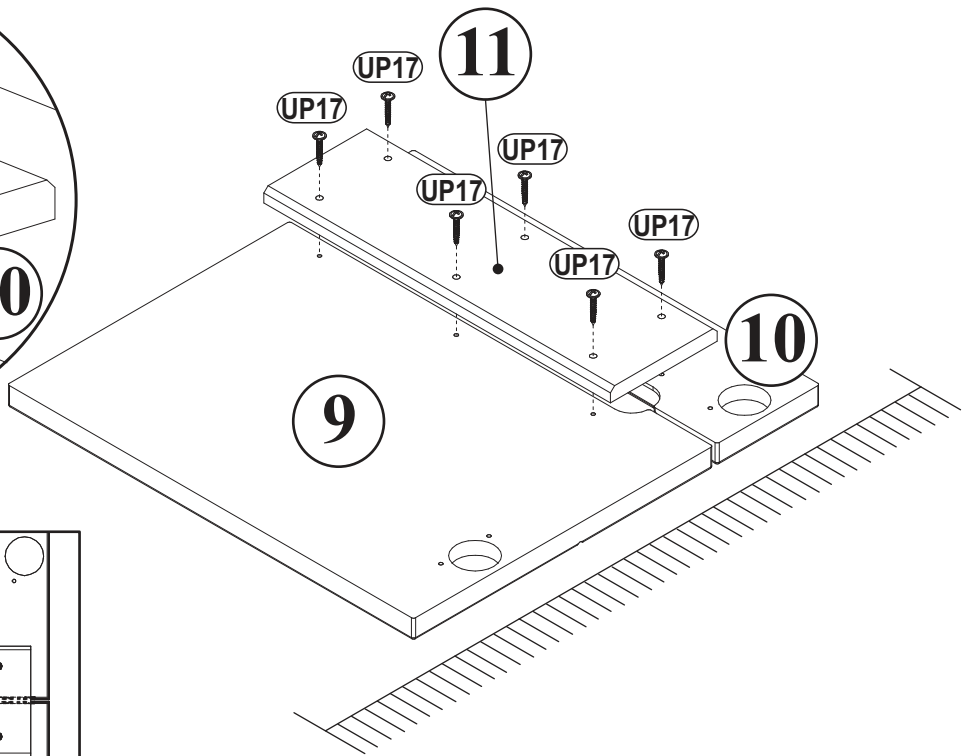
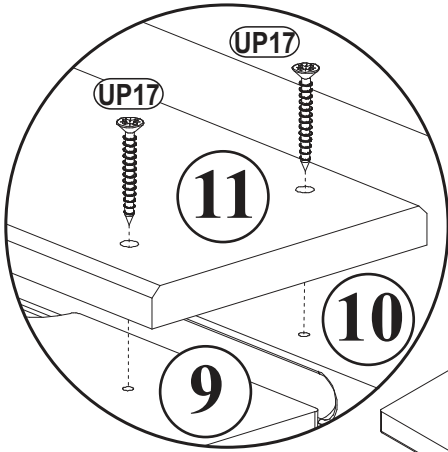
ST7	 Ø50, h=25
x6	

UP11	 UPØ4x20
x6	

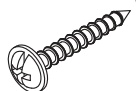


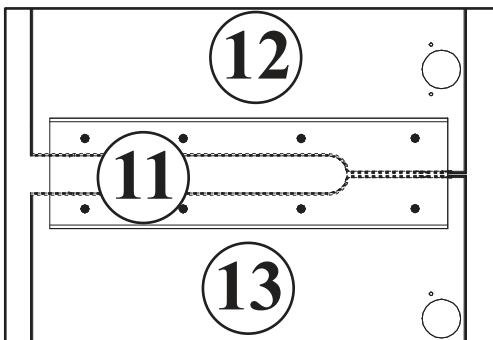
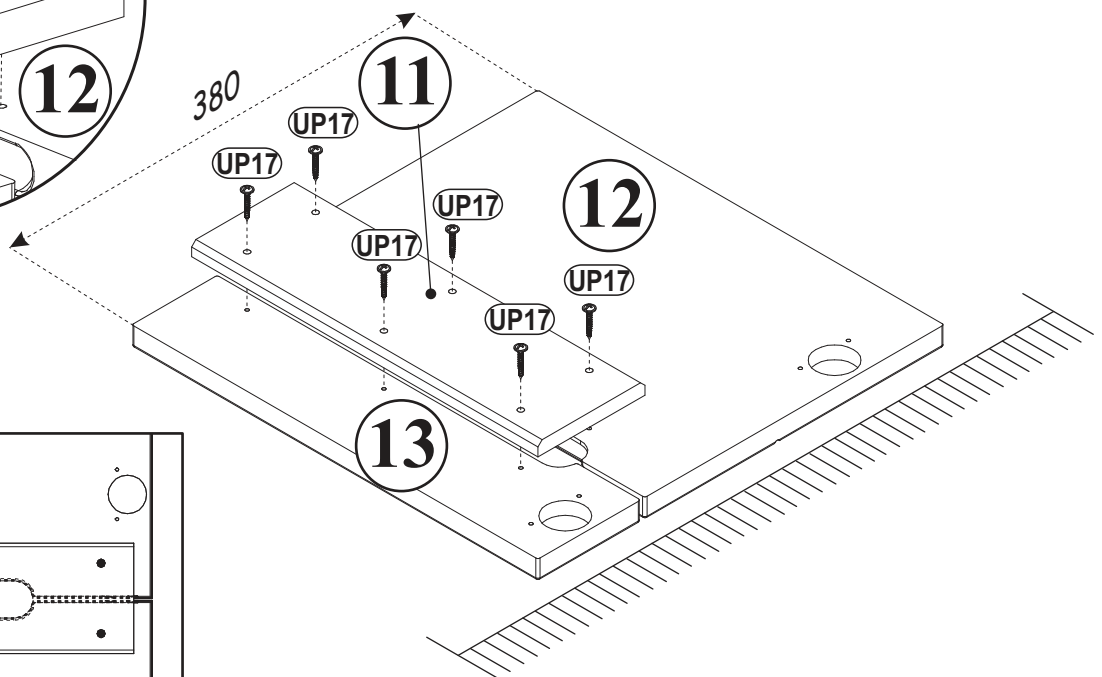
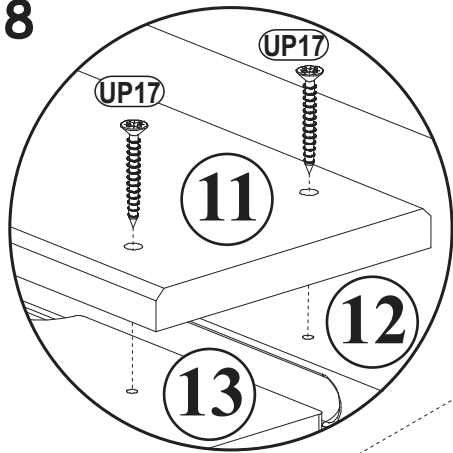
UP17	
x6	UPØ4x25

7

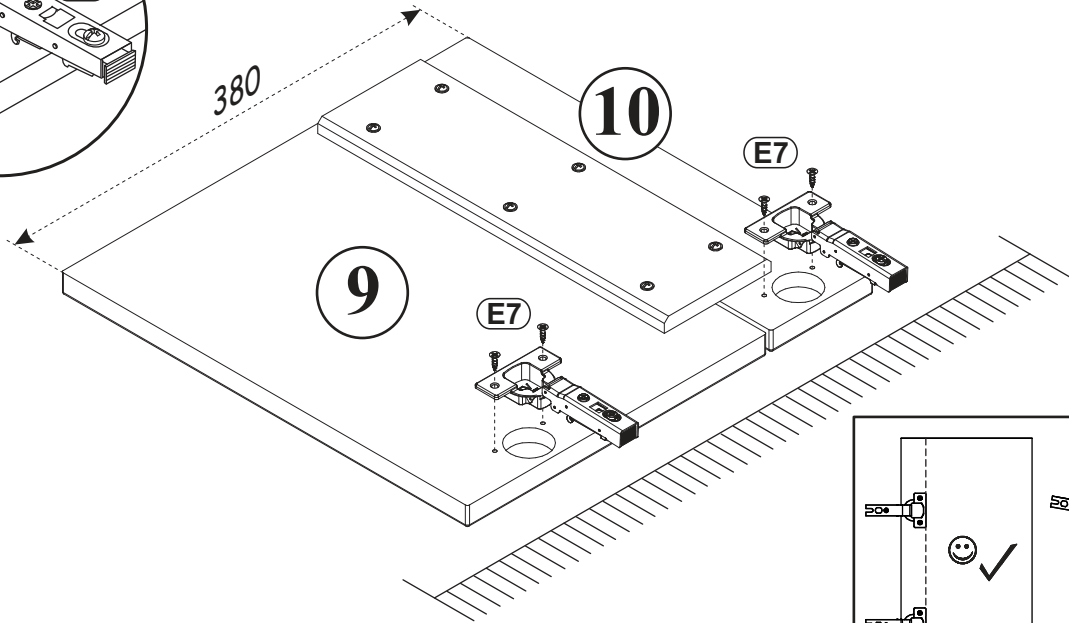
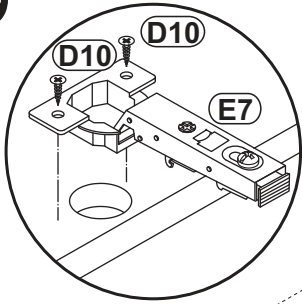


8

UP17	
x6	UPØ4x25

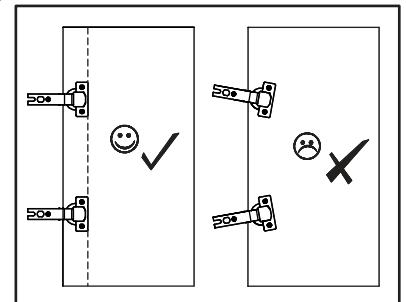


9

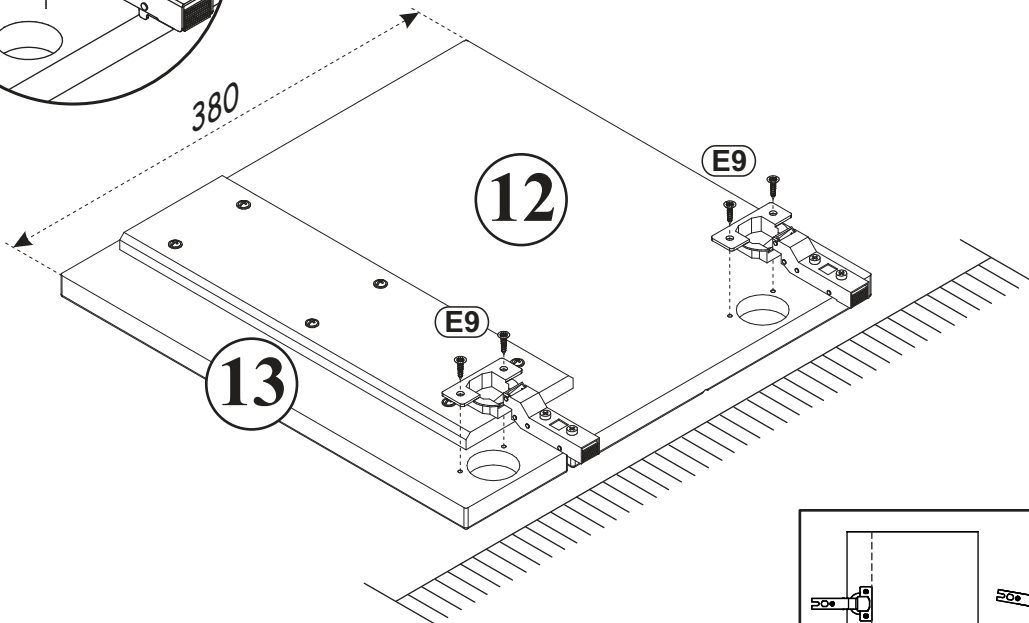
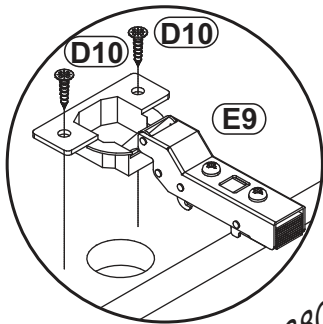


D10	
x4	USØ3,5x13

E7	Ø35
x2	
	H=0

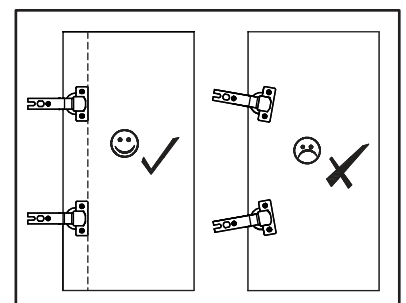




10



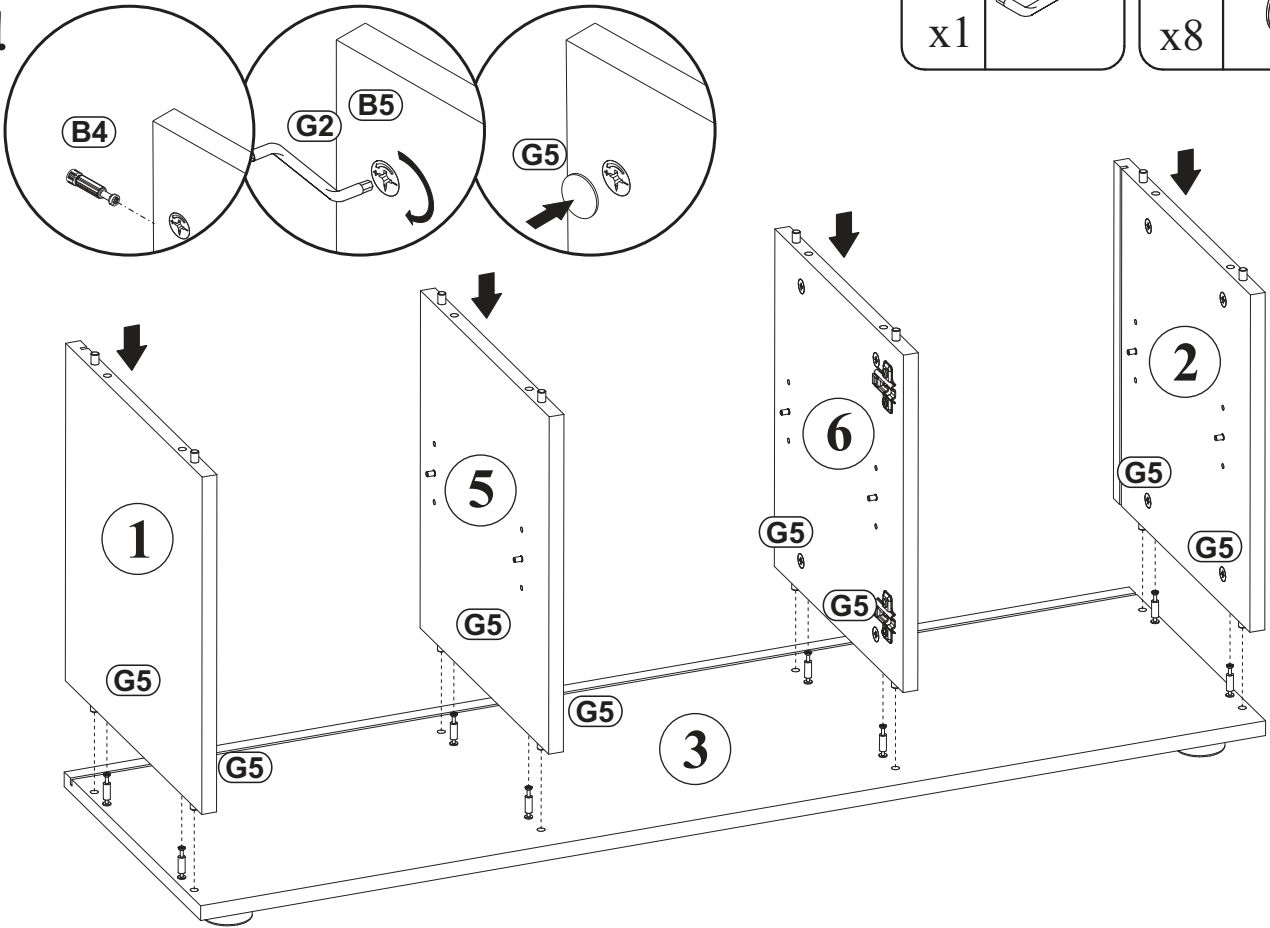
D10	
x4	USØ3,5x13

E9	Ø35
x2	
	H=8

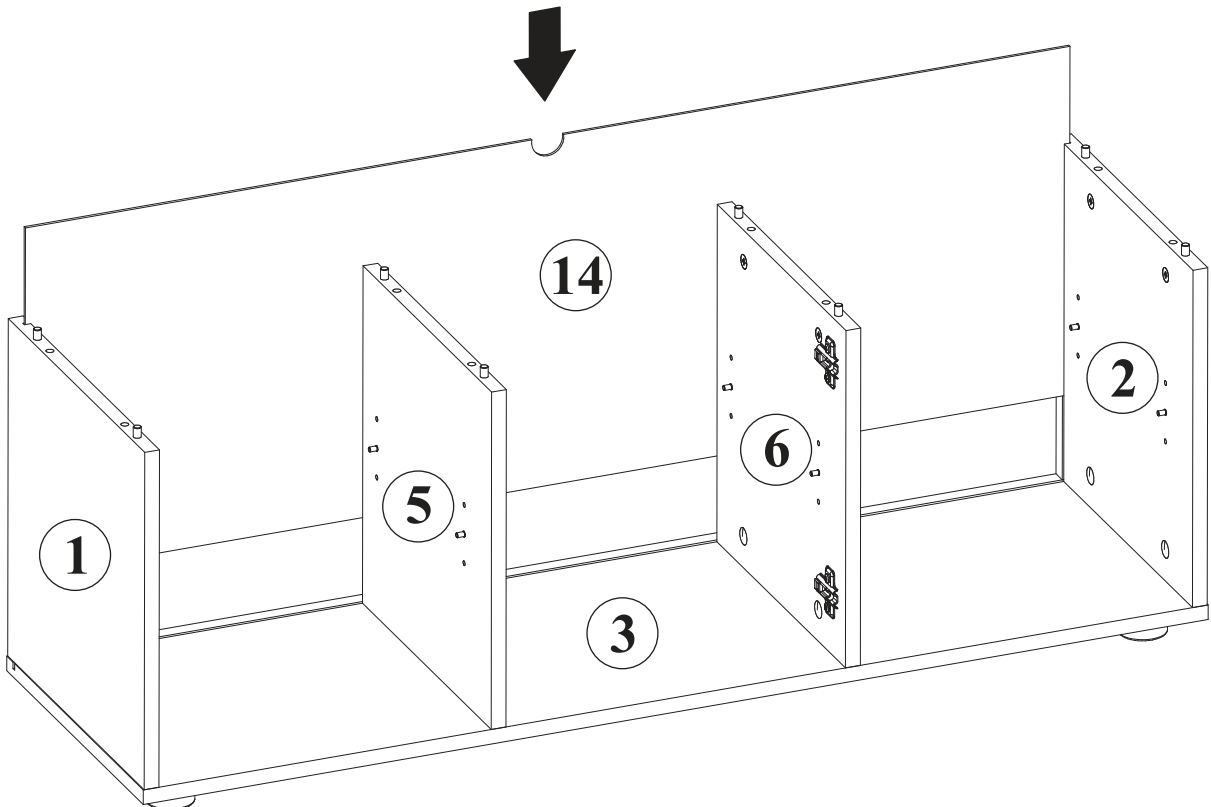


G2		G5	
x1		x8	

11

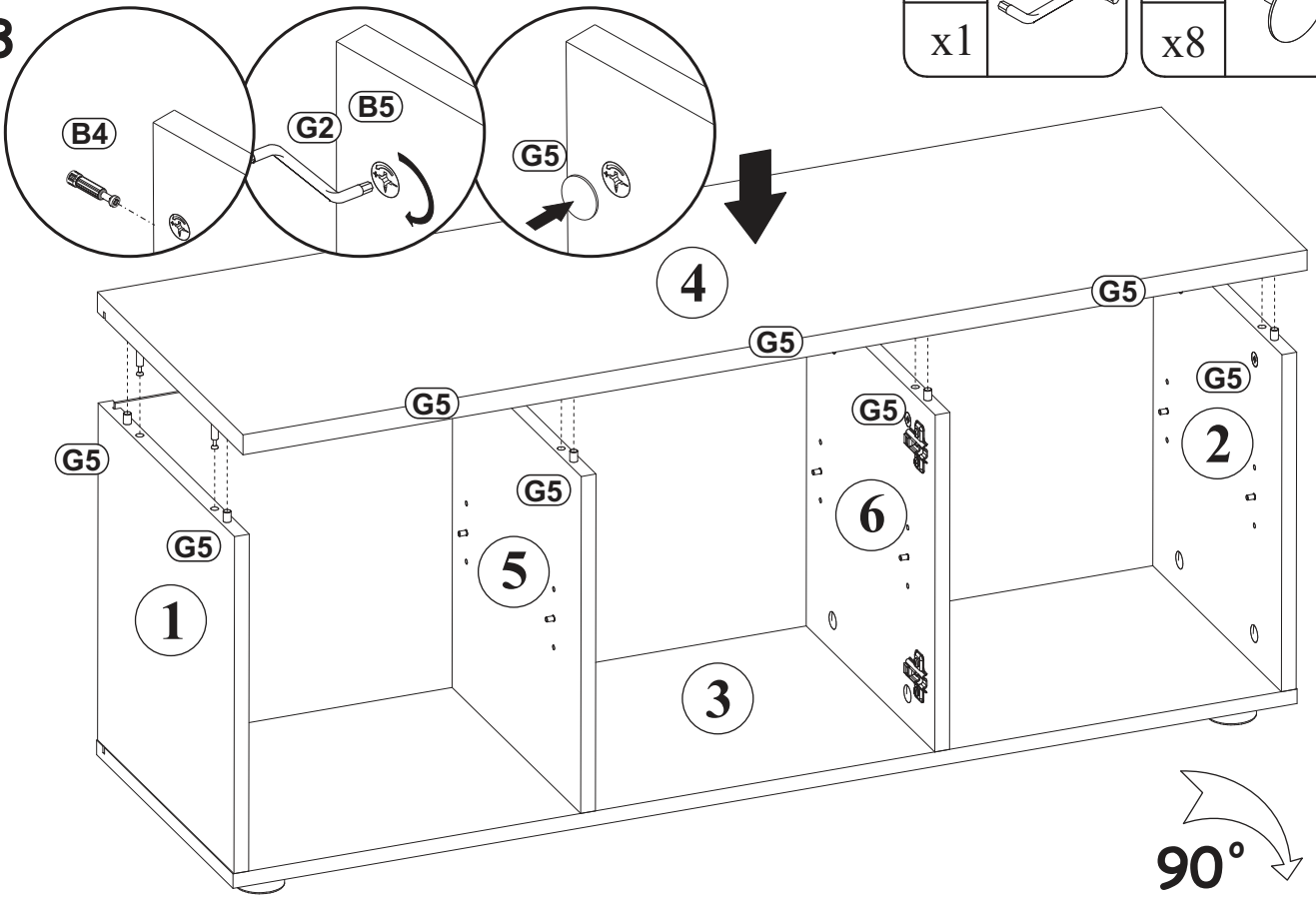


12

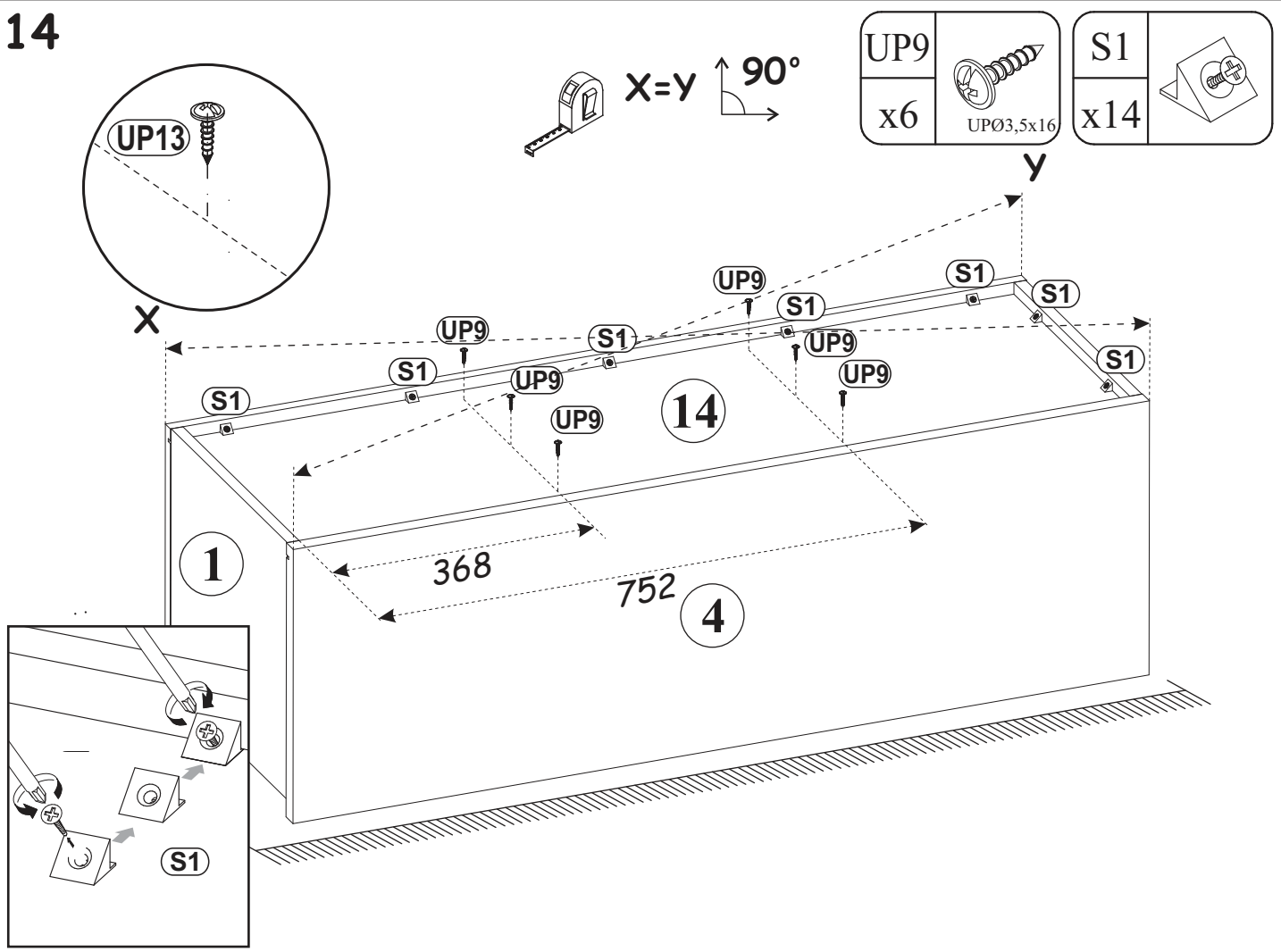


G2		G5	
x1		x8	

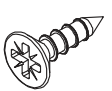
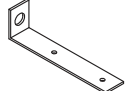

13

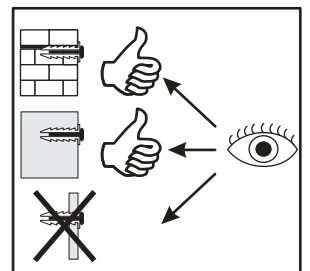
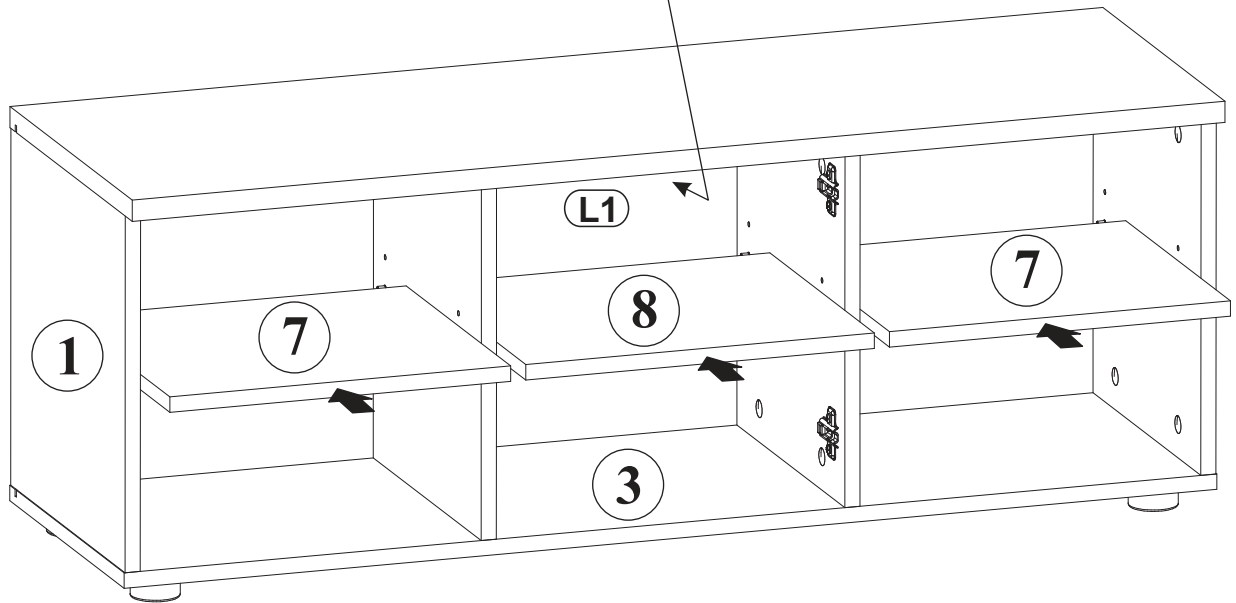
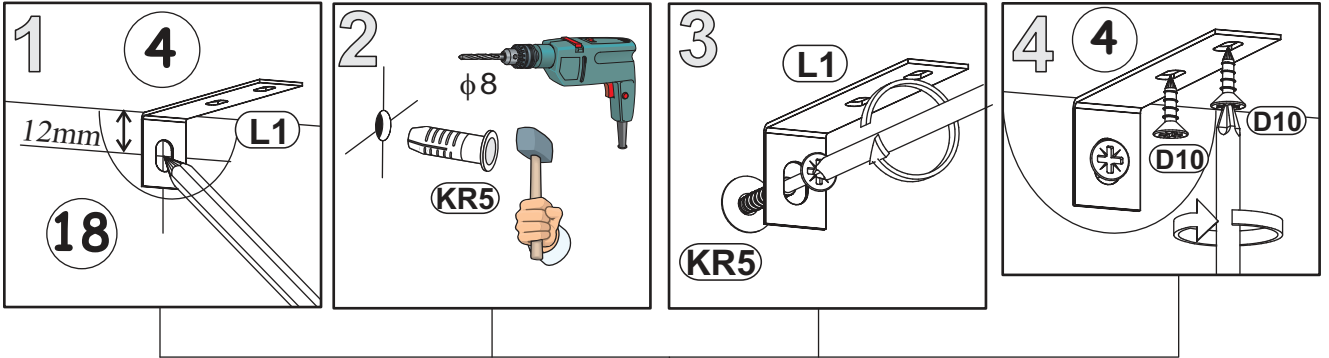


14

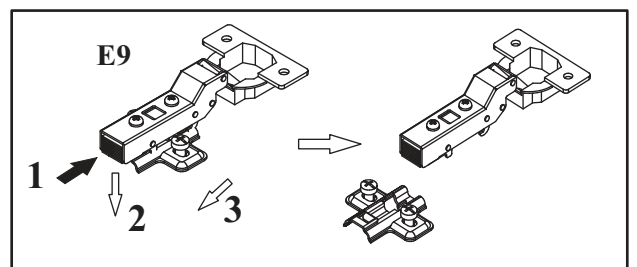
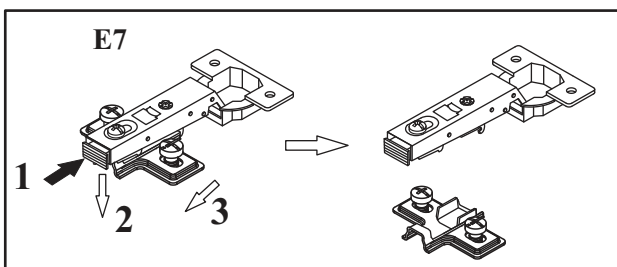
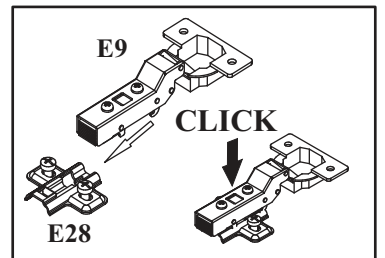
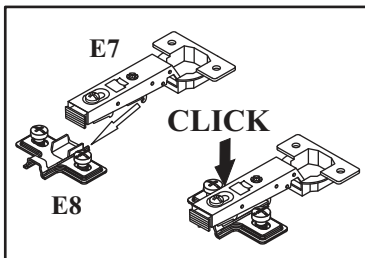
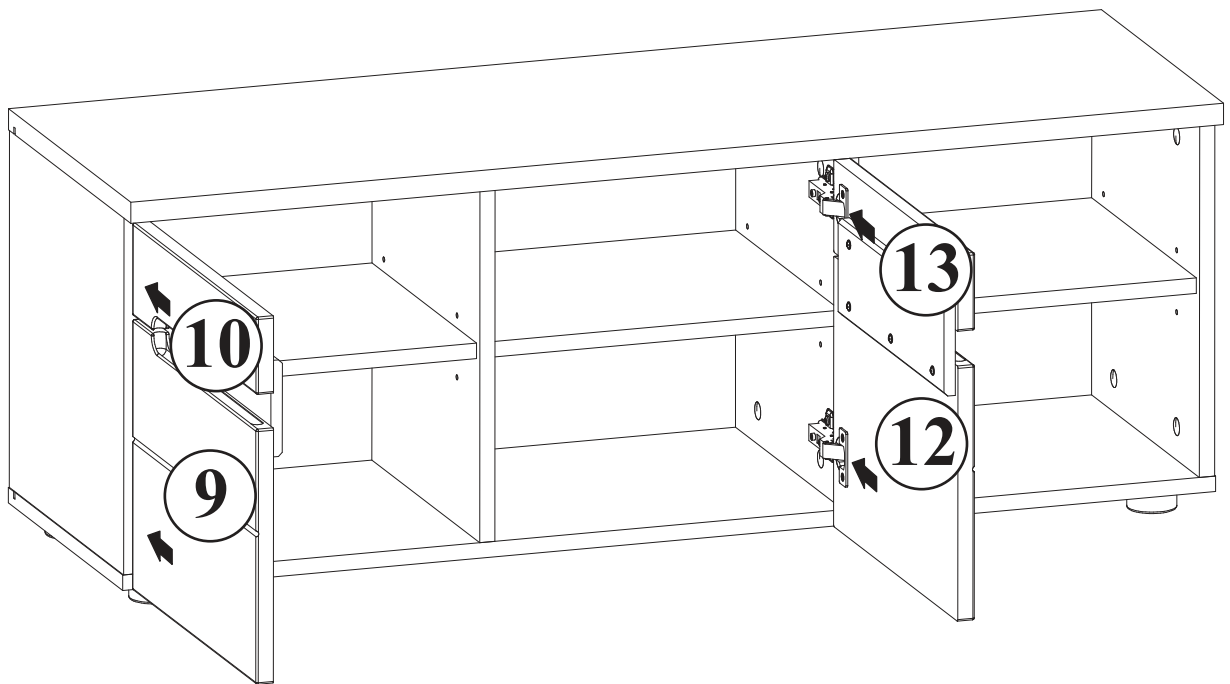
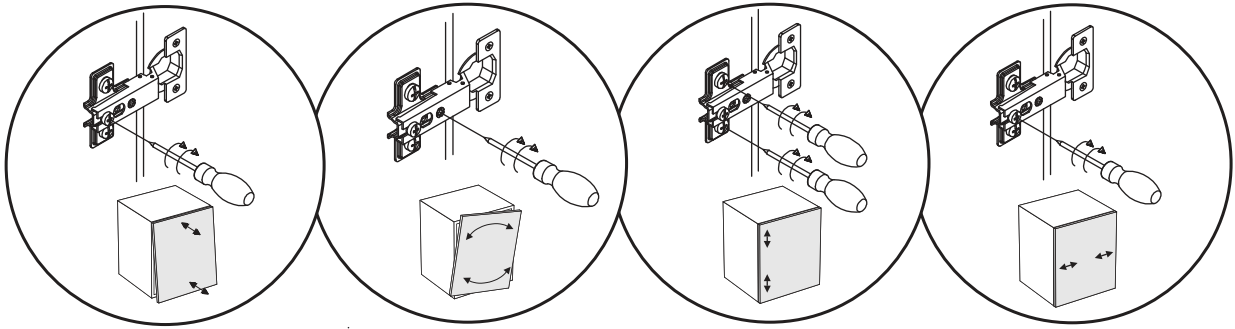


15

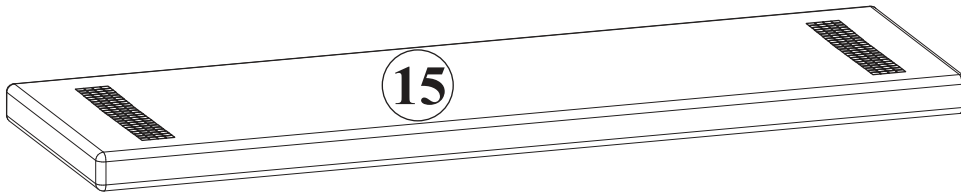
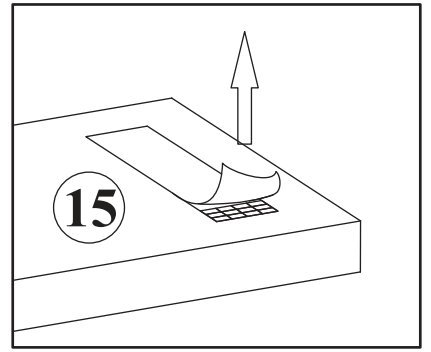
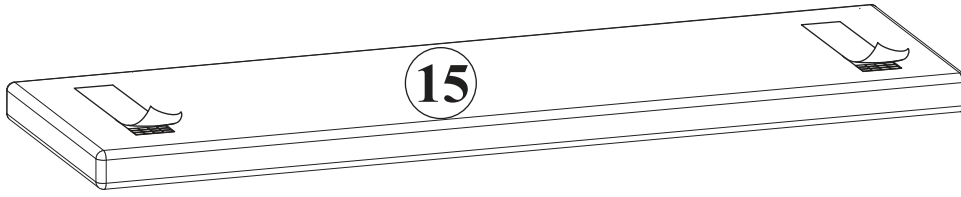
D10		L1		KR1	
x2	US03,5x13	x1		x1	



16



17



180°

