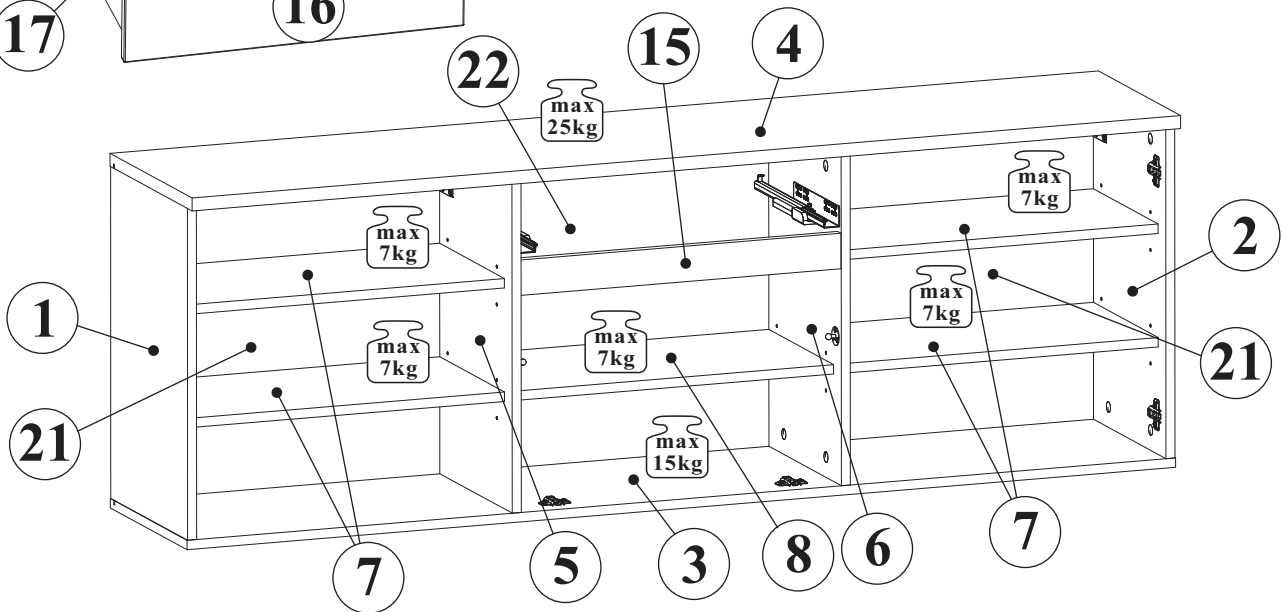
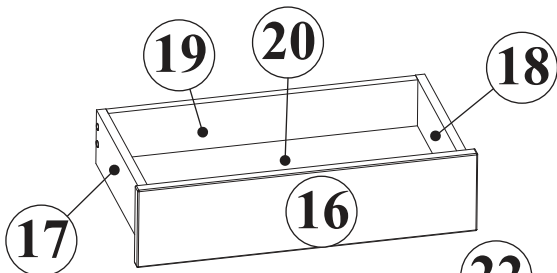
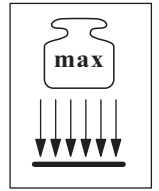
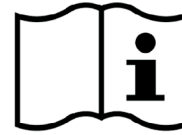
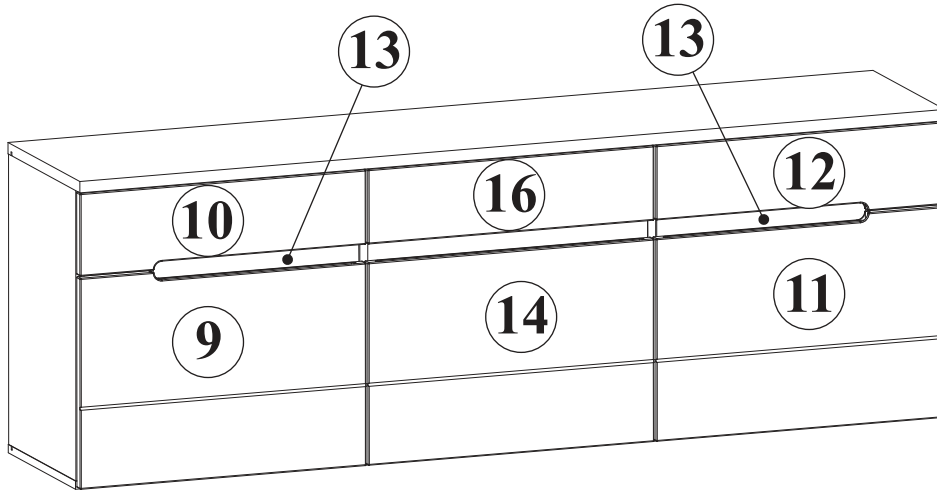
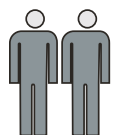


BELLANO 30G1_14

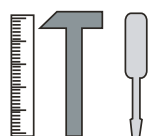


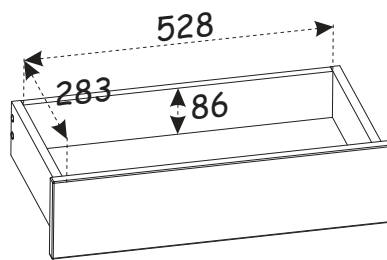
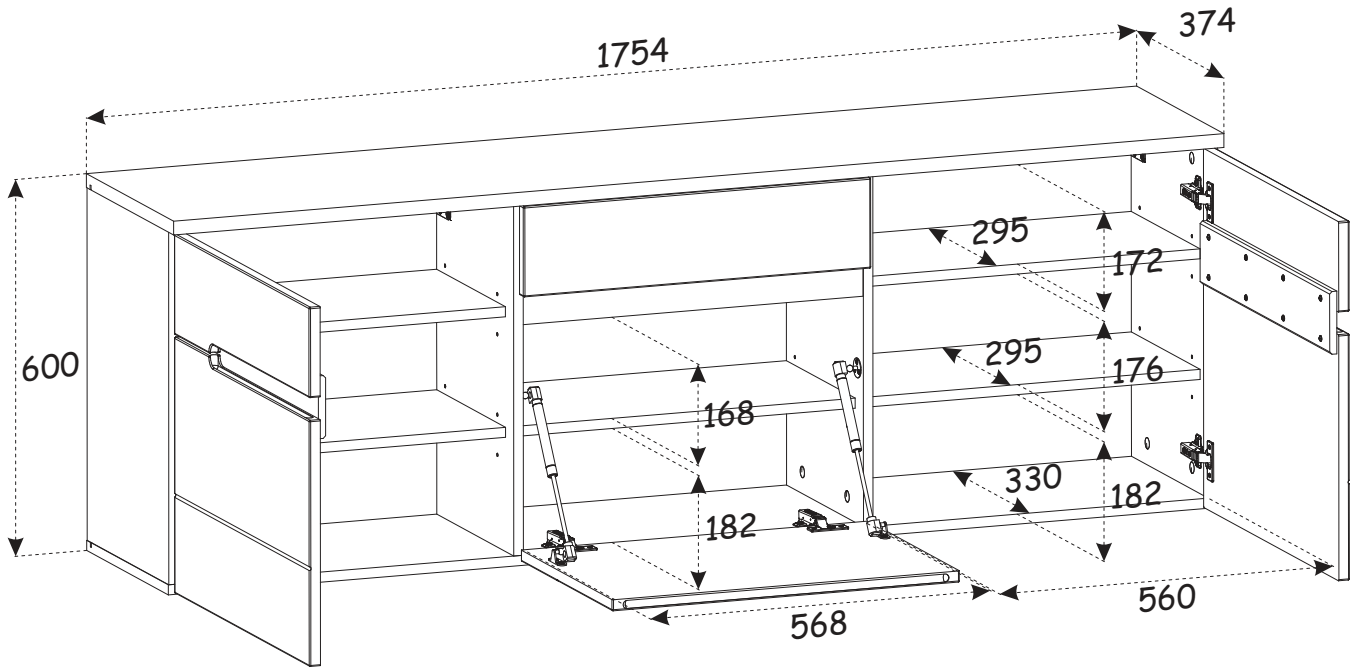
NO	Dim.[mm]			Col.-No	Qty
1	562	350	16	2/2	1
2	562	350	16	2/2	1
3	1754	350	16	2/2	1
4	1754	374	22	2/2	1
5	562	330	16	2/2	1
6	562	330	16	2/2	1
7	560	295	16	1/2	2
7	560	295	16	2/2	2
8	568	295	16	1/2	1
9	580	408	19	1/2	1
10	580	160	19	1/2	1
11	580	408	19	1/2	1
12	580	160	19	1/2	1

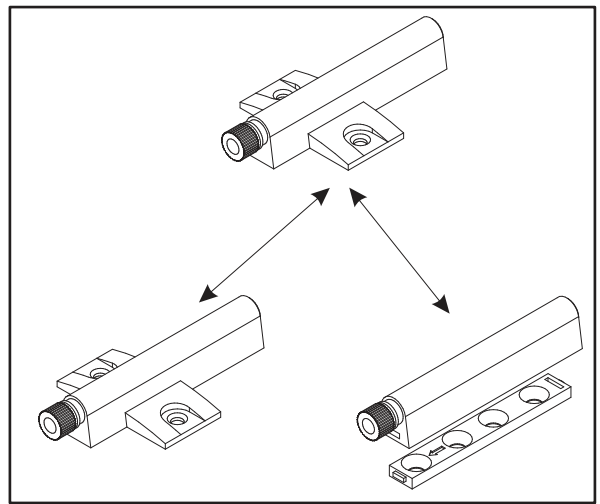
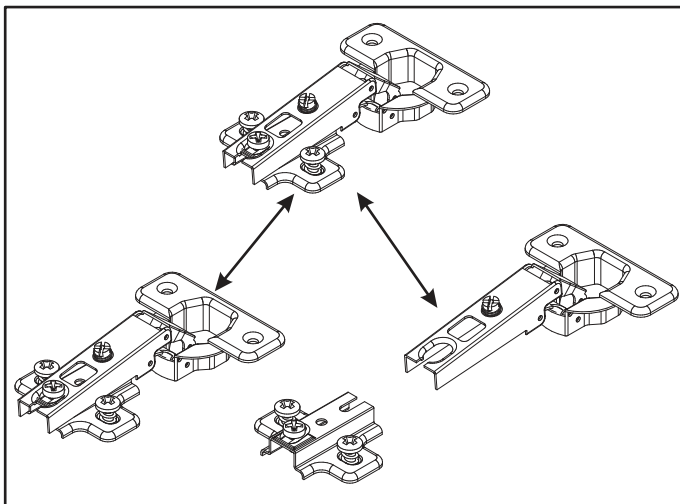
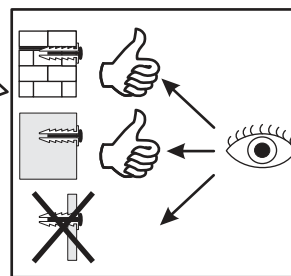
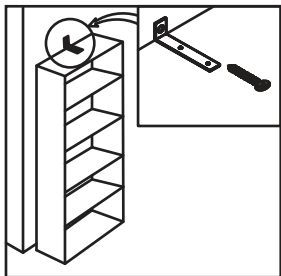
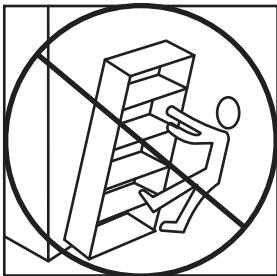
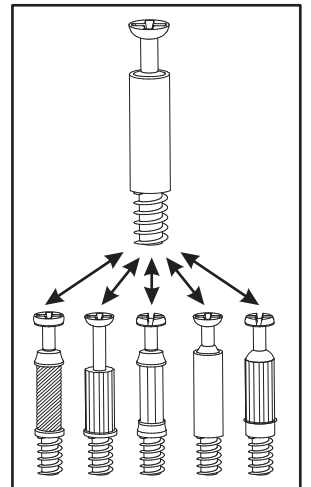
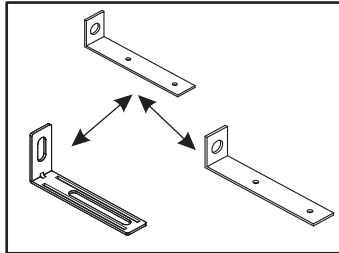
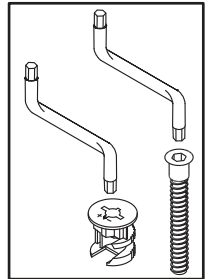
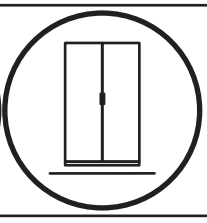
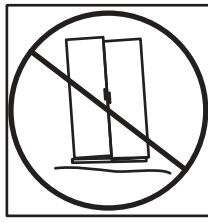
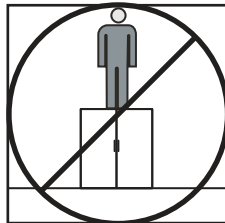
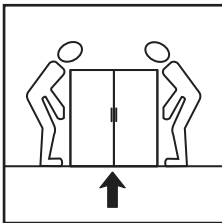
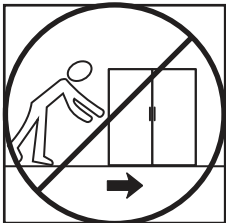
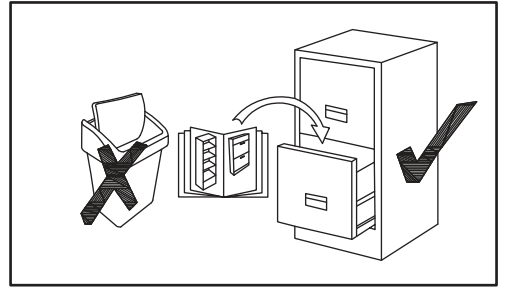
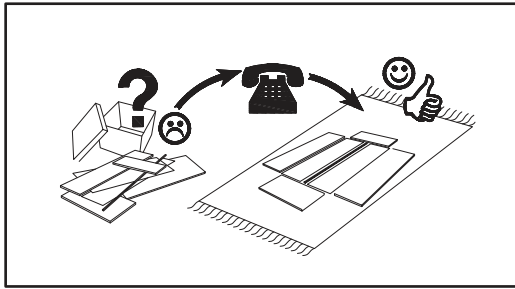
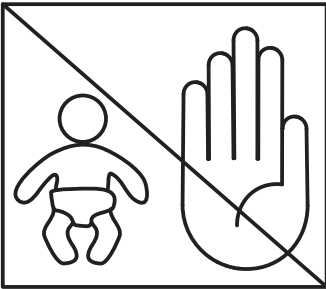
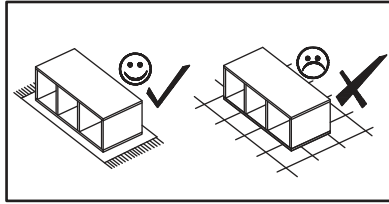
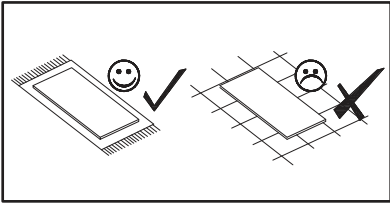
NO	Dim.[mm]			Col.-No	Qty
13	556	100	12	1/2	2
14	580	392	19	1/2	1
15	568	60	16	1/2	1
16	580	144	19	1/2	1
17	300	100	16	1/2	1
18	300	100	16	1/2	1
19	528	86	16	1/2	1
20	304	540	3	1/2	1
21	574	573	3	1/2	2
22	574	582	3	1/2	1




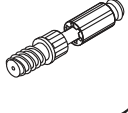


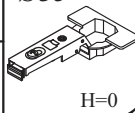
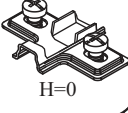
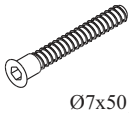

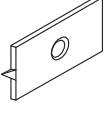
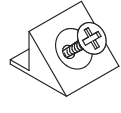
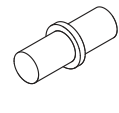


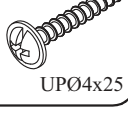
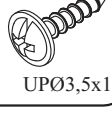

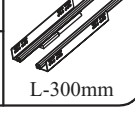
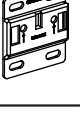
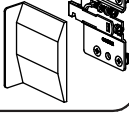
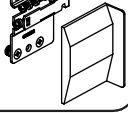
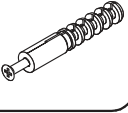

180 min





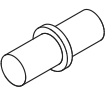
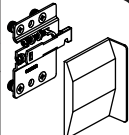

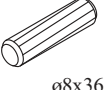


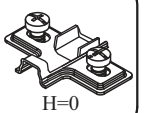
BELLANO 30G1__14

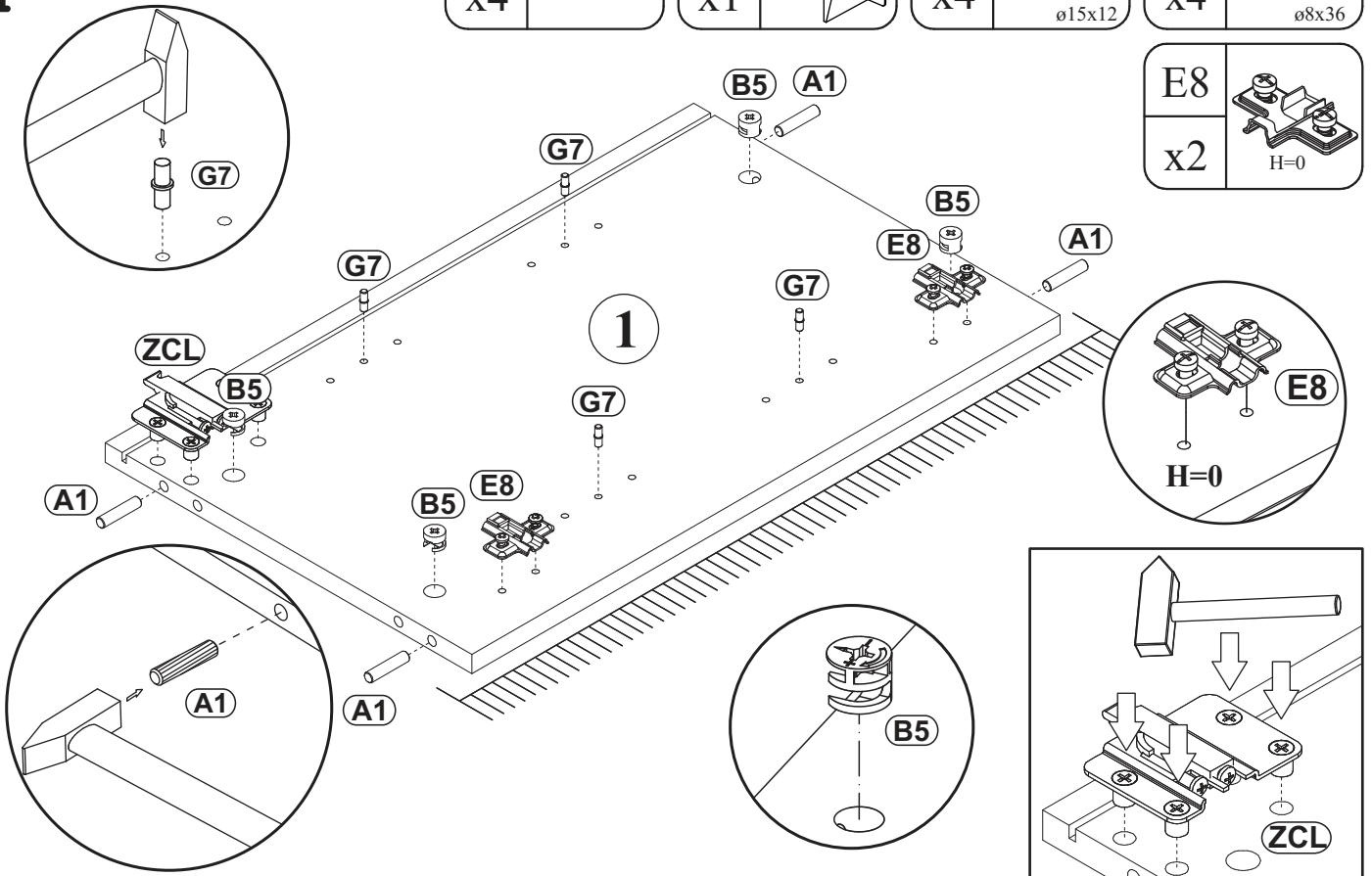
A1 x20  ø8x36	B4 x20 	B5 x20  ø15x12	G5 x20 	E7 x6  Ø35 H=0	E8 x6  H=0
B11 x4  Ø7x50	G4 x4 	G16 x8 	S1 x24 	G7 x20 	BO1 x2 
D10 x26  USØ3,5x13	UP17 x16  UPØ4x25	UP9 x14  UPØ3,5x16	D20 x4  ESØ6,3x9,5	QU2 x1  L-300mm	SZC x4 
ZCR x2 	ZCL x2 	KR1 x16 	G2 x1 		



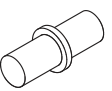
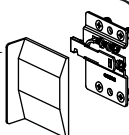

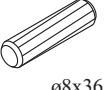
1

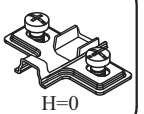
G7 x4		ZCL x1		B5 x4	 ø15x12	A1 x4	 ø8x36
----------	---	-----------	---	----------	---	----------	--

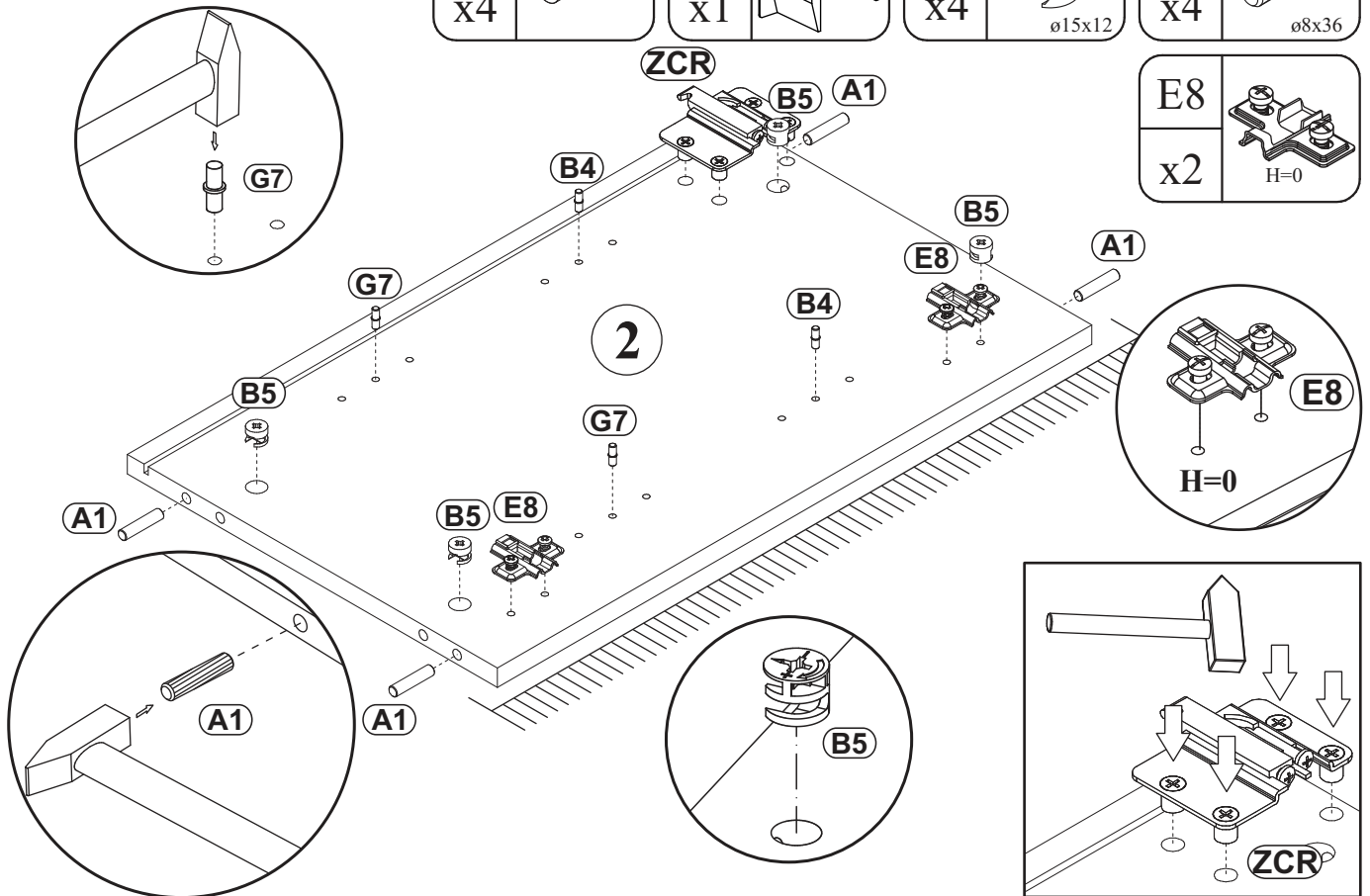
E8 x2	 H=0
----------	--



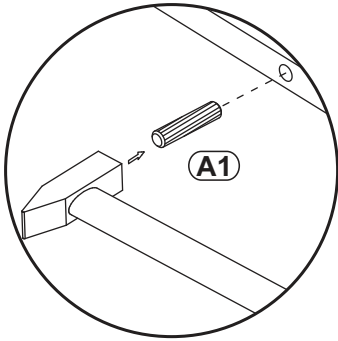
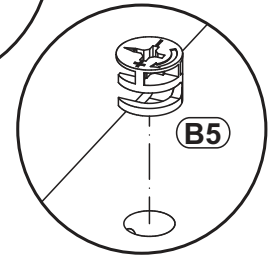
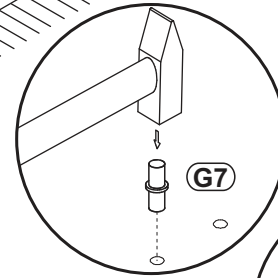
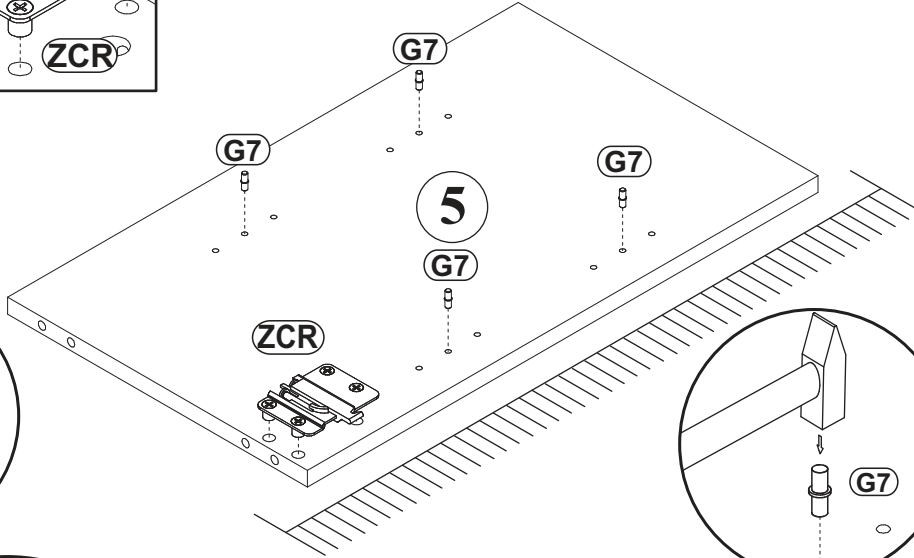
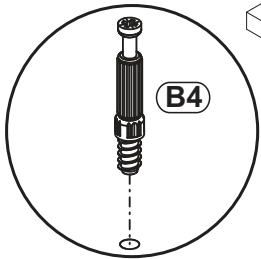
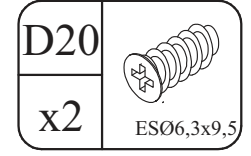
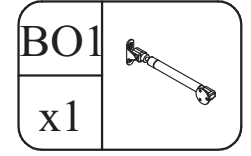
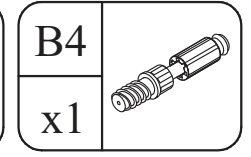
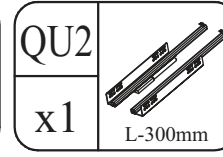
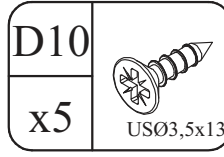
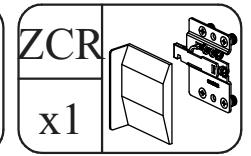
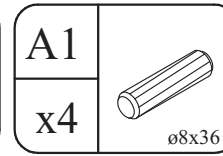
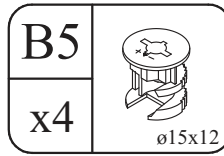
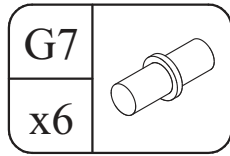
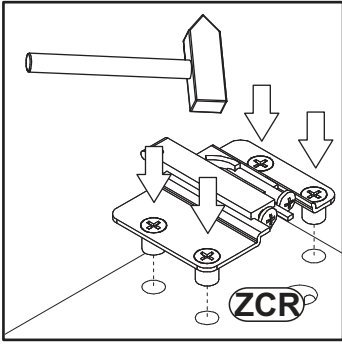
2

G7 x4		ZCR x1		B5 x4	 ø15x12	A1 x4	 ø8x36
----------	---	-----------	--	----------	---	----------	--

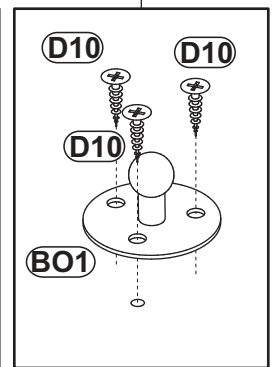
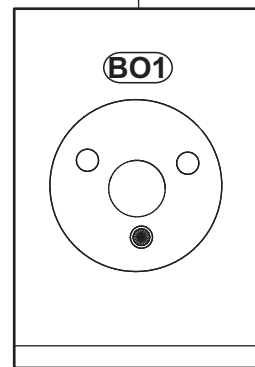
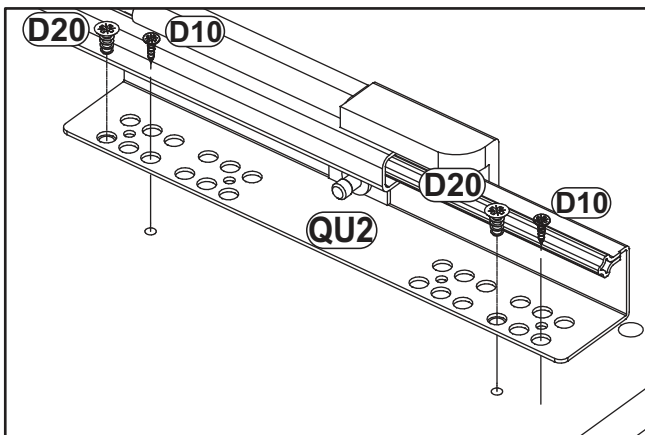
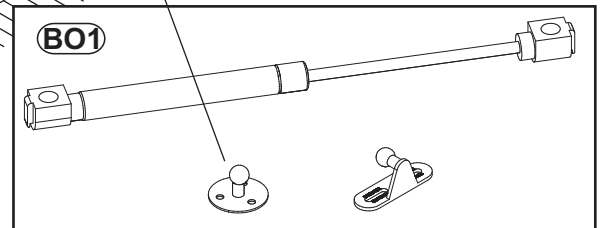
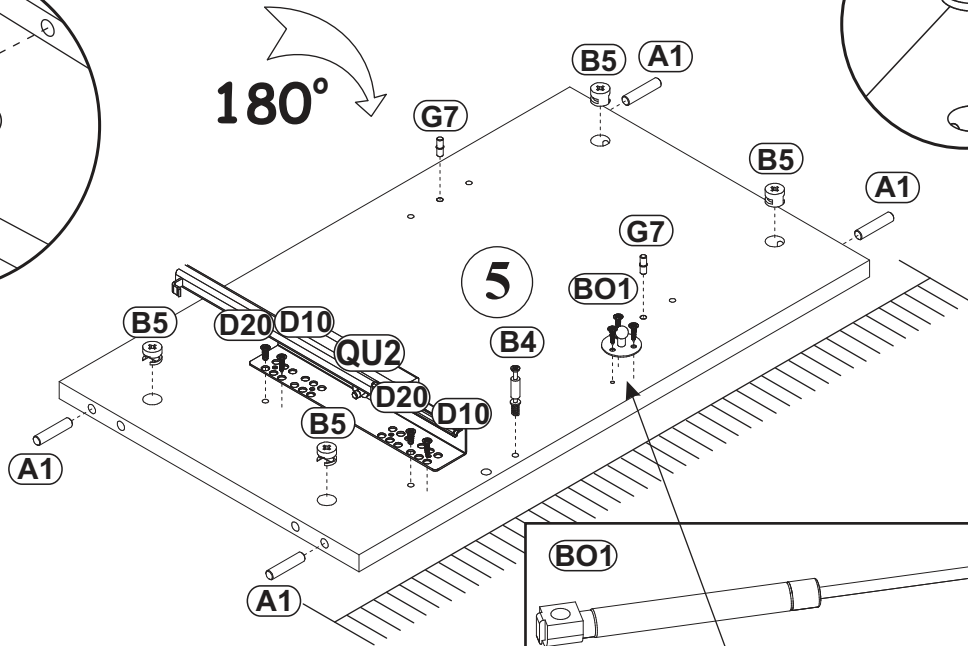
E8 x2	 H=0
----------	--



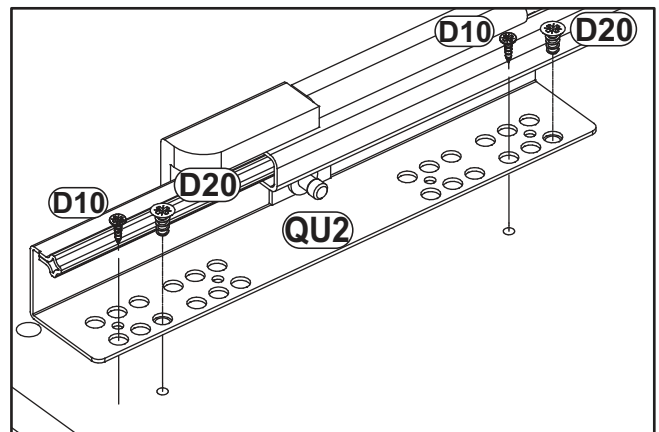
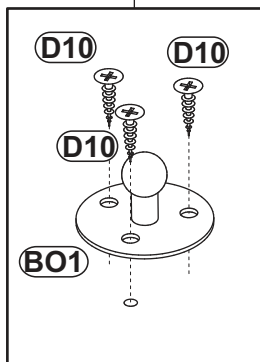
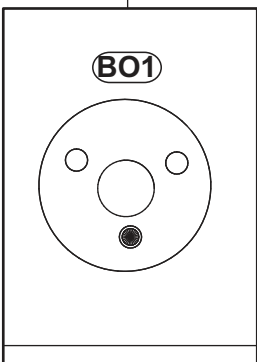
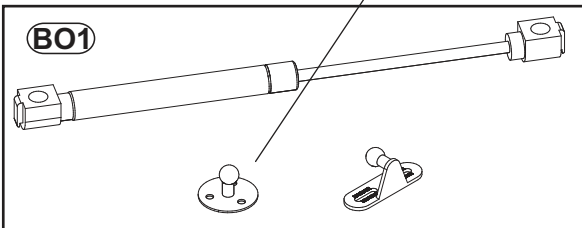
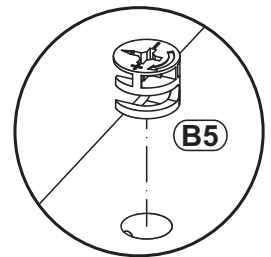
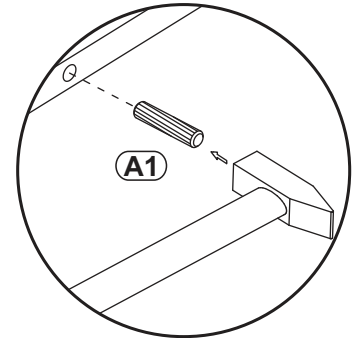
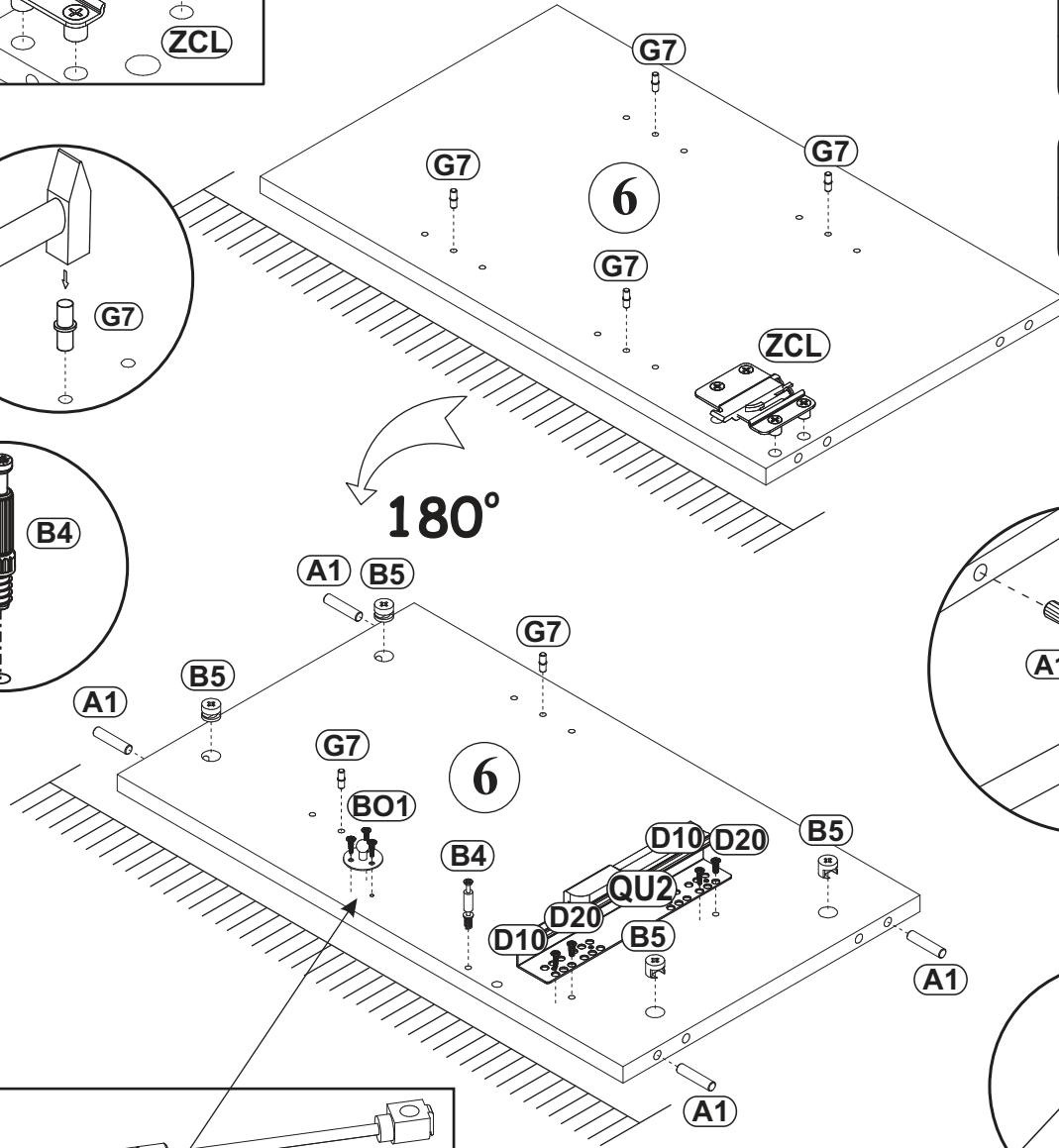
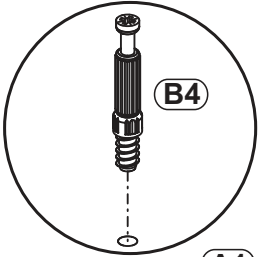
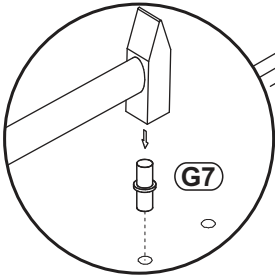
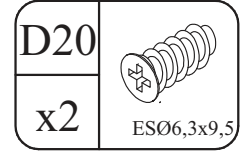
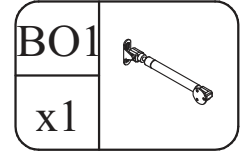
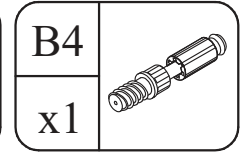
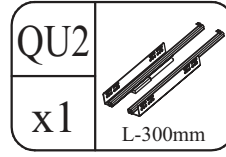
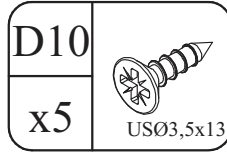
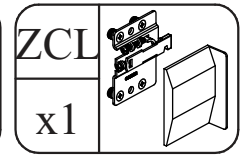
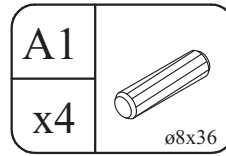
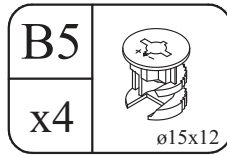
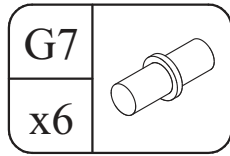
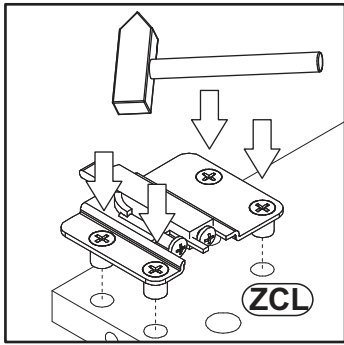
3

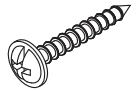


180°

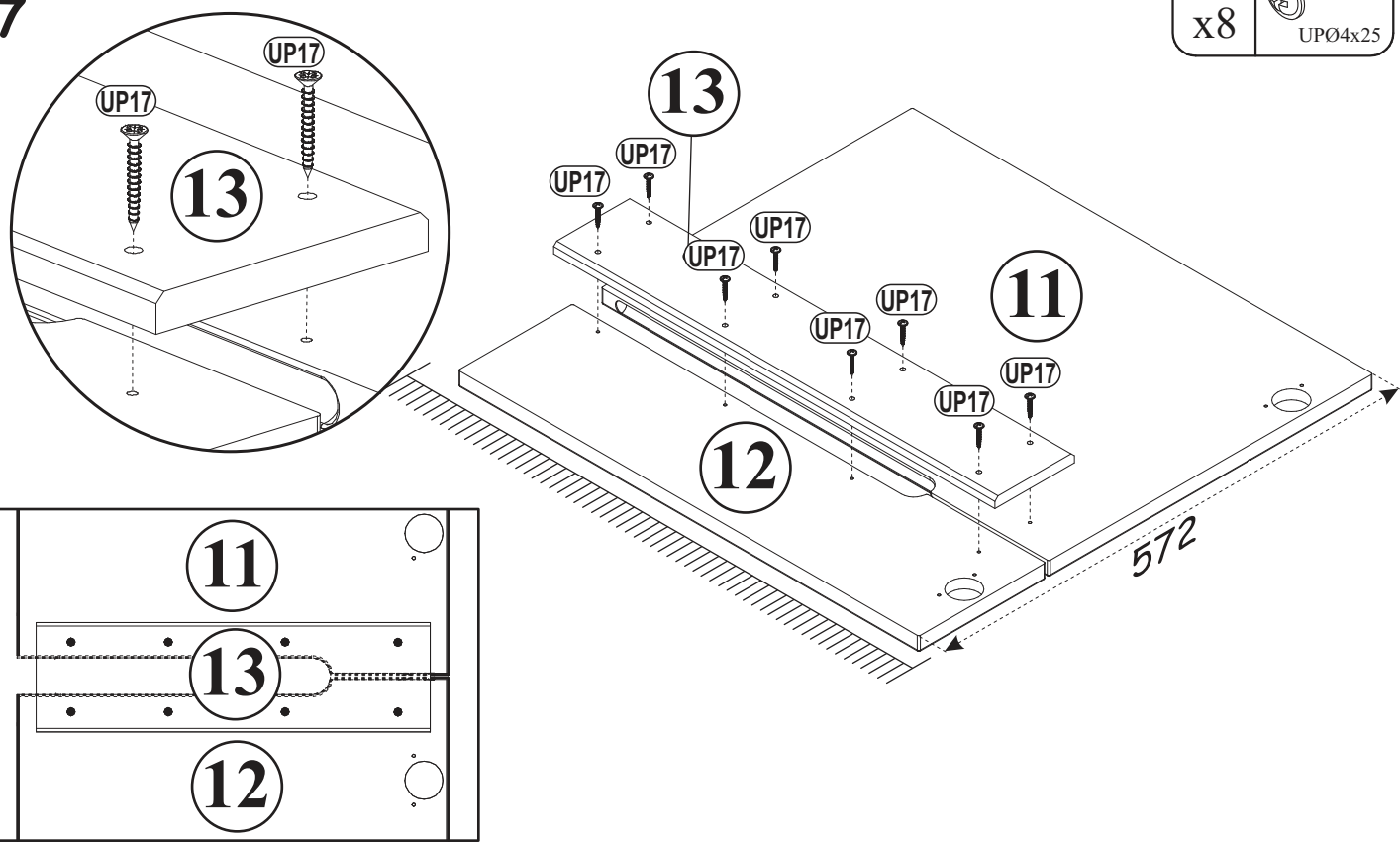


4




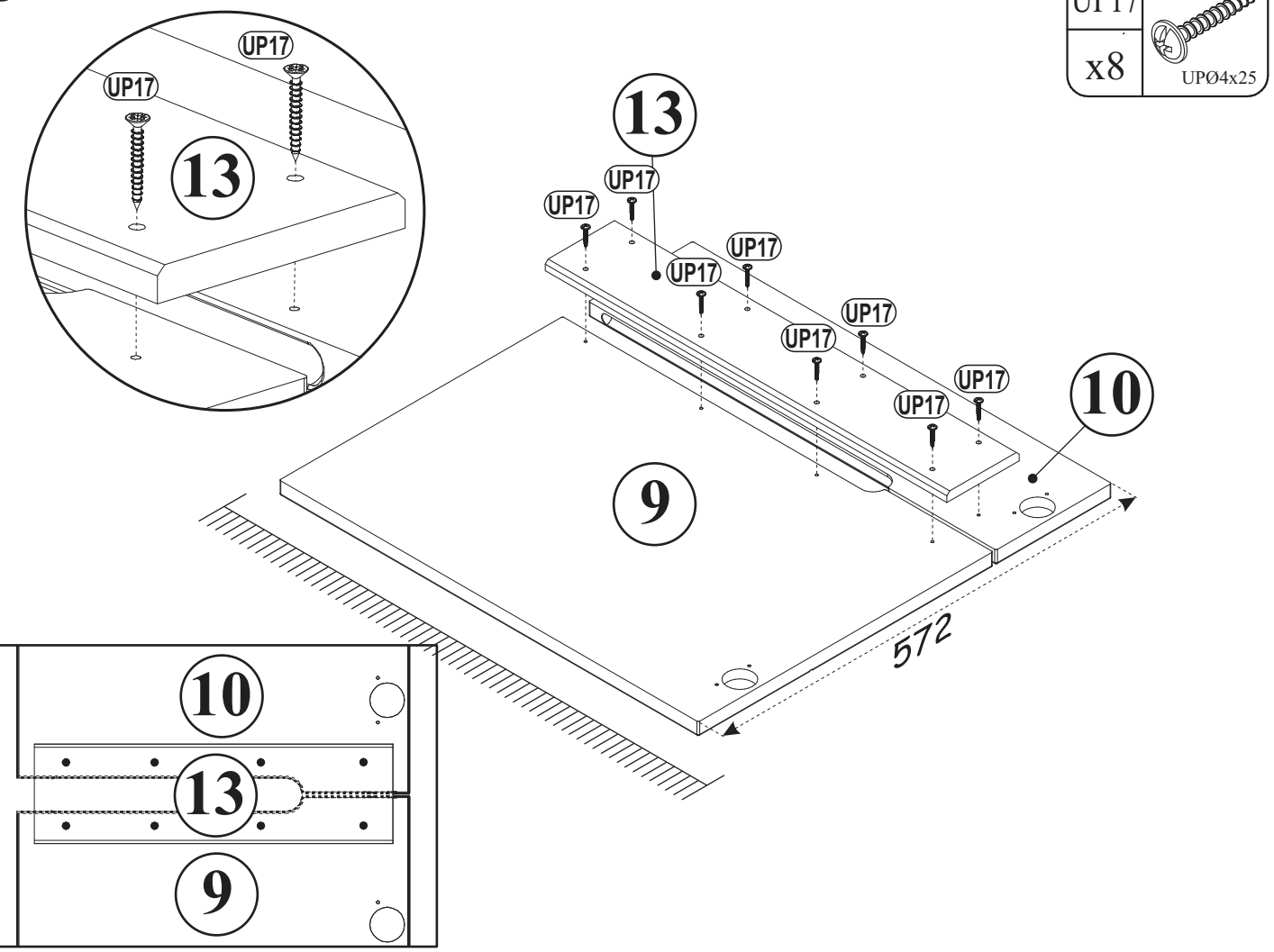
UP17	
x8	

7

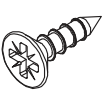


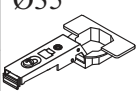
8


UP17	
x8	

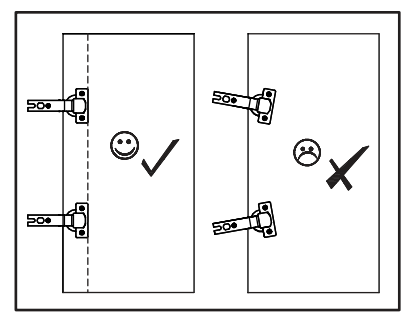
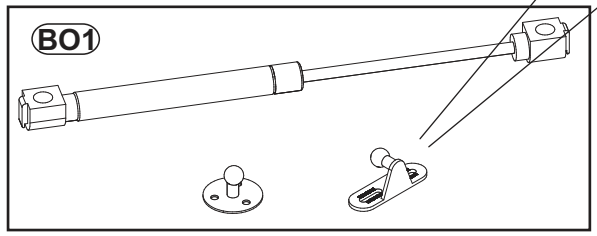
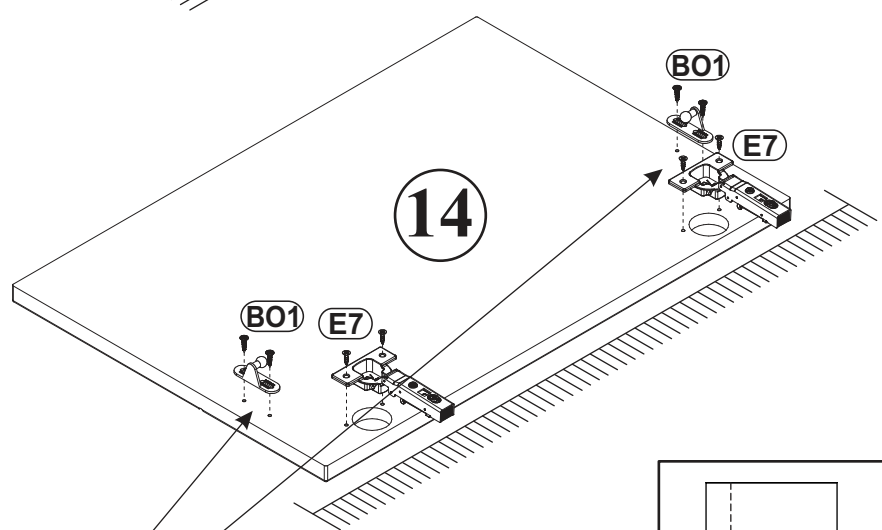
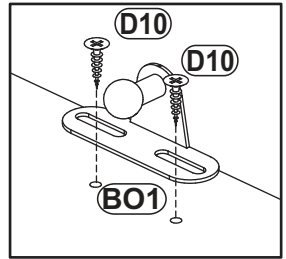
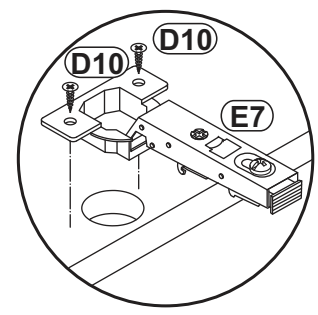
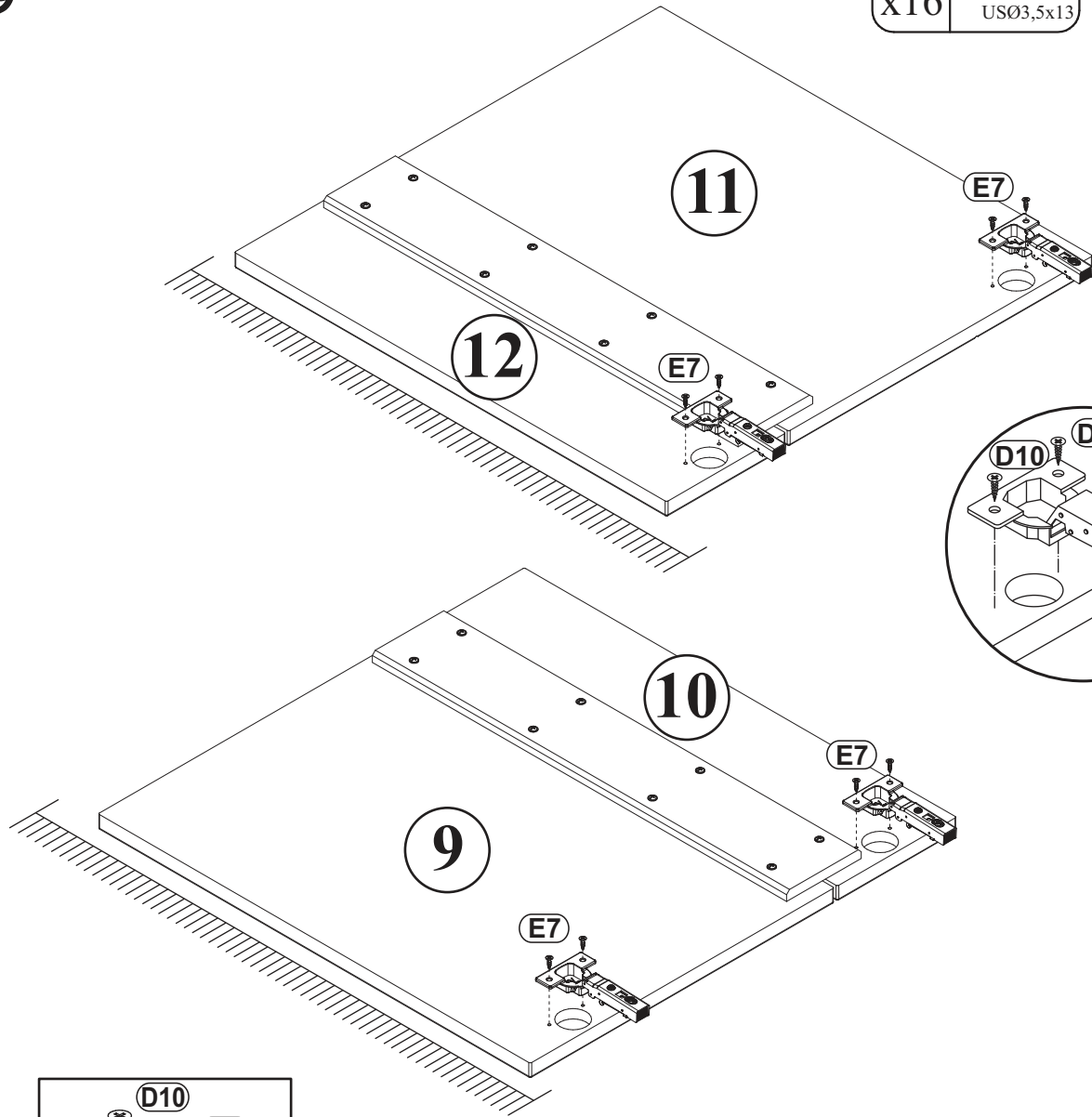



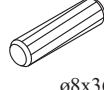
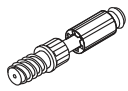
9


D10	
x16	USØ3,5x13

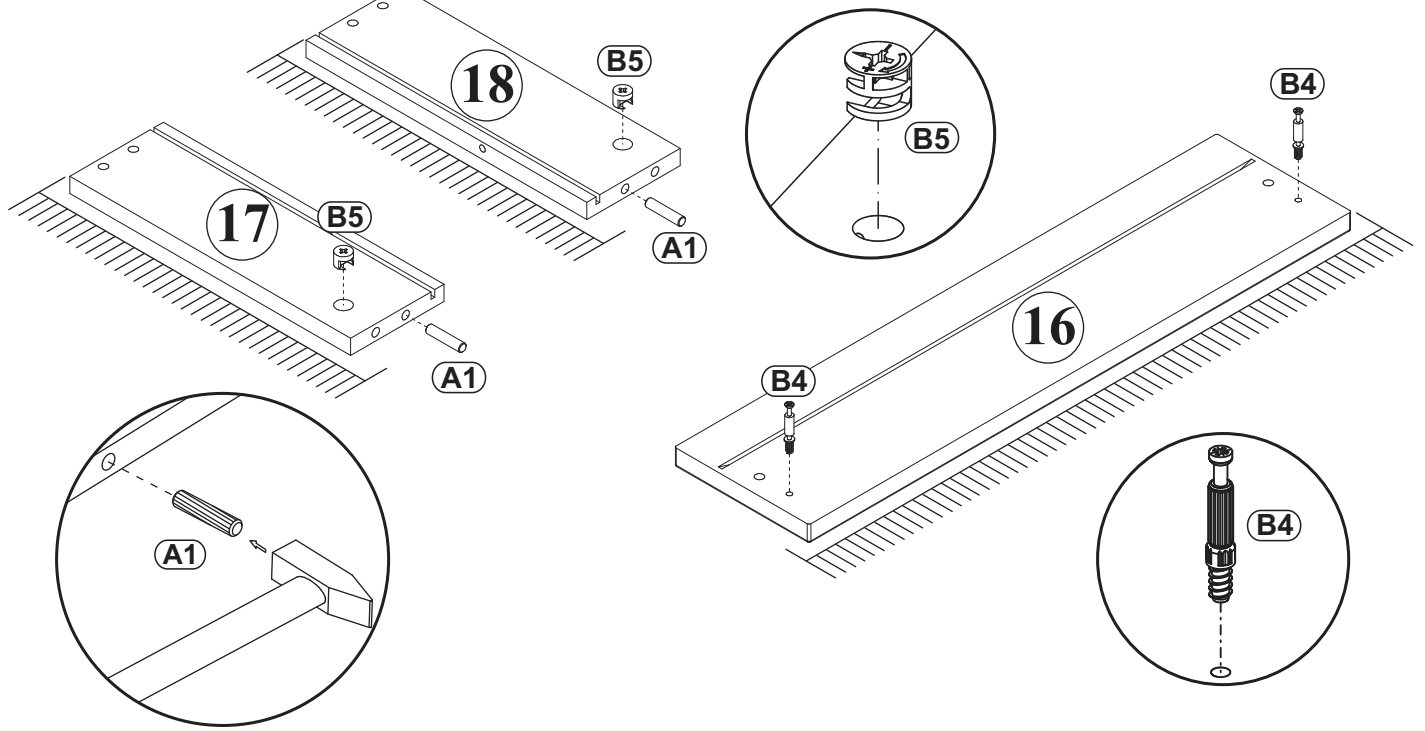
E7	Ø35
x6	
	H=0

BO1	
x2	

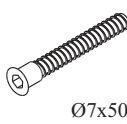



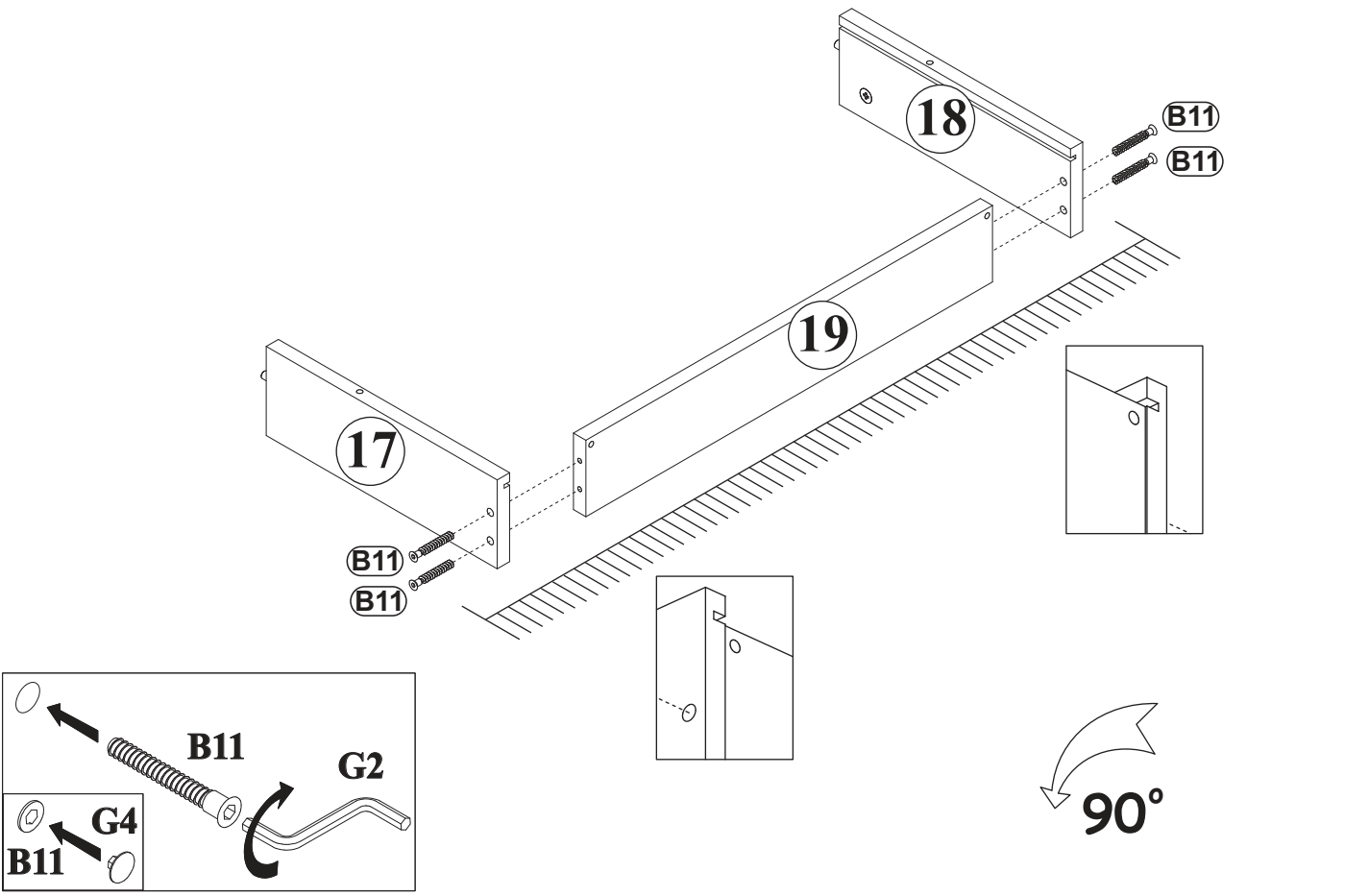
B5		A1		B4	
x2	ø15x12	x2	ø8x36	x2	

10 

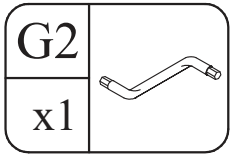
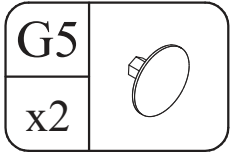
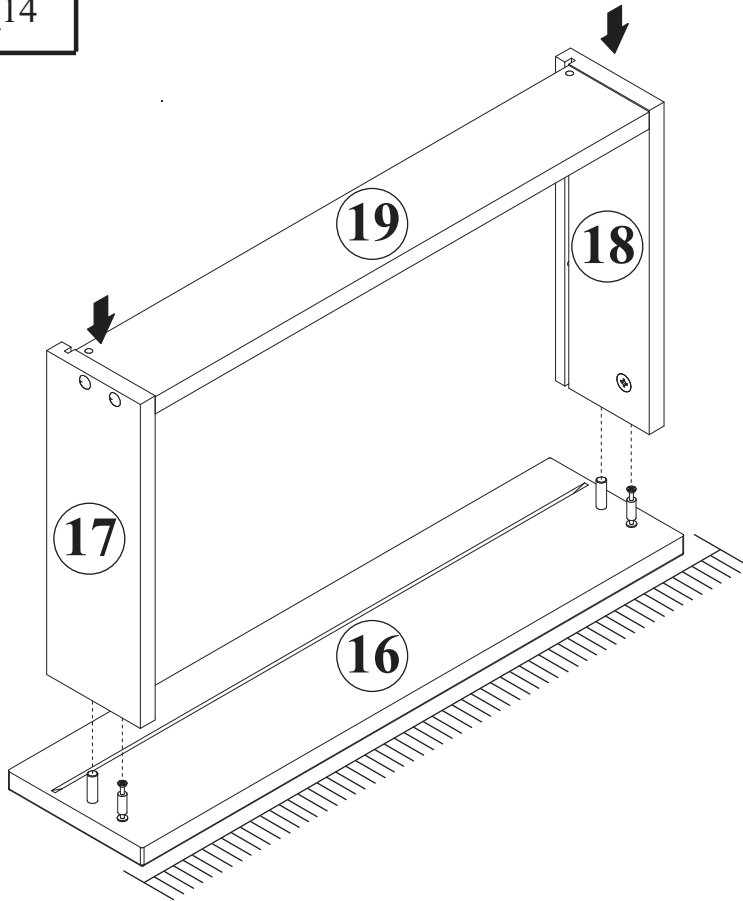
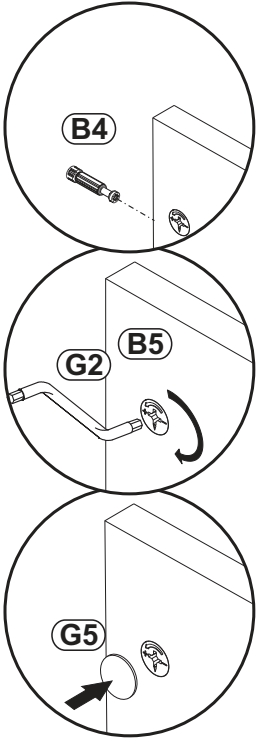


11 

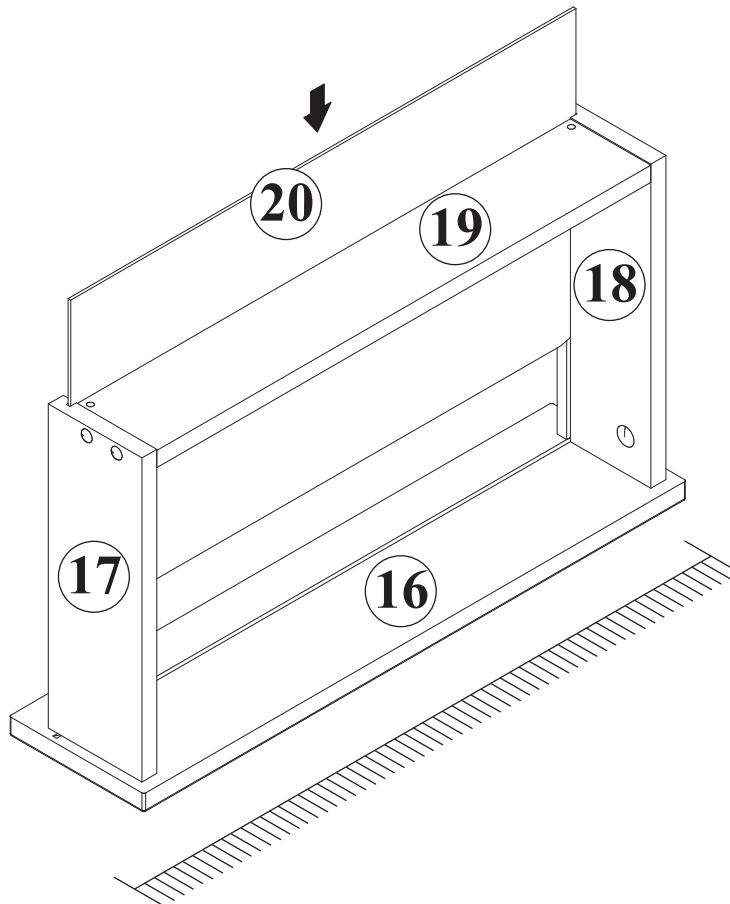
B11		G4	
x4	Ø7x50	x4	



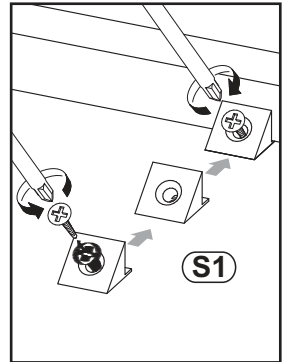
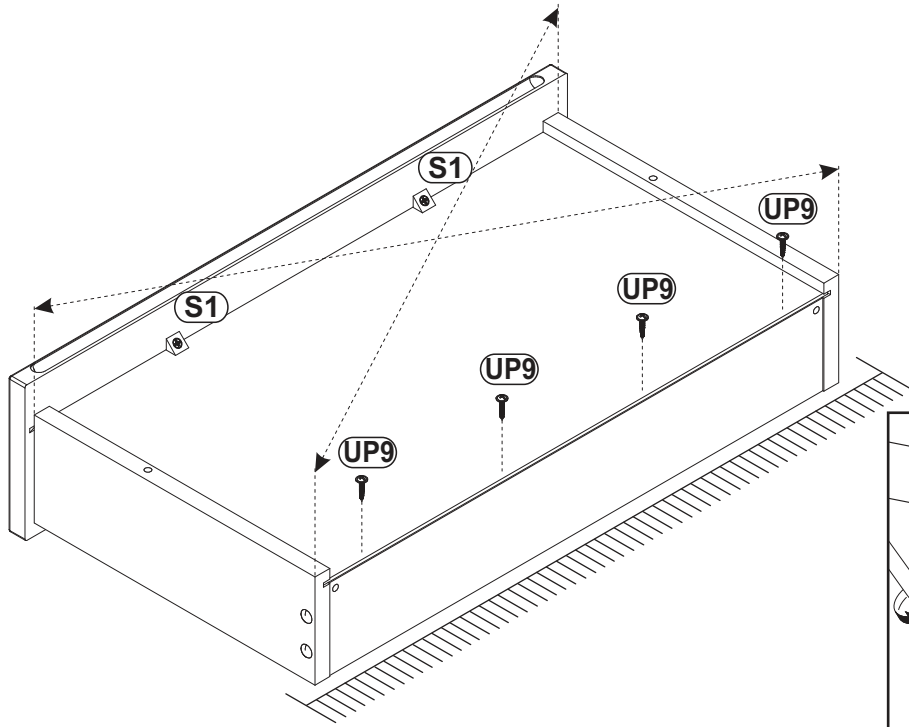
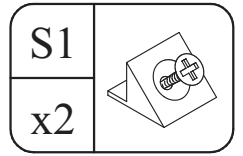
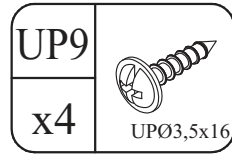
12



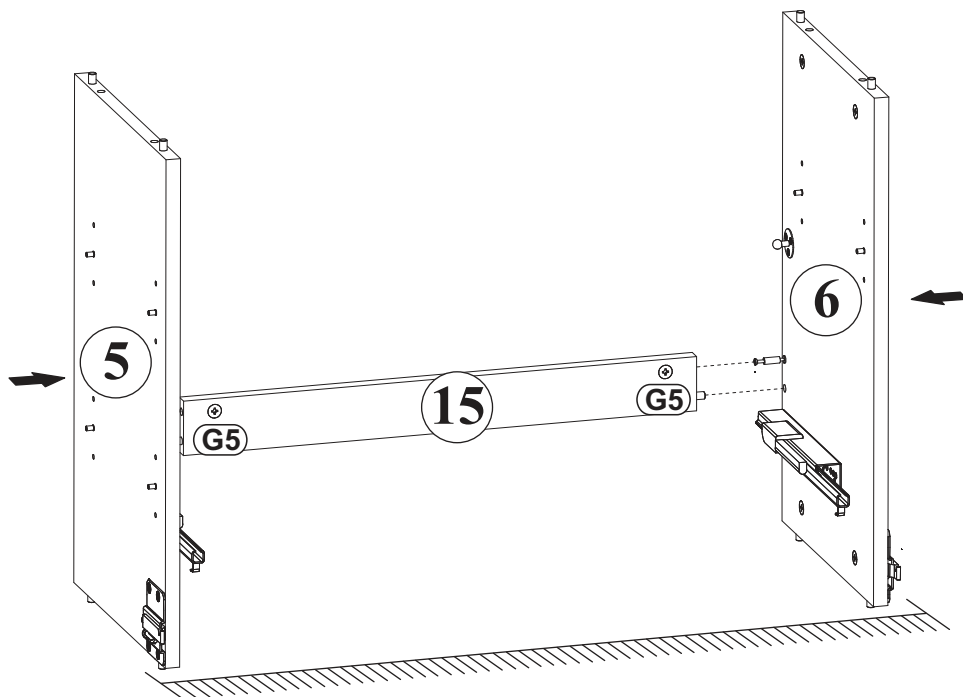
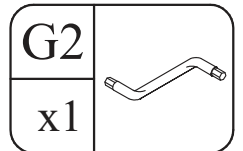
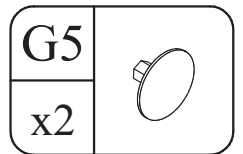
13





14

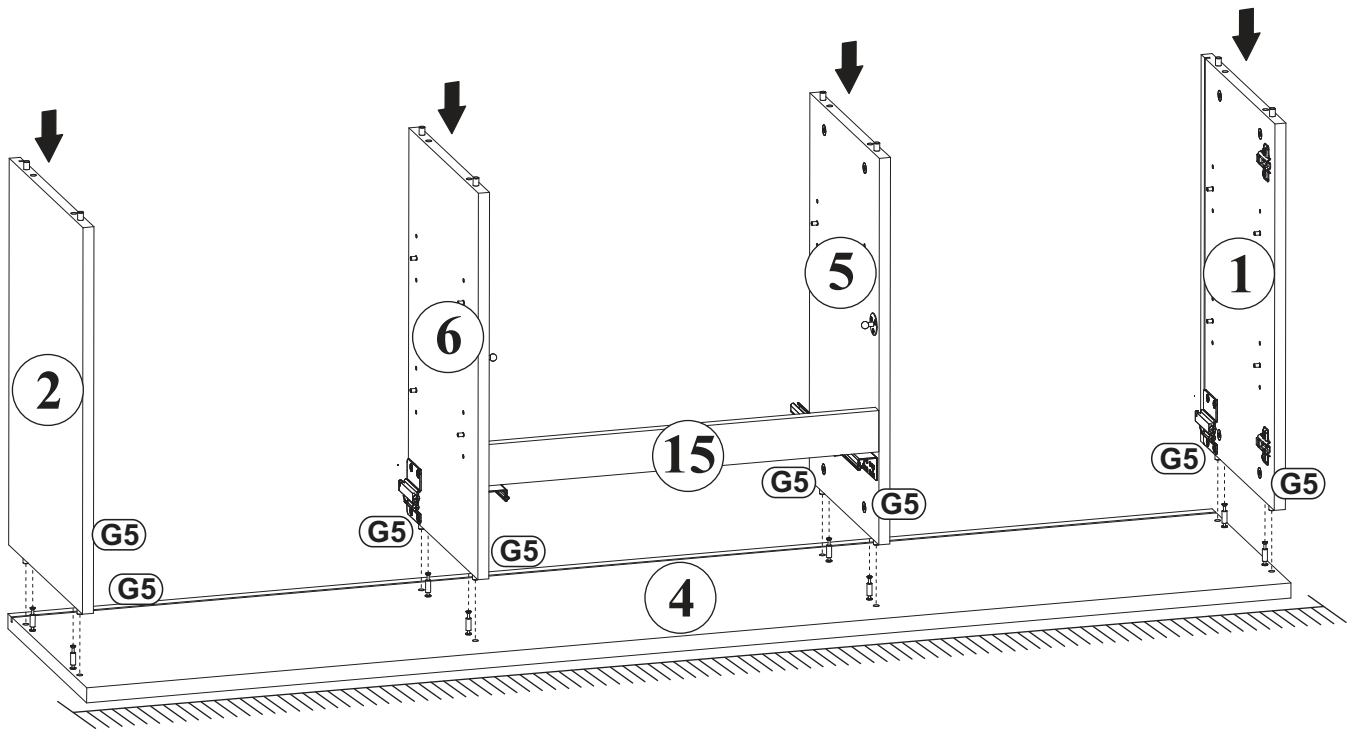


15

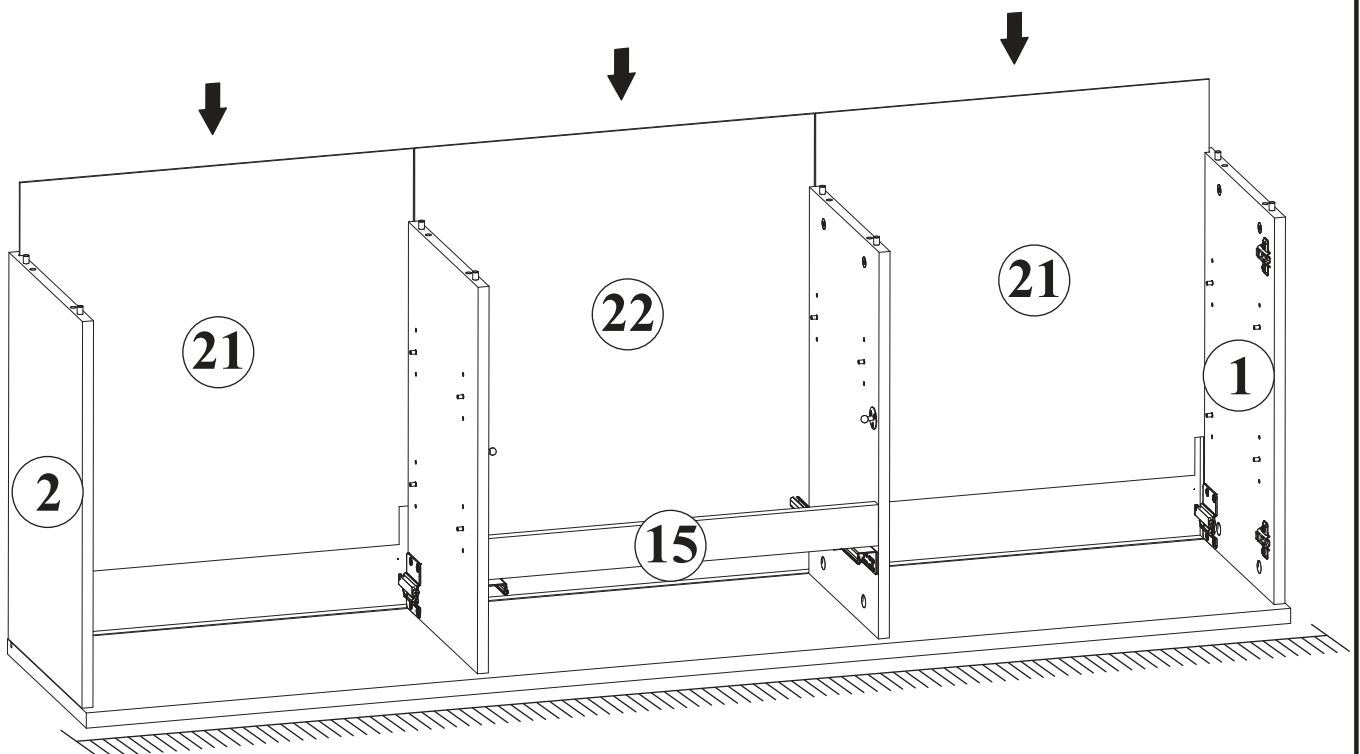


G2		G5	
x1		x8	



16

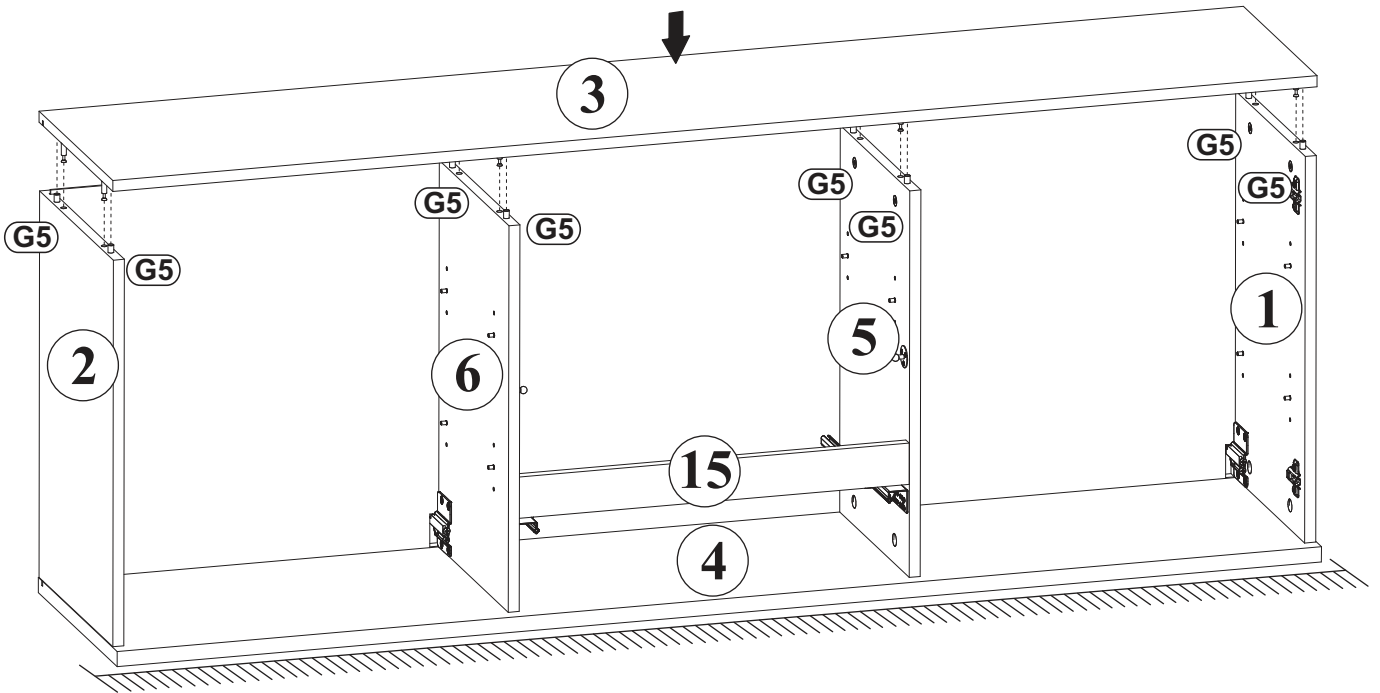


17

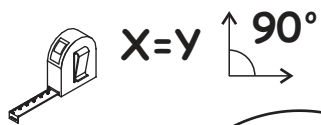


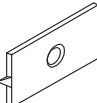


18

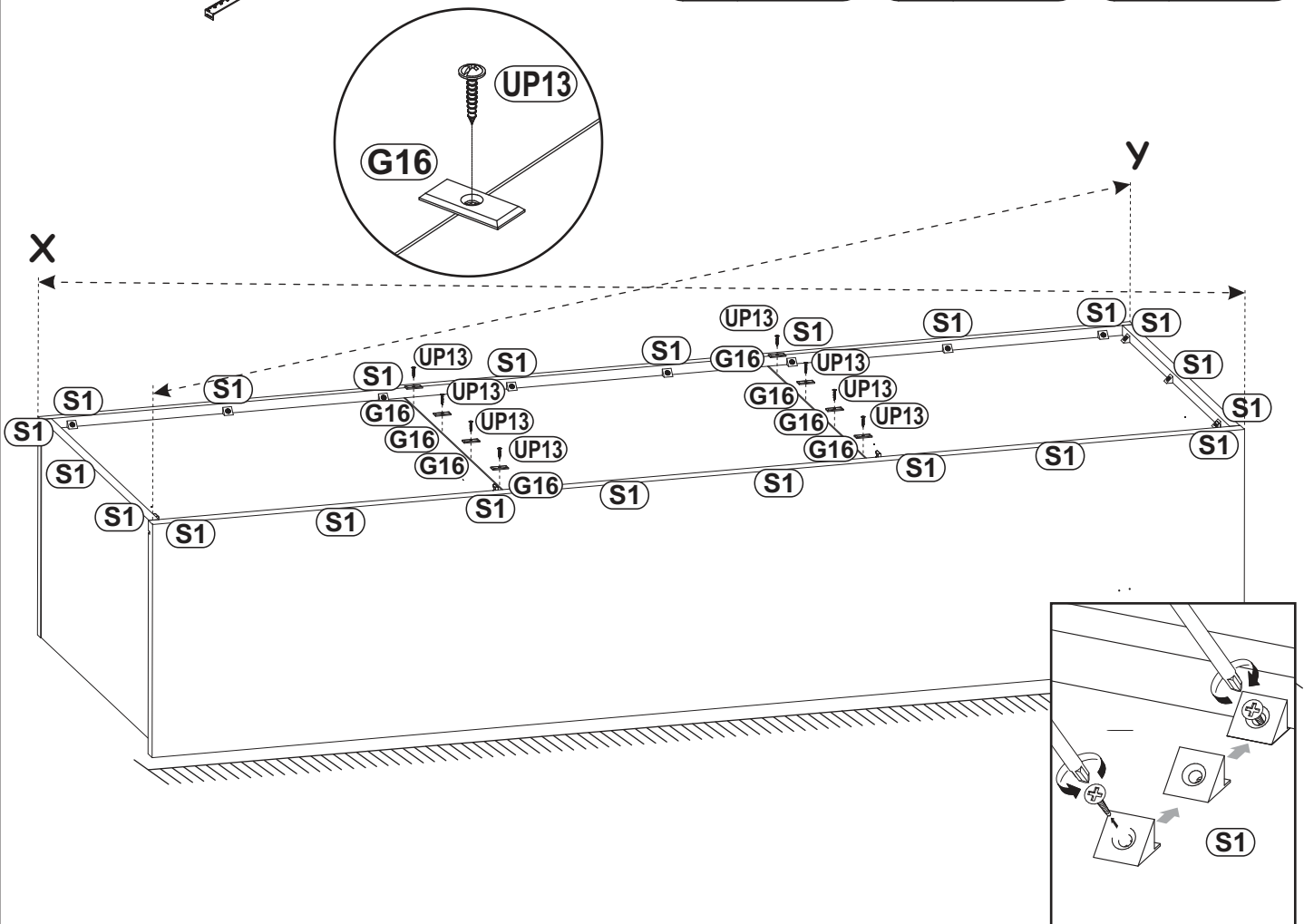
G2		G5	
x1		x8	

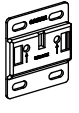
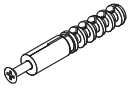


19

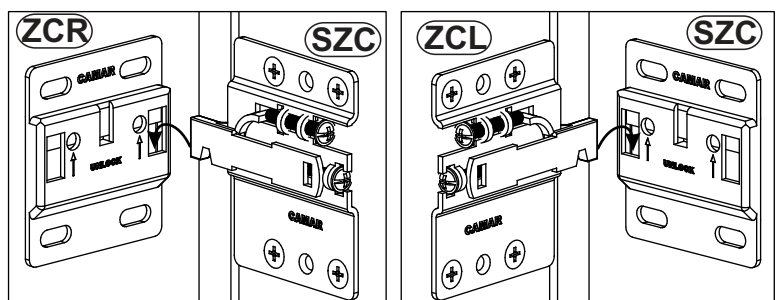
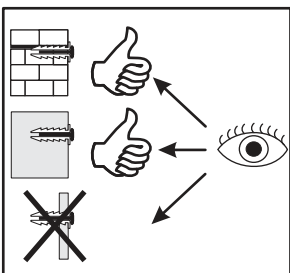
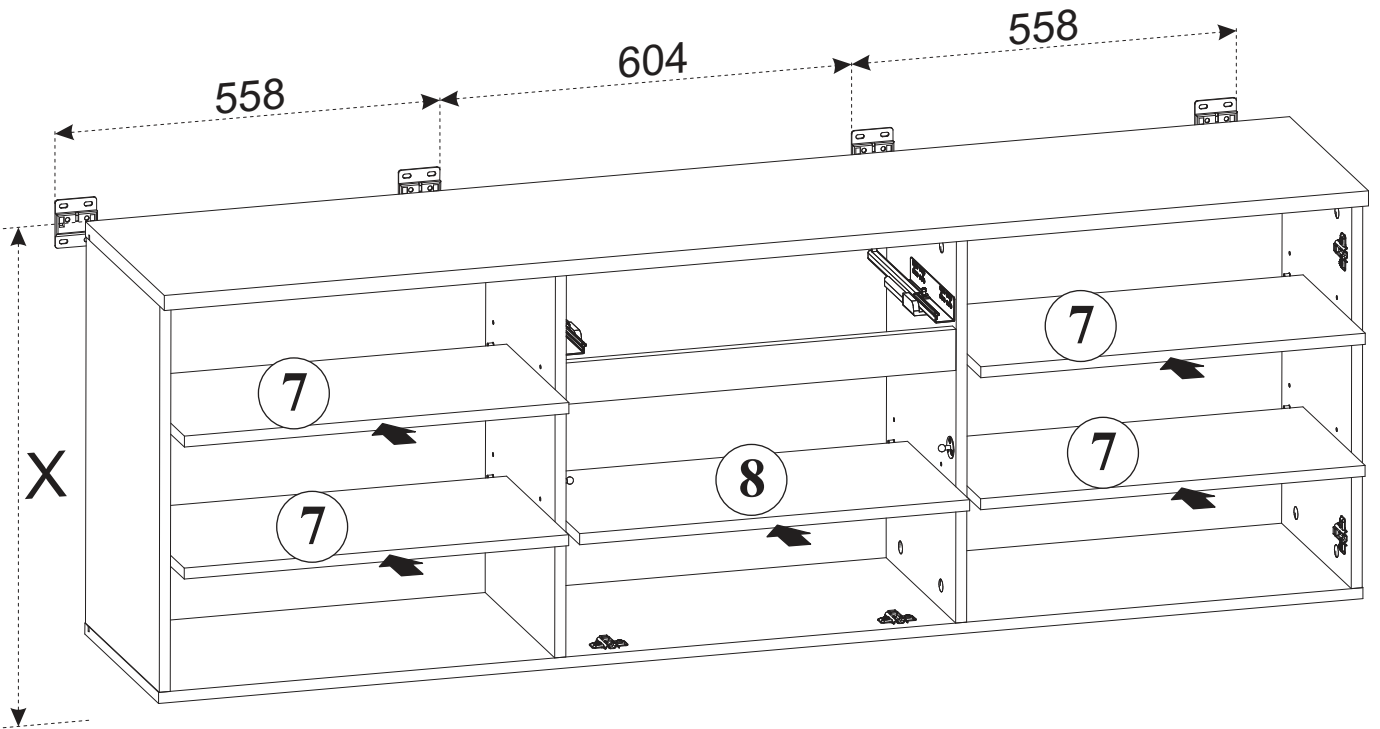
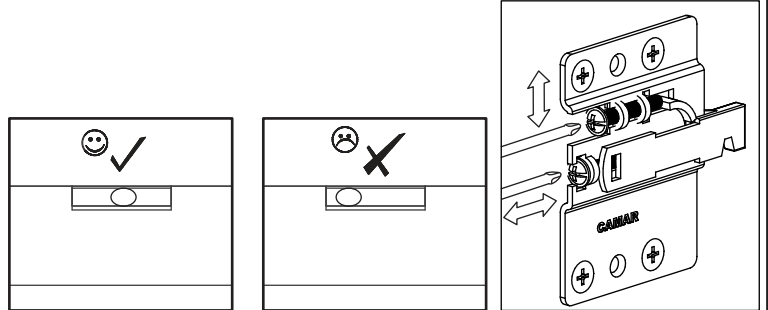
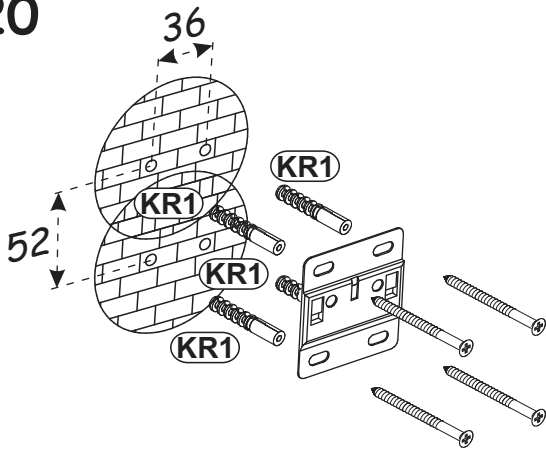


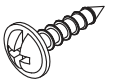
G16		UP9		S1	
x8		x8	UPØ3,5x16	x22	



SZC		KR1	
x4		x16	

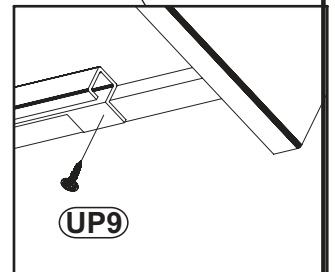
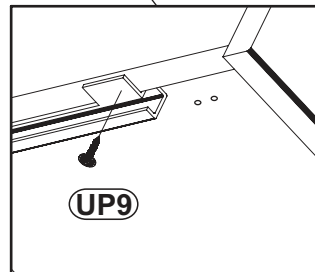
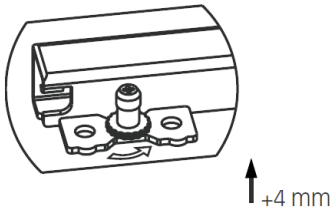
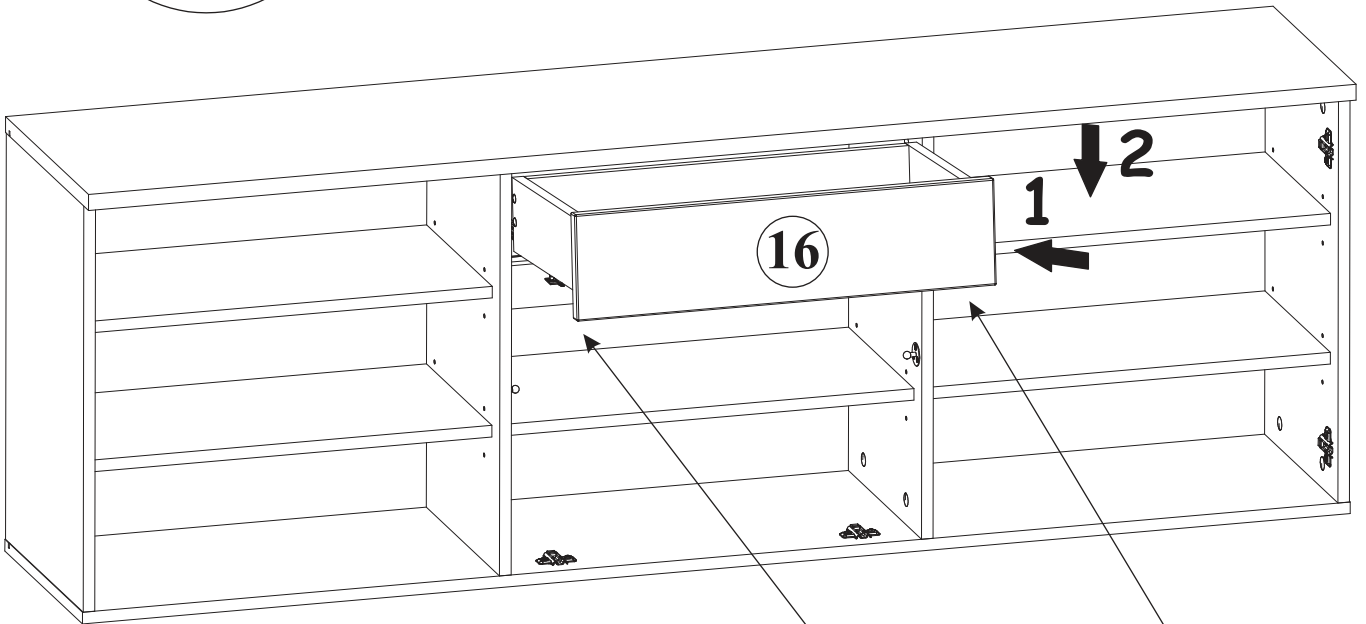
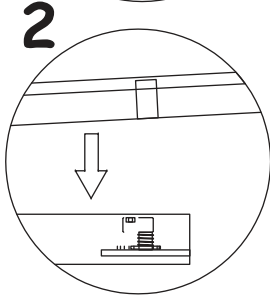
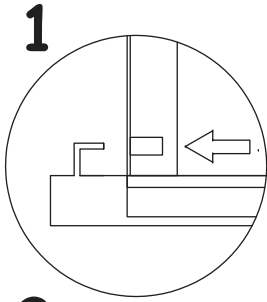
20



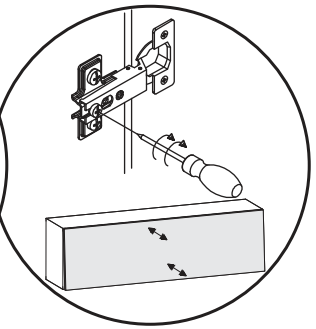
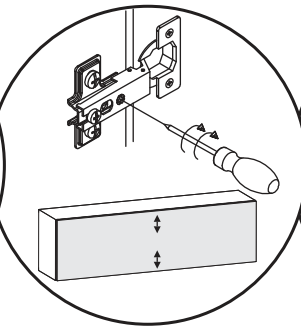
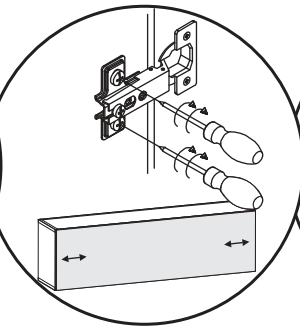
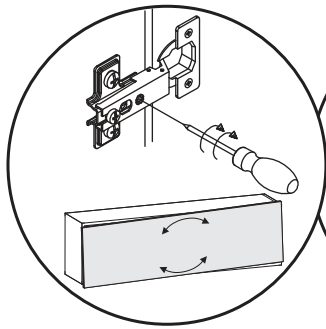
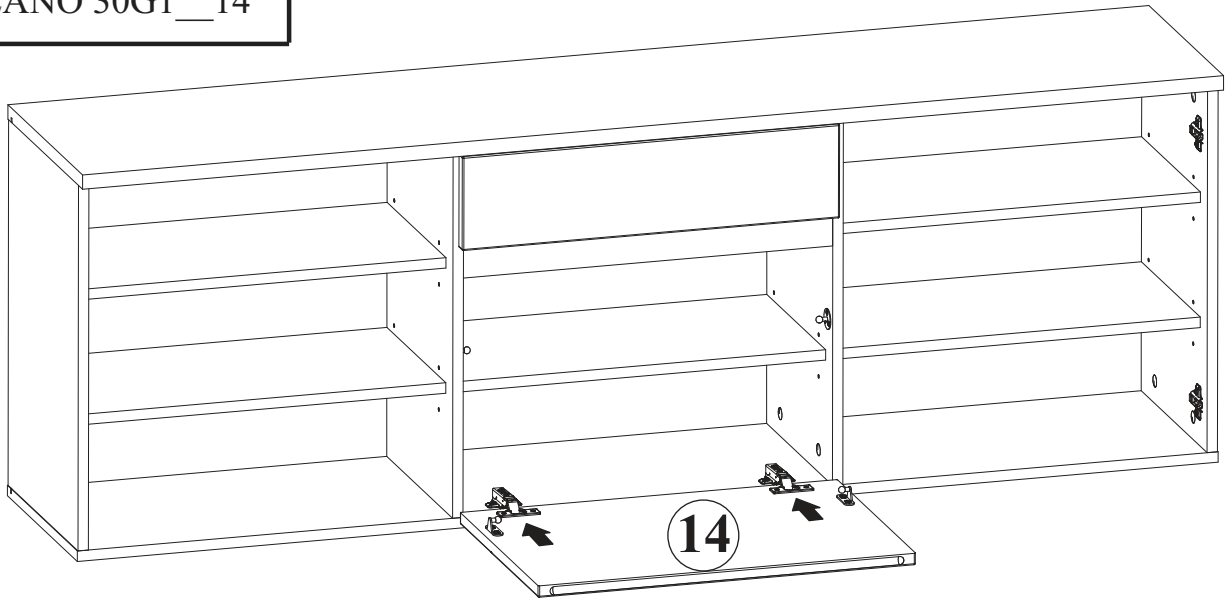
UP9	
x2	

UPØ3,5x16

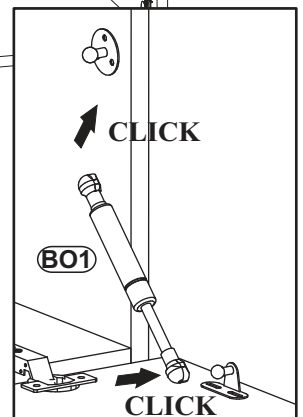
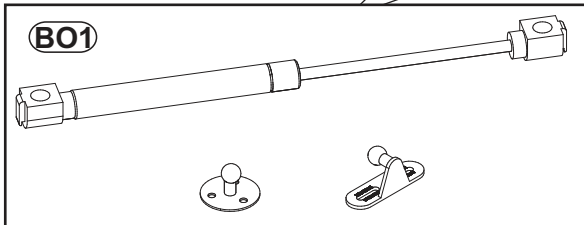
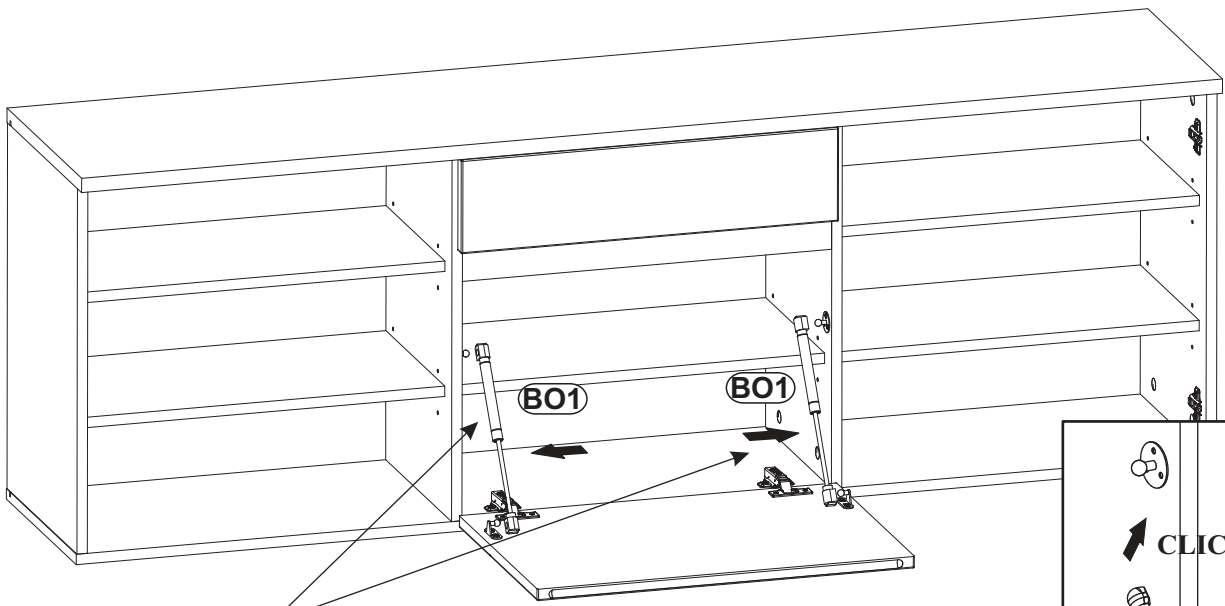
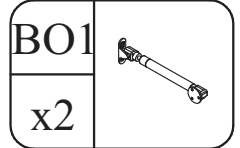
21



22



23



24

