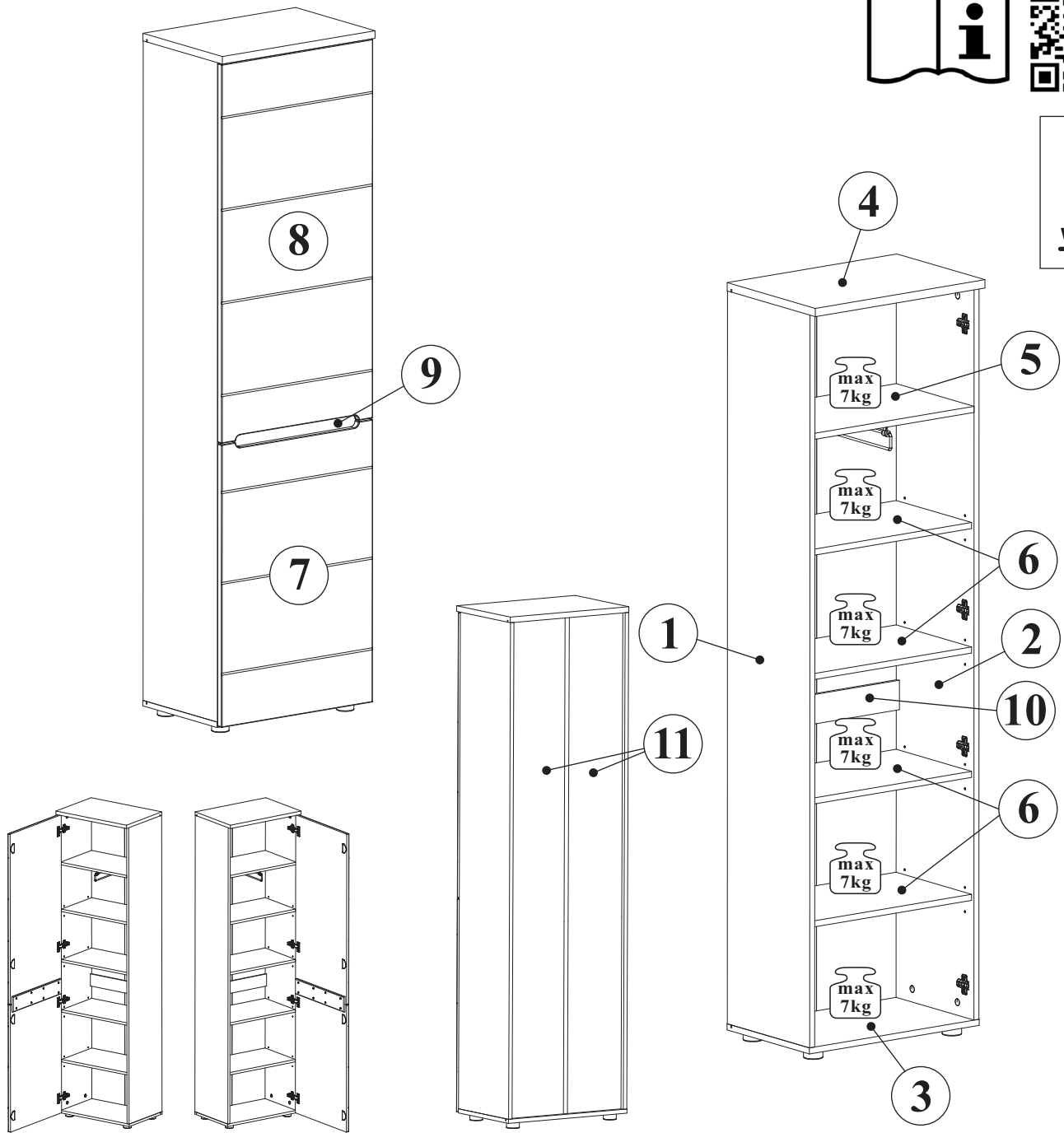
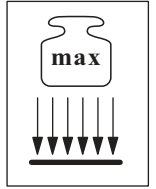
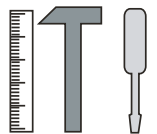
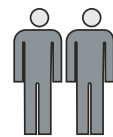


BELLANO 30G1_01



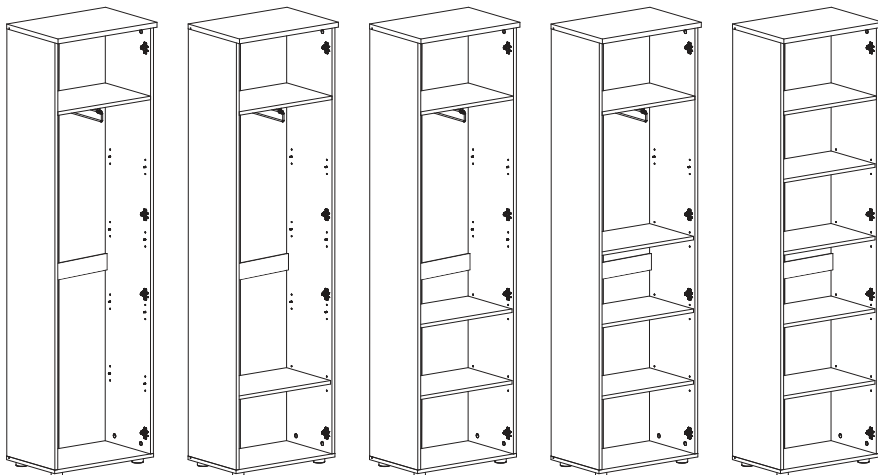
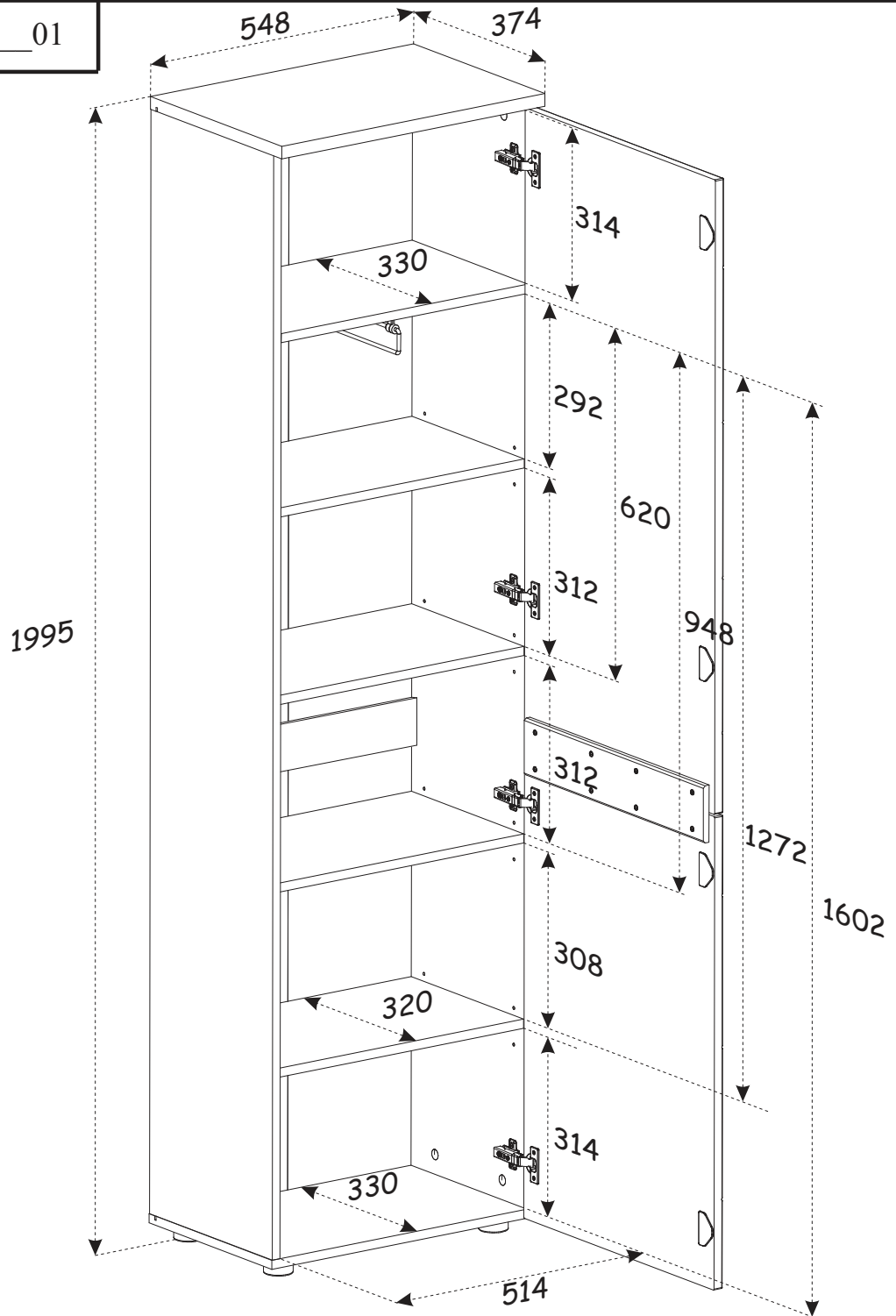
NO	Dim.[mm]			Col.-No	Qty
1	1932	350	16	2/2	1
2	1932	350	16	2/2	1
3	548	350	16	1/2	1
4	548	374	22	1/2	1
5	514	330	16	1/2	1
6	514	320	16	2/2	4
7	542	828	19	1/2	1
8	542	1110	19	1/2	1
9	510	100	12	1/2	1
10	514	80	16	1/2	1
11	1944	263	3	2/2	2

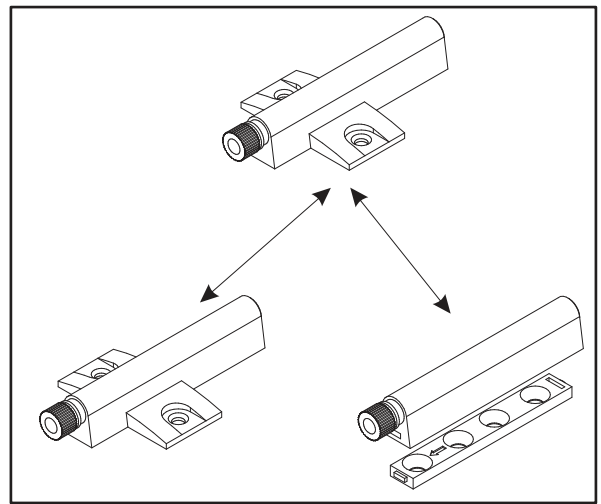
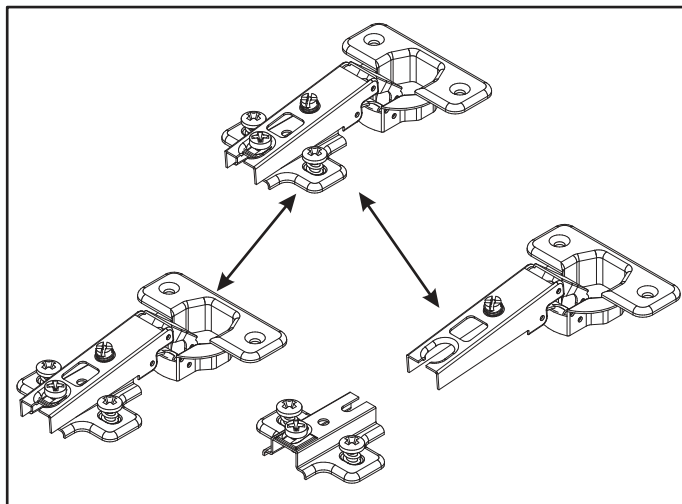
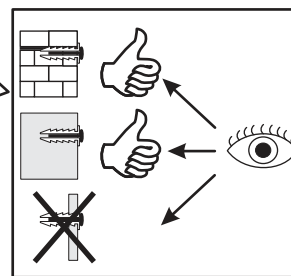
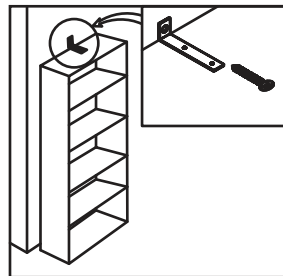
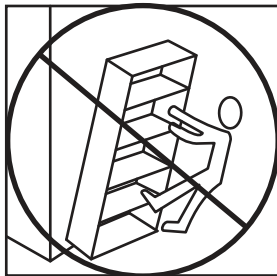
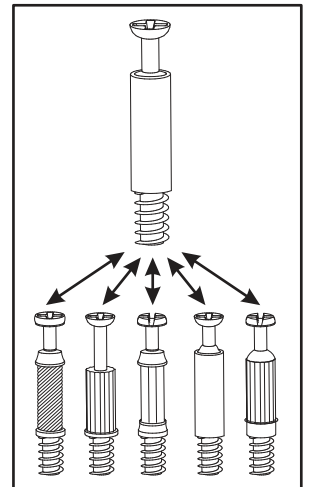
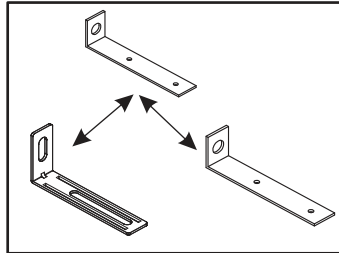
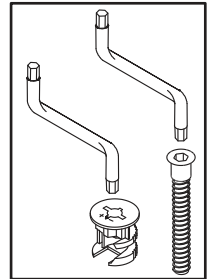
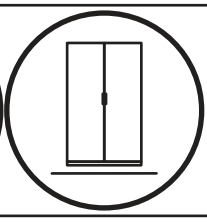
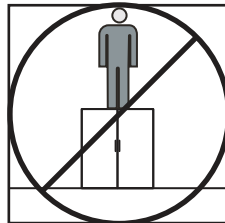
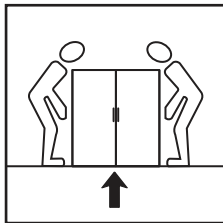
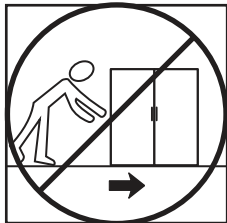
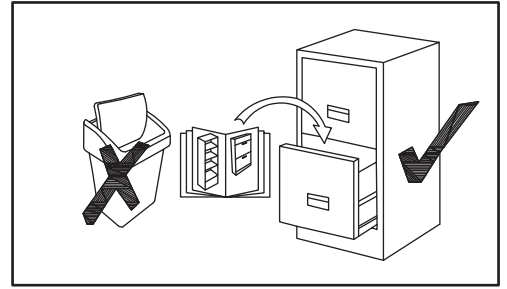
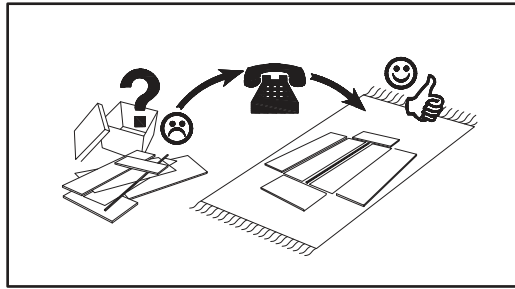
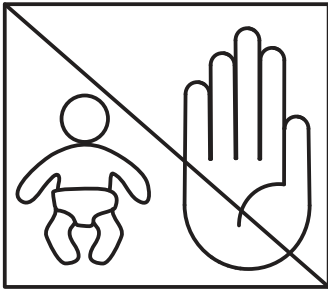
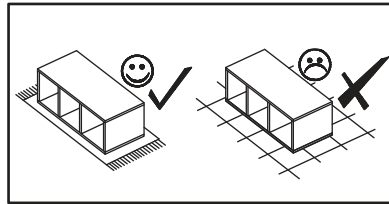
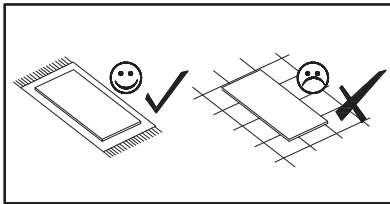


180 min


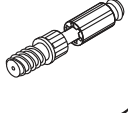


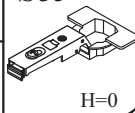
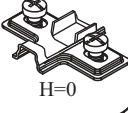
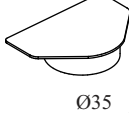

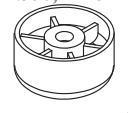
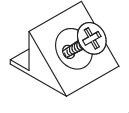
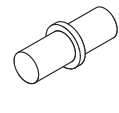
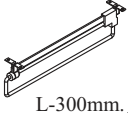

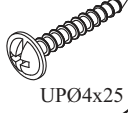


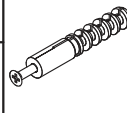
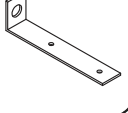



BELLANO 30G1__01



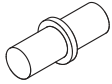
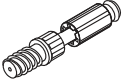

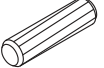


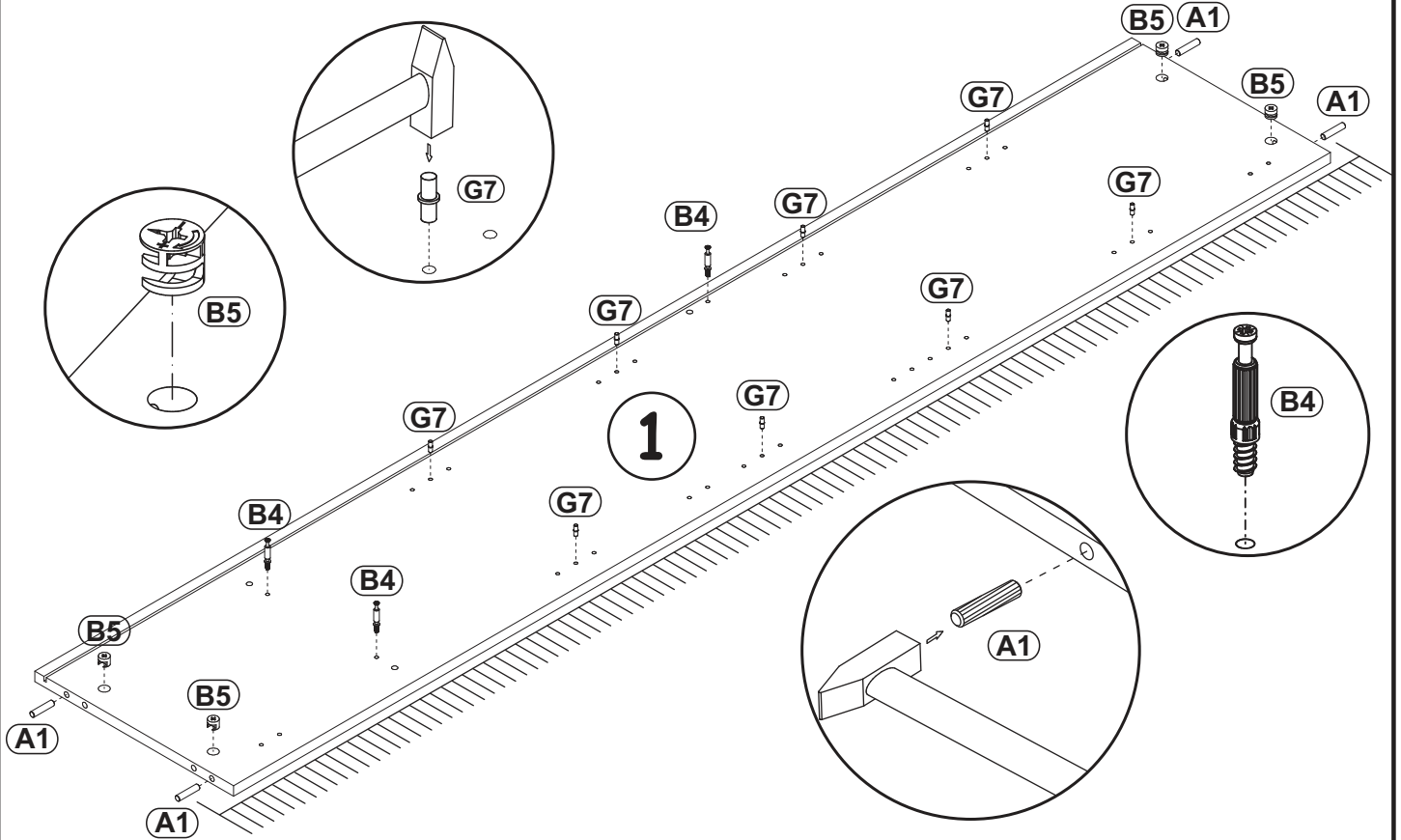
BELLANO 30G1__01

A1 x14  ø8x36	B4 x14 	B5 x14  ø15x12	G5 x14 	E7 x4  Ø35 H=0	E8 x4  H=0
GU x4  Ø35	Z2 x8  Ø5	ST7 x4  Ø50, h=25	S1 x22 	G7 x16 	C6 x1  L-300mm.
D10 x10  USØ3,5x13	UP17 x8  UPØ4x25	UP9 x9  UPØ3,5x16	UP11 x4  UPØ4x20	KR1 x1 	L1 x1 
G2 x1 					

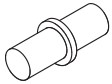
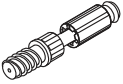

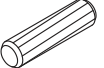


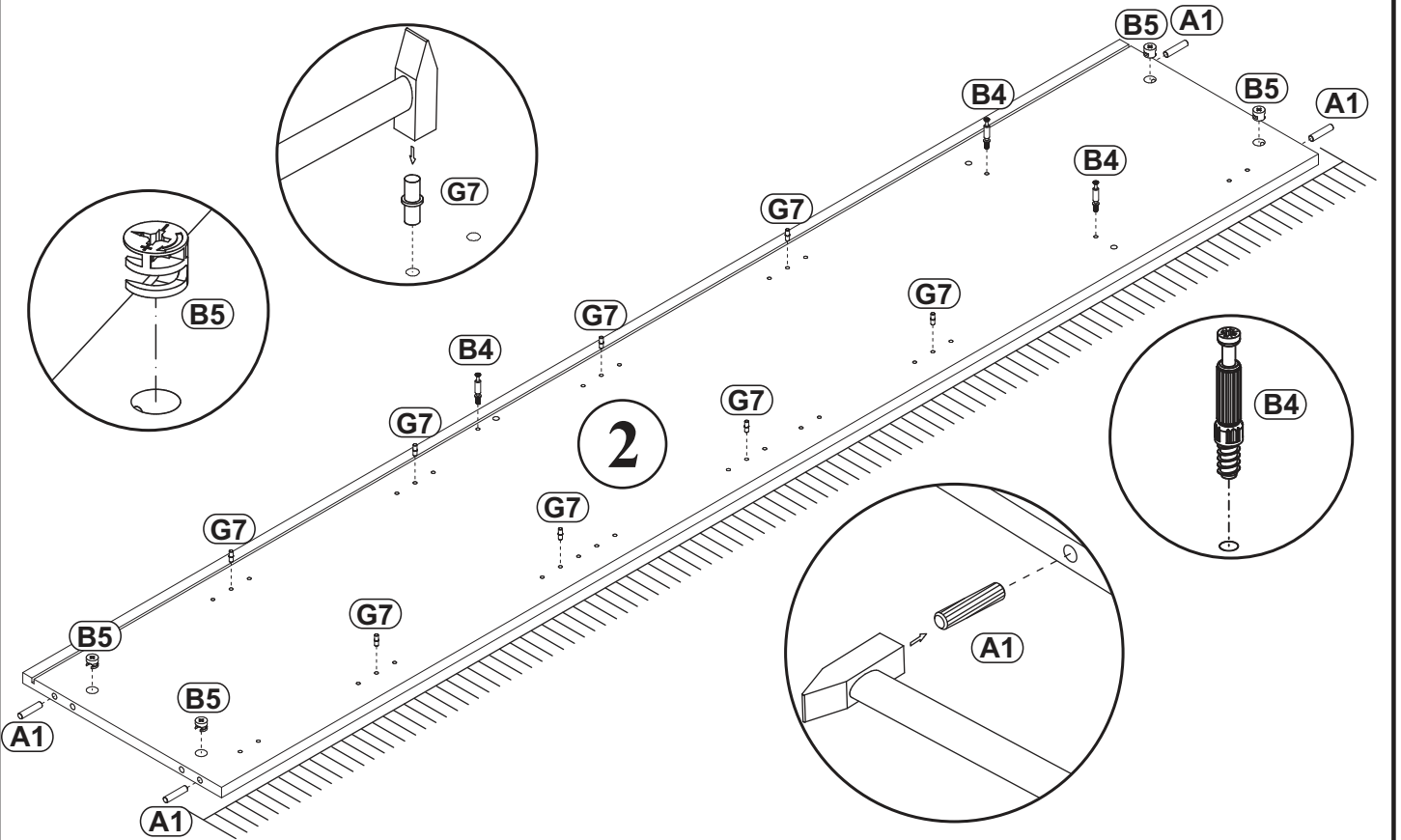
1

G7		B4		B5		A1	
x8		x3		x4	ø15x12	x4	ø8x36

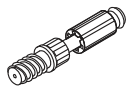
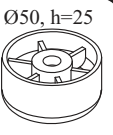



2

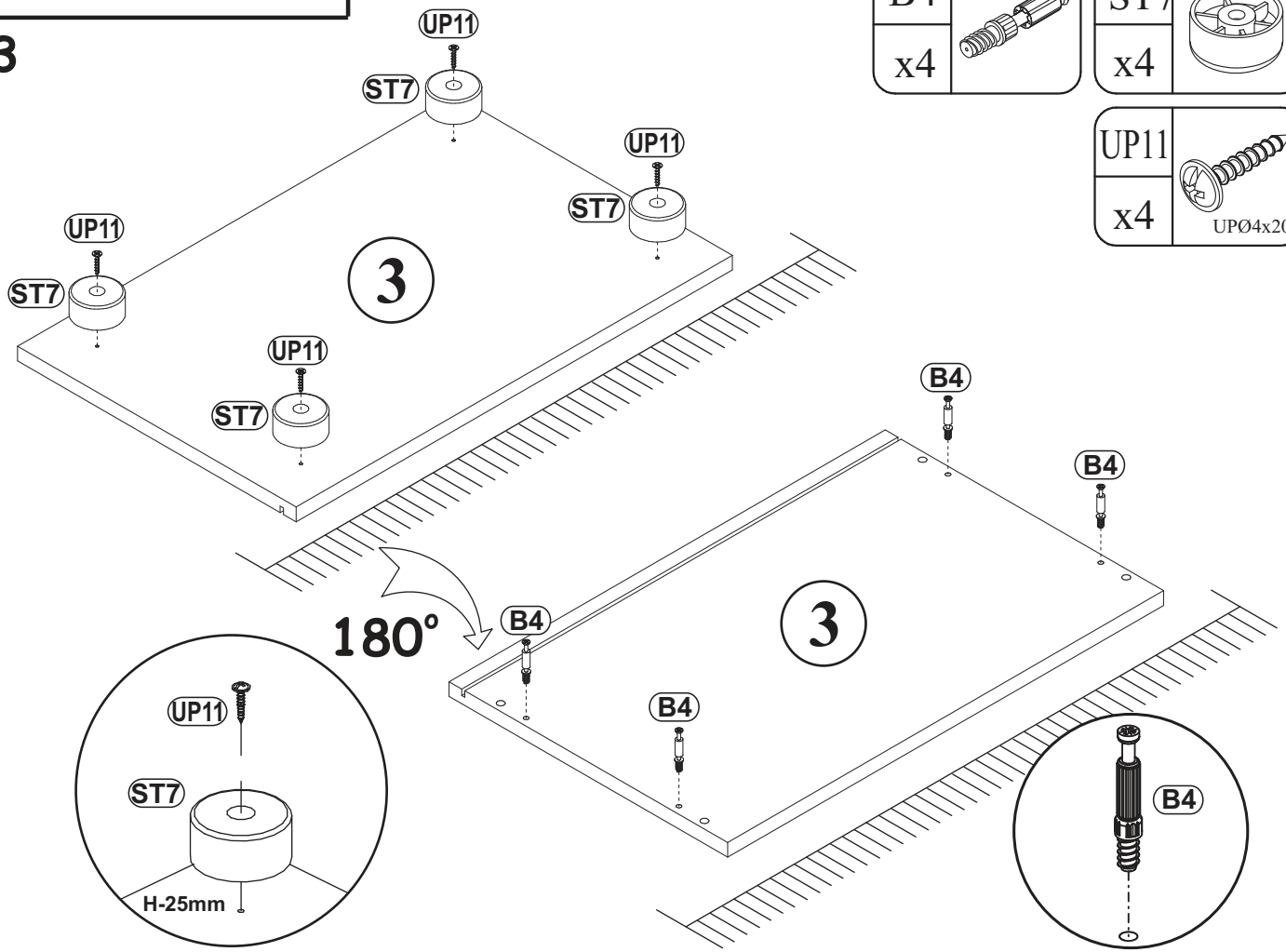
G7		B4		B5		A1	
x8		x3		x4	ø15x12	x4	ø8x36



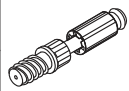
3

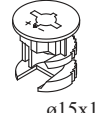
B4		ST7	
x4		x4	Ø50, h=25

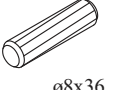
UP11	
x4	UPØ4x20

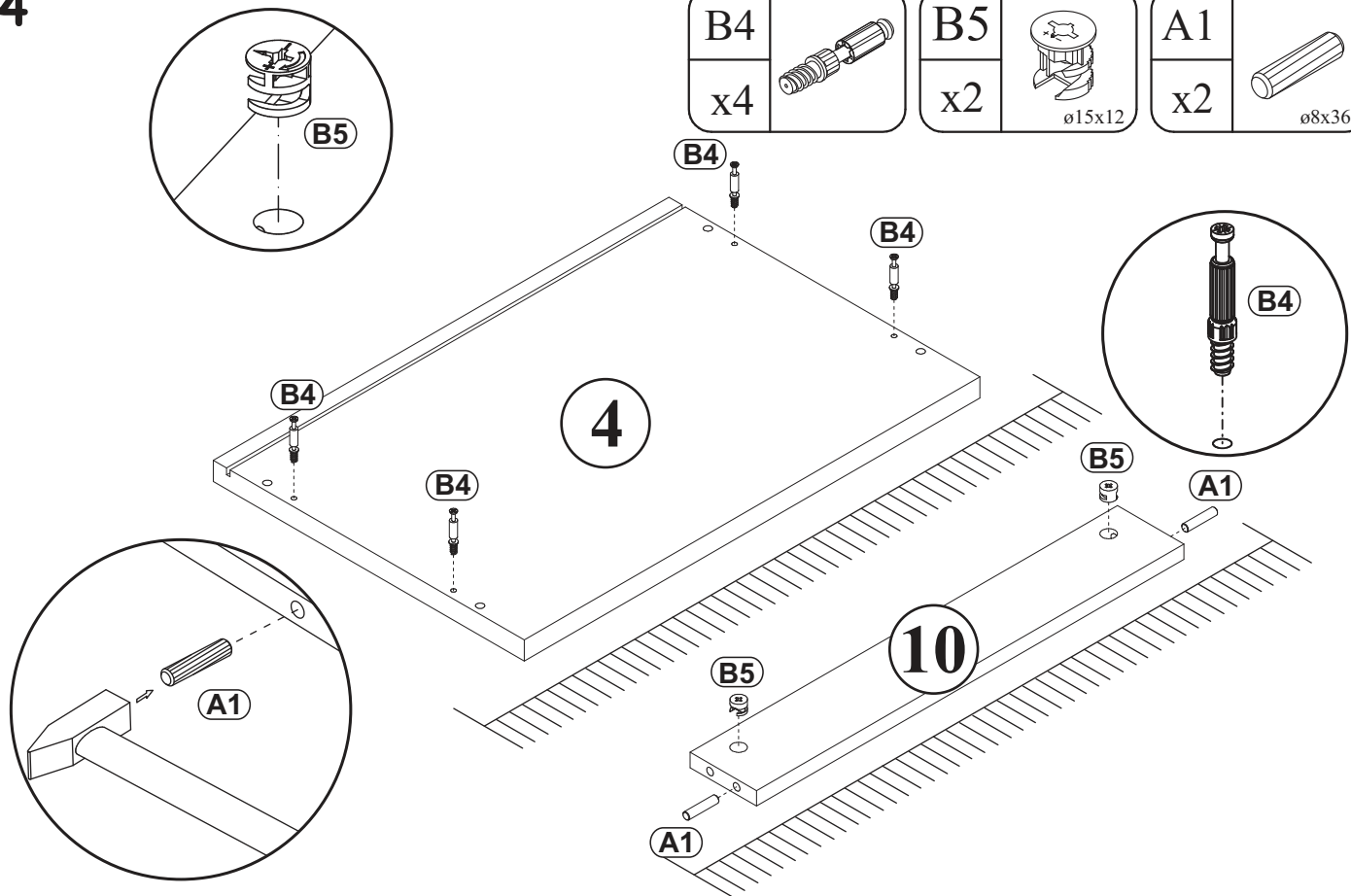


4

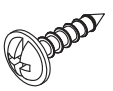
B4	
x4	

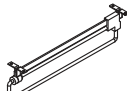
B5	
x2	Ø15x12

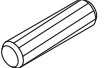
A1	
x2	Ø8x36




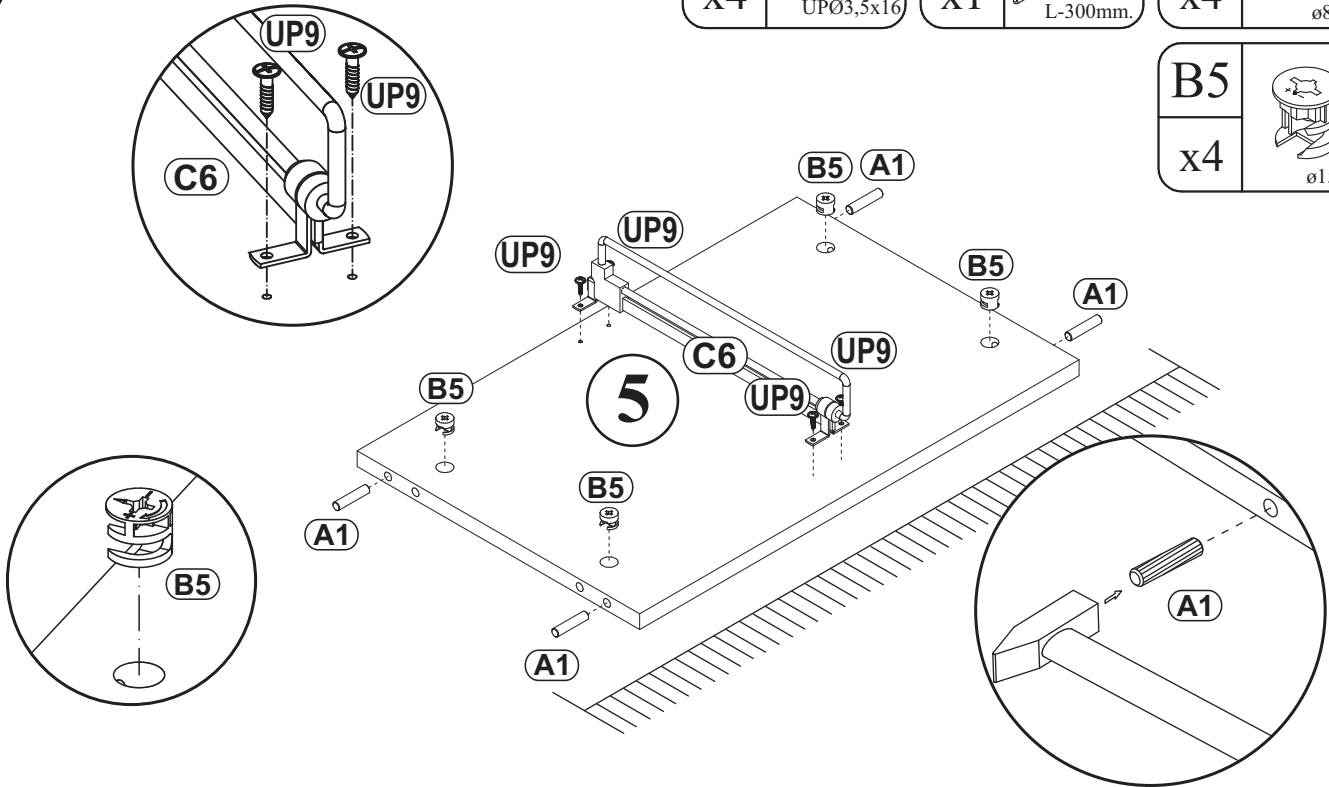
5

UP9	
x4	UP03,5x16

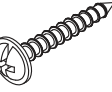
C6	
x1	L-300mm.

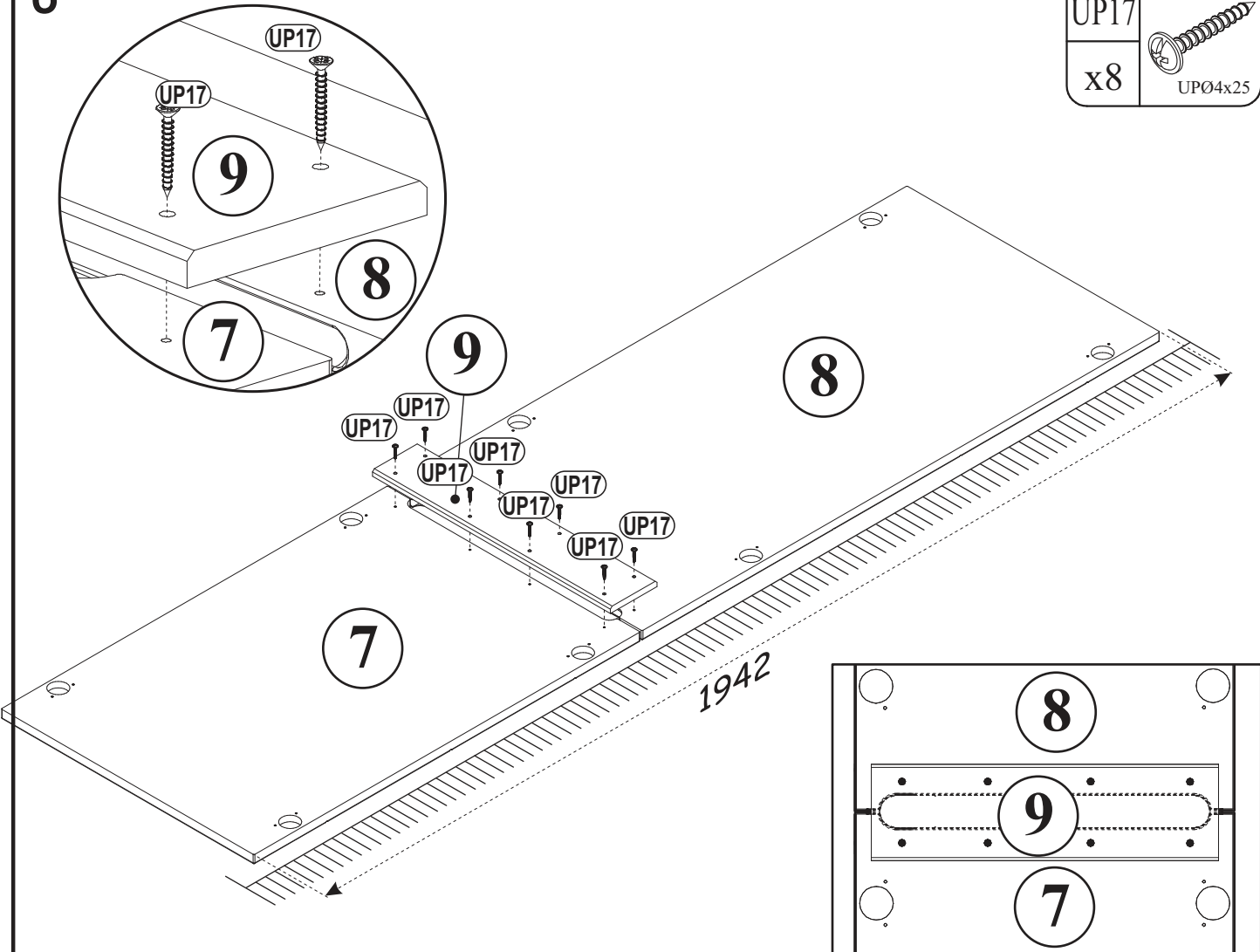
A1	
x4	ø8x36


B5	
x4	ø15x12




6

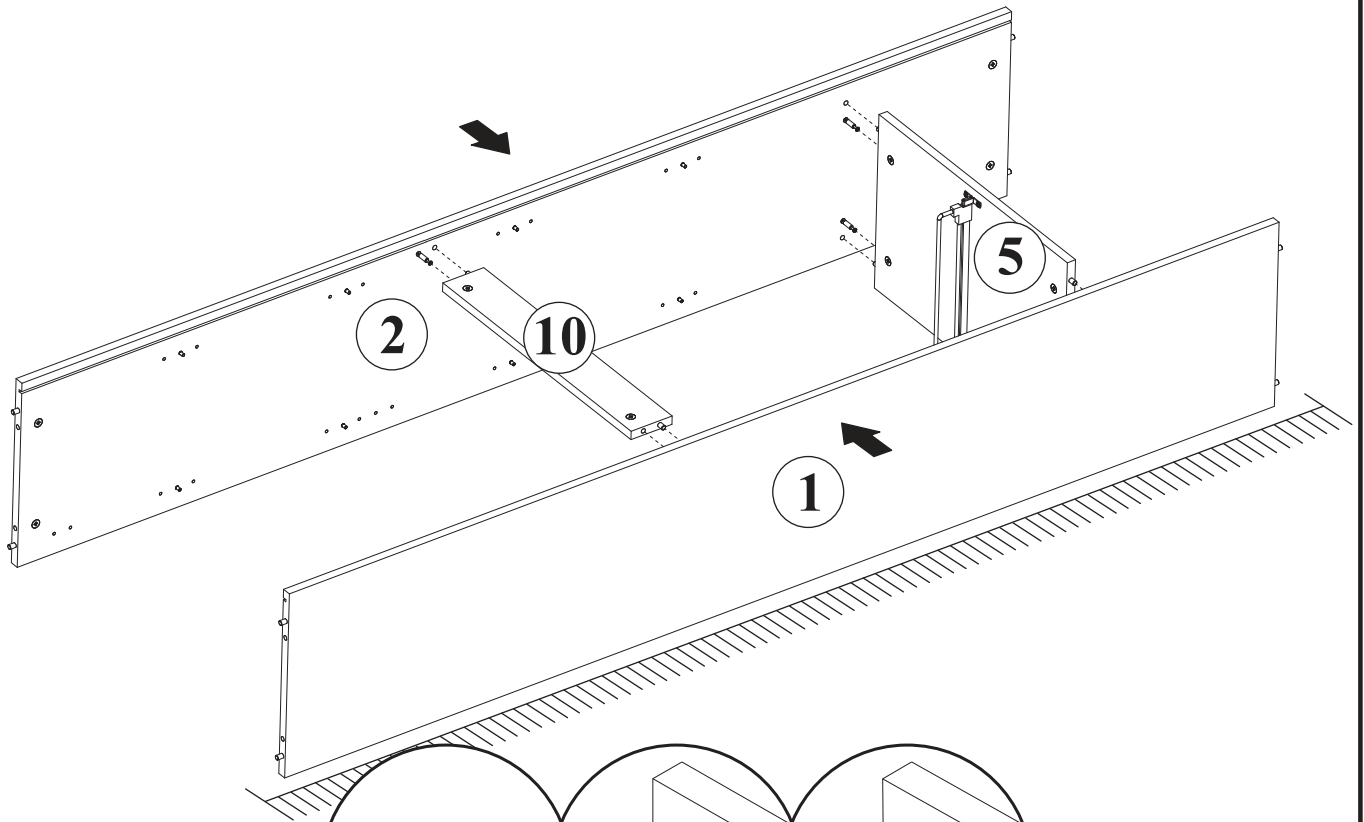
UP17	
x8	UP04x25




G2	
x1	


G5	
x6	

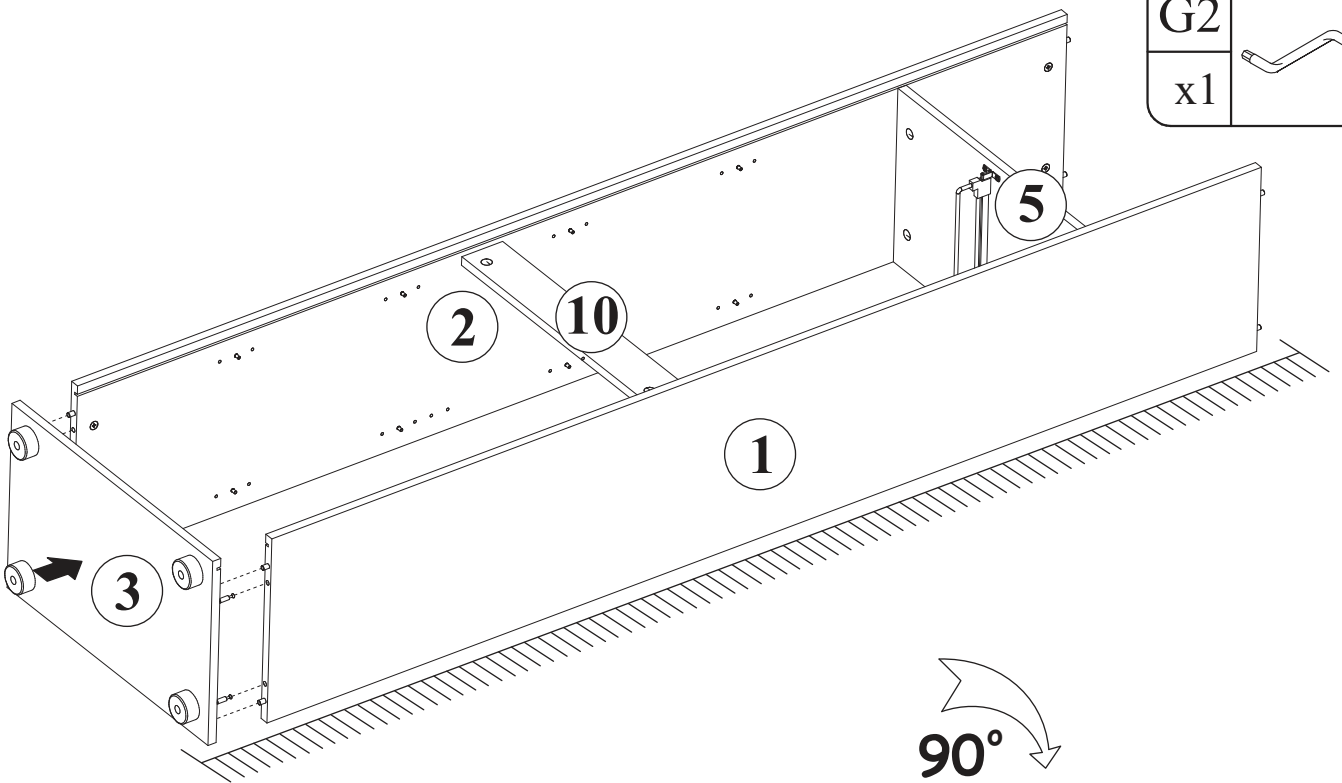
7



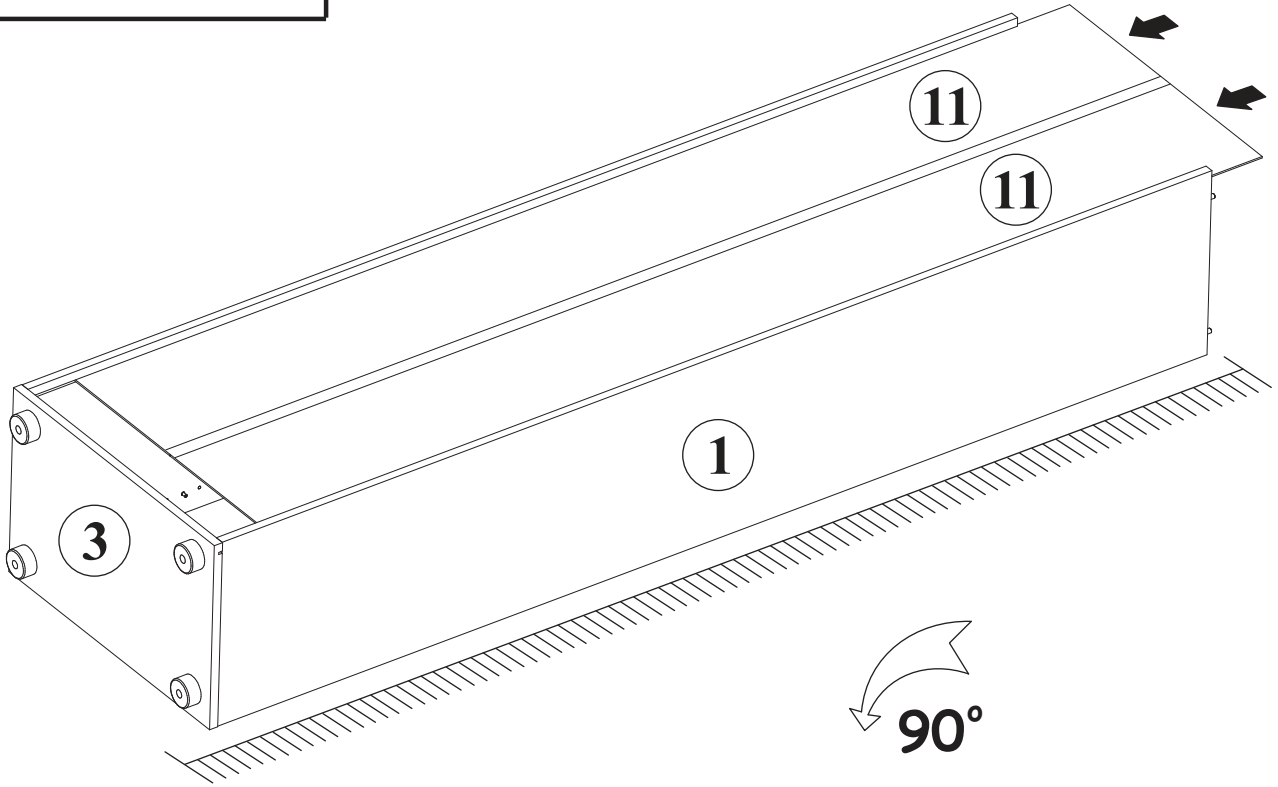
8

G5	
x4	

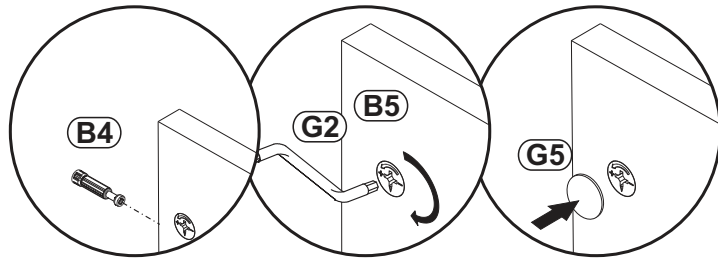
G2	
x1	



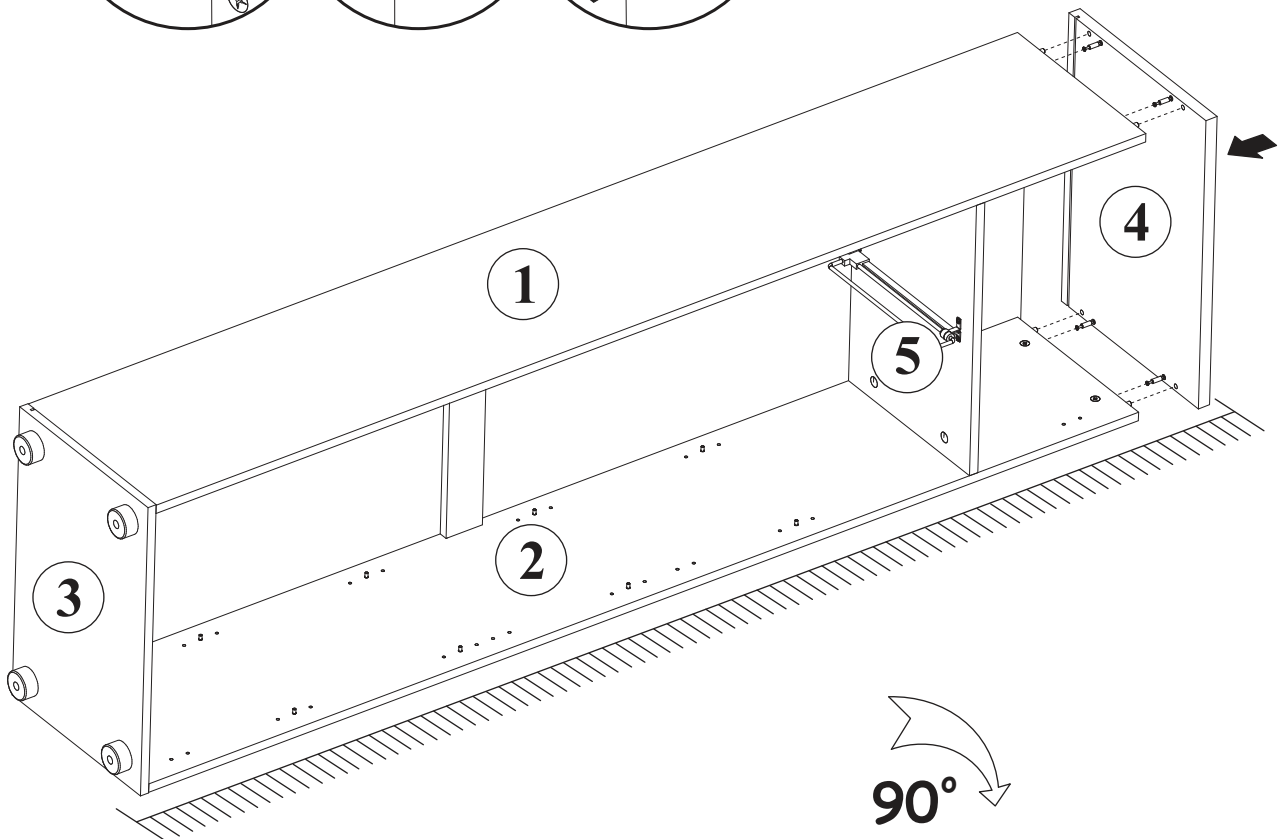
9



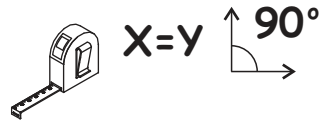
10

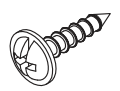


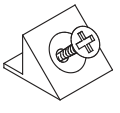
G5	
x4	
G2	
x1	

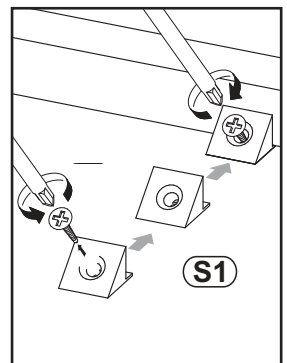
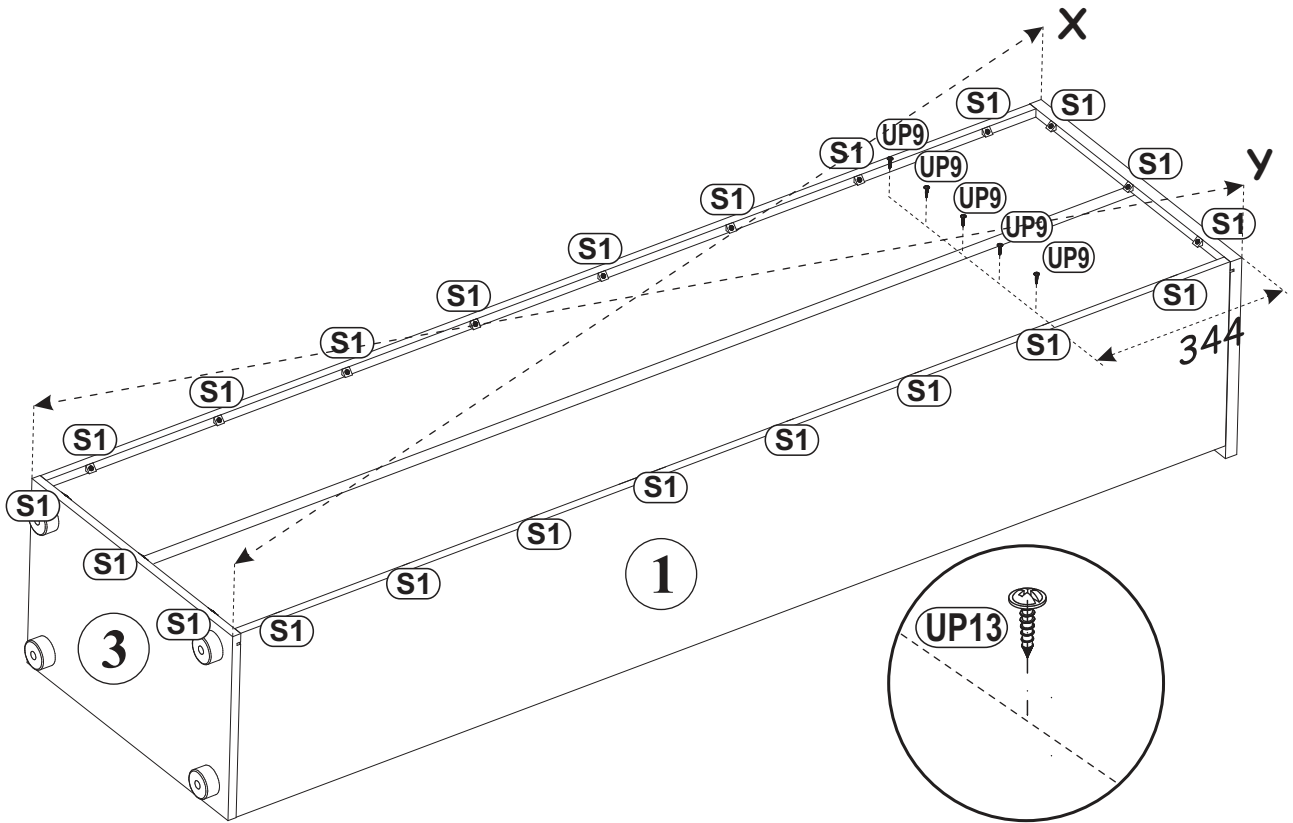



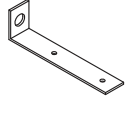
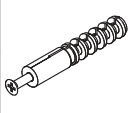
11



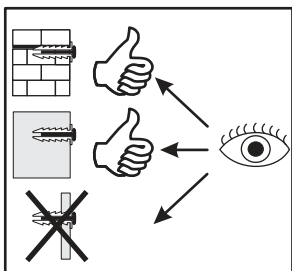
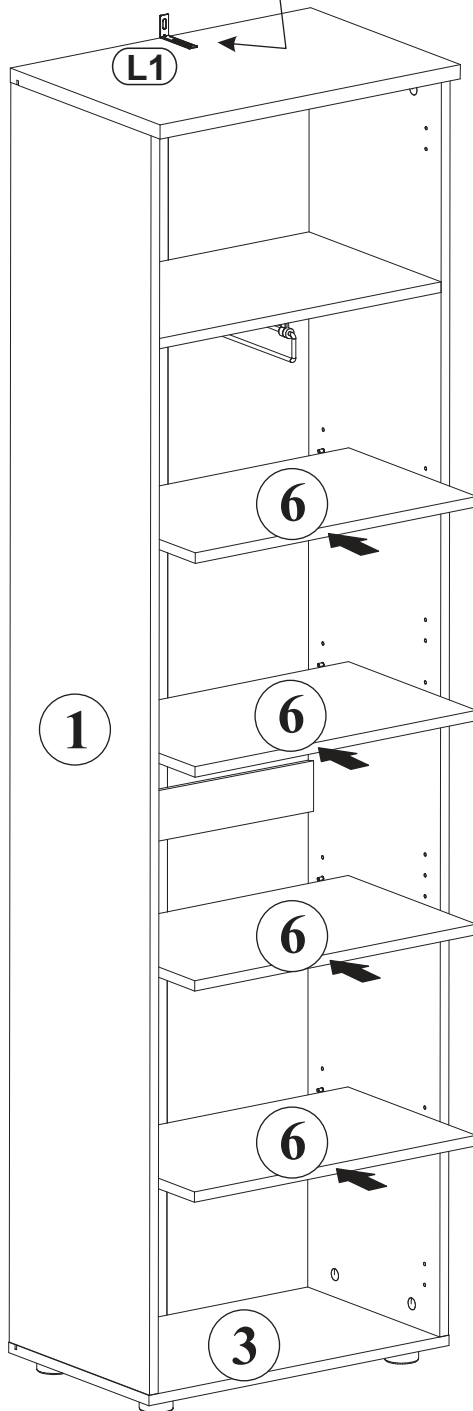
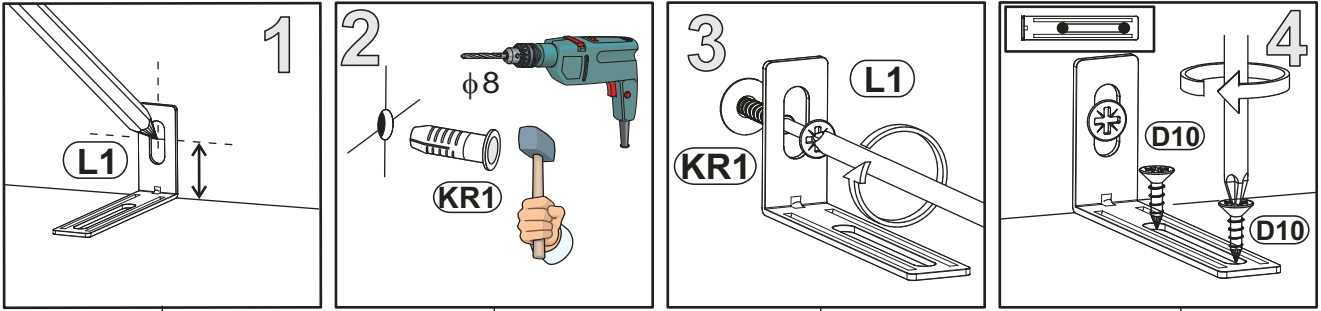
UP9	
x5	UPØ3,5x16

S1	
x22	

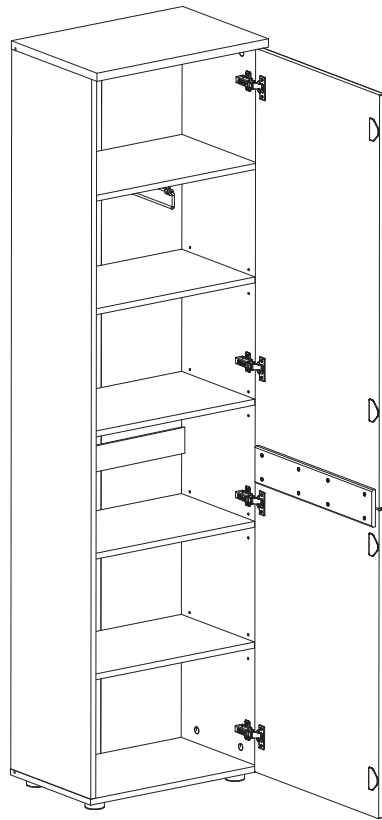


D10		L1		KR1	
x2	USØ3,5x13	x1		x1	

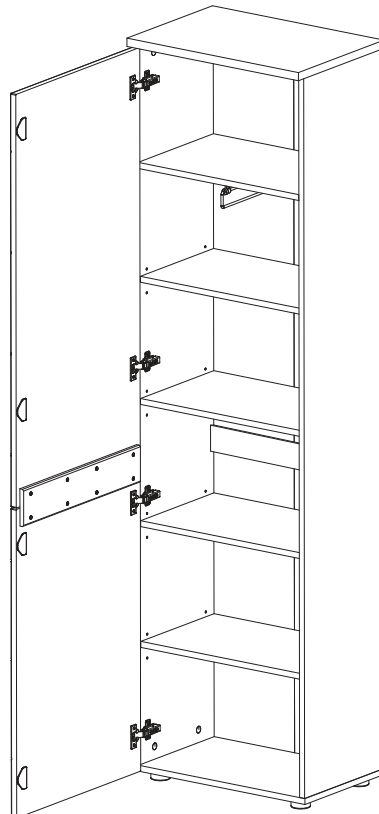
12



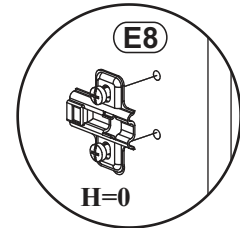
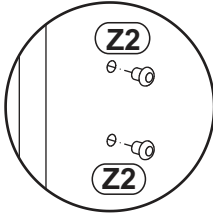
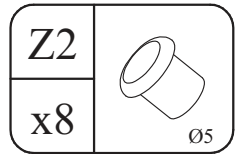
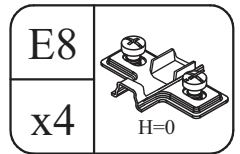
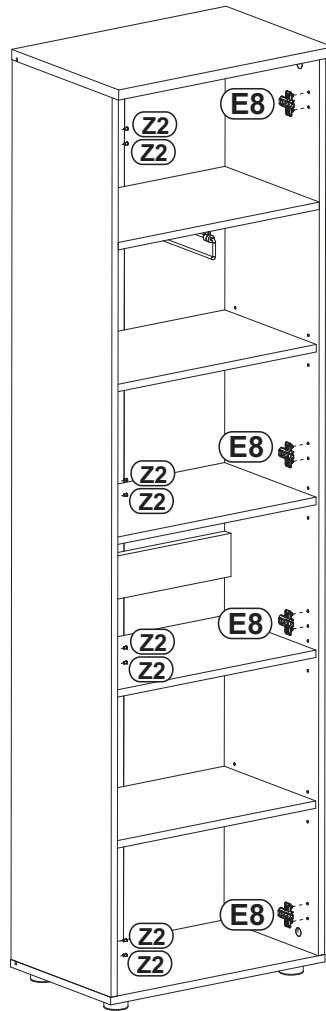
13 - 15



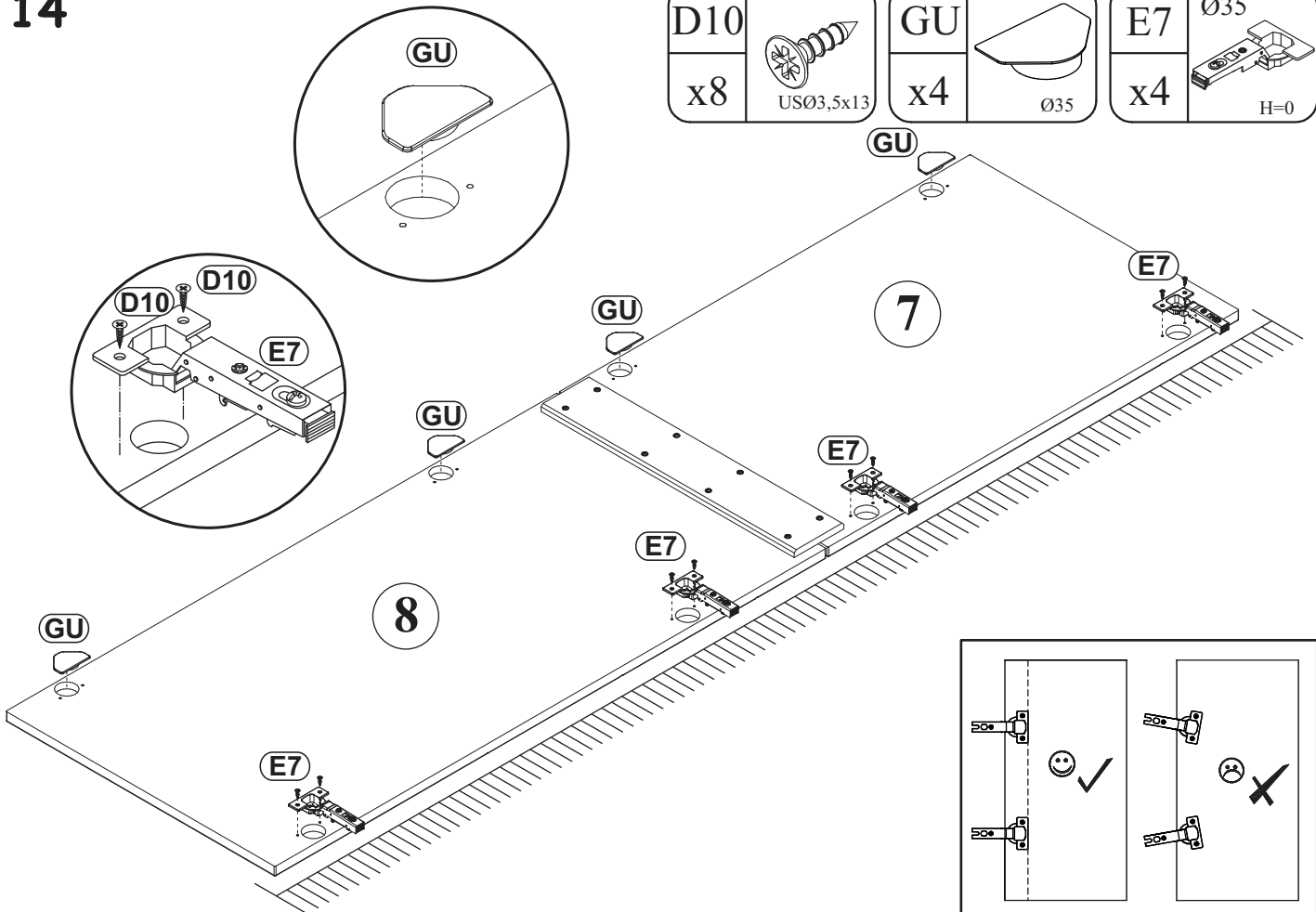
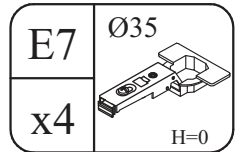
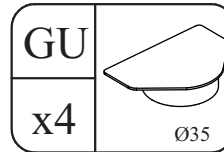
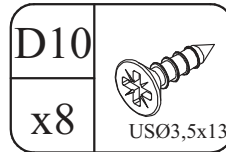
16 - 18



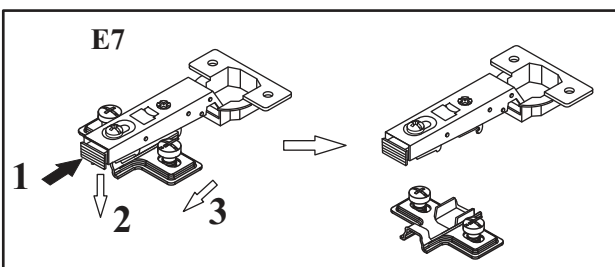
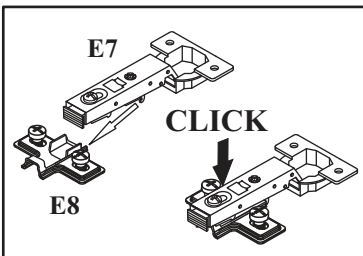
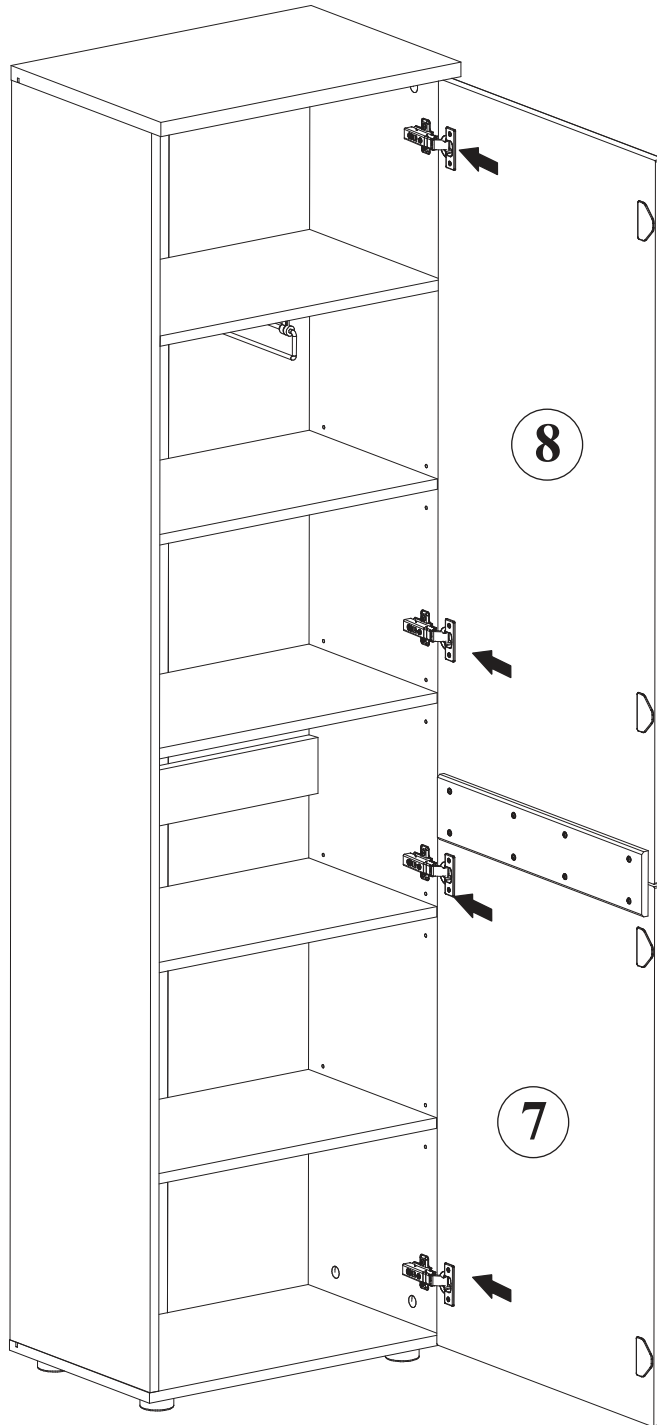
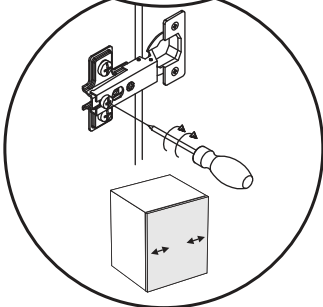
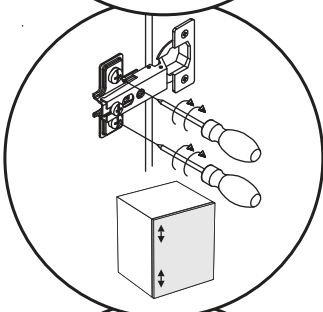
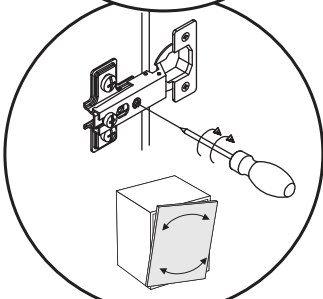
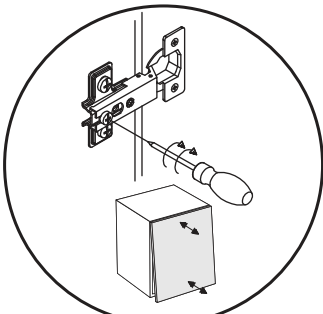
13



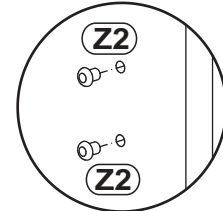
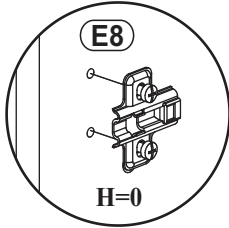
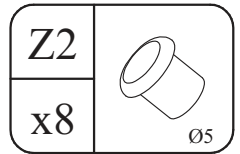
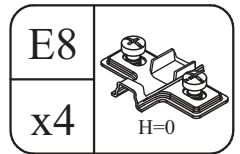
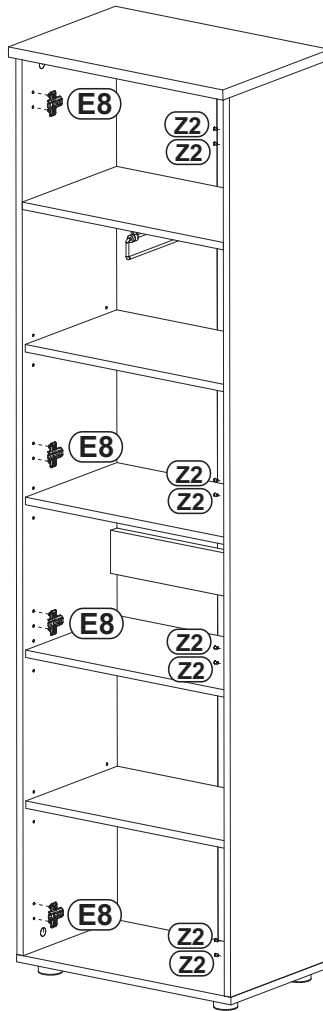
14



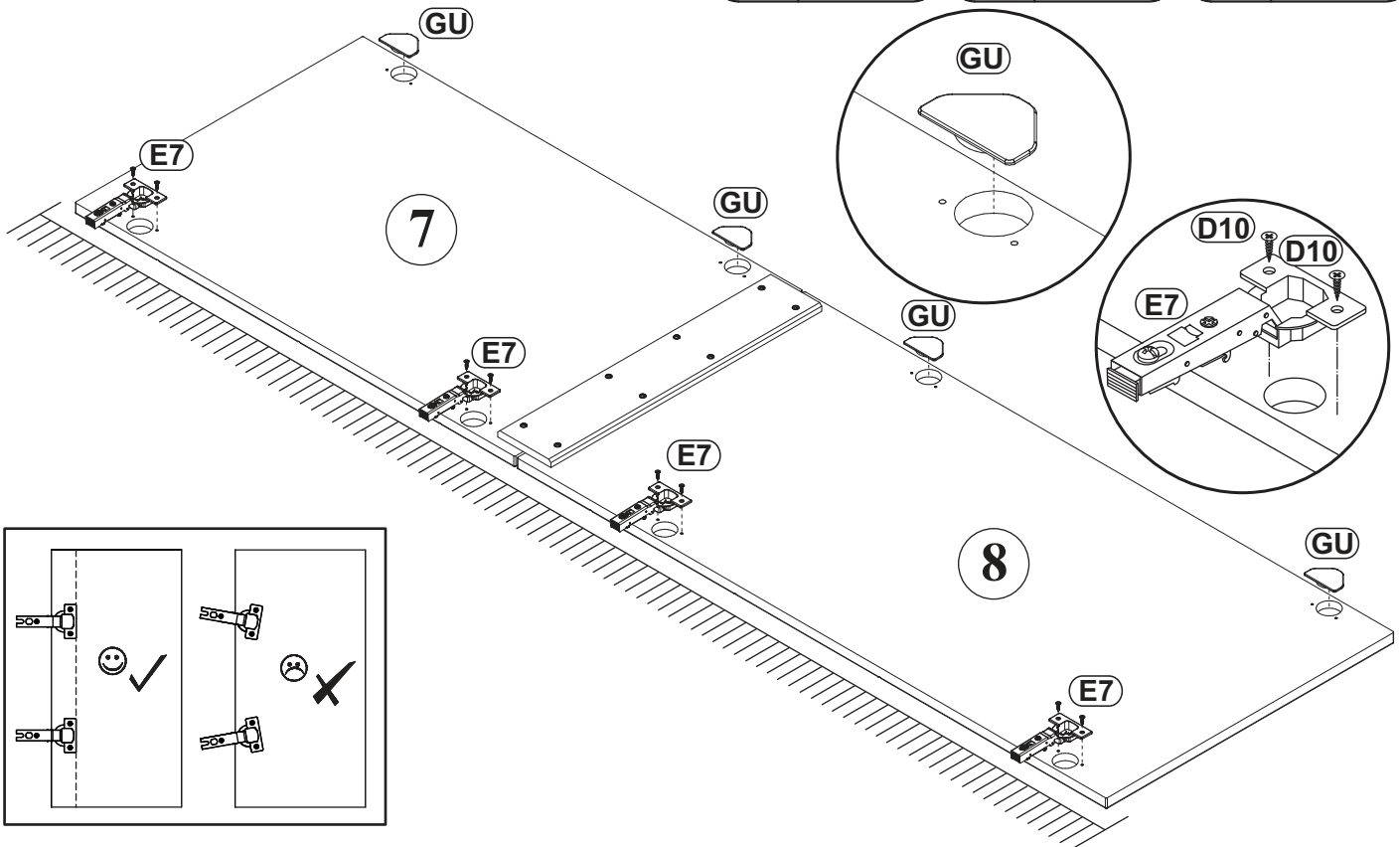
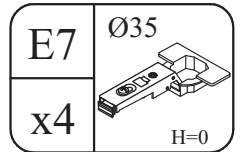
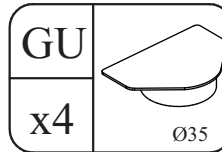
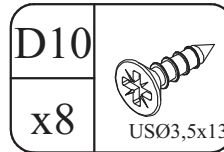
15



16



17



18

